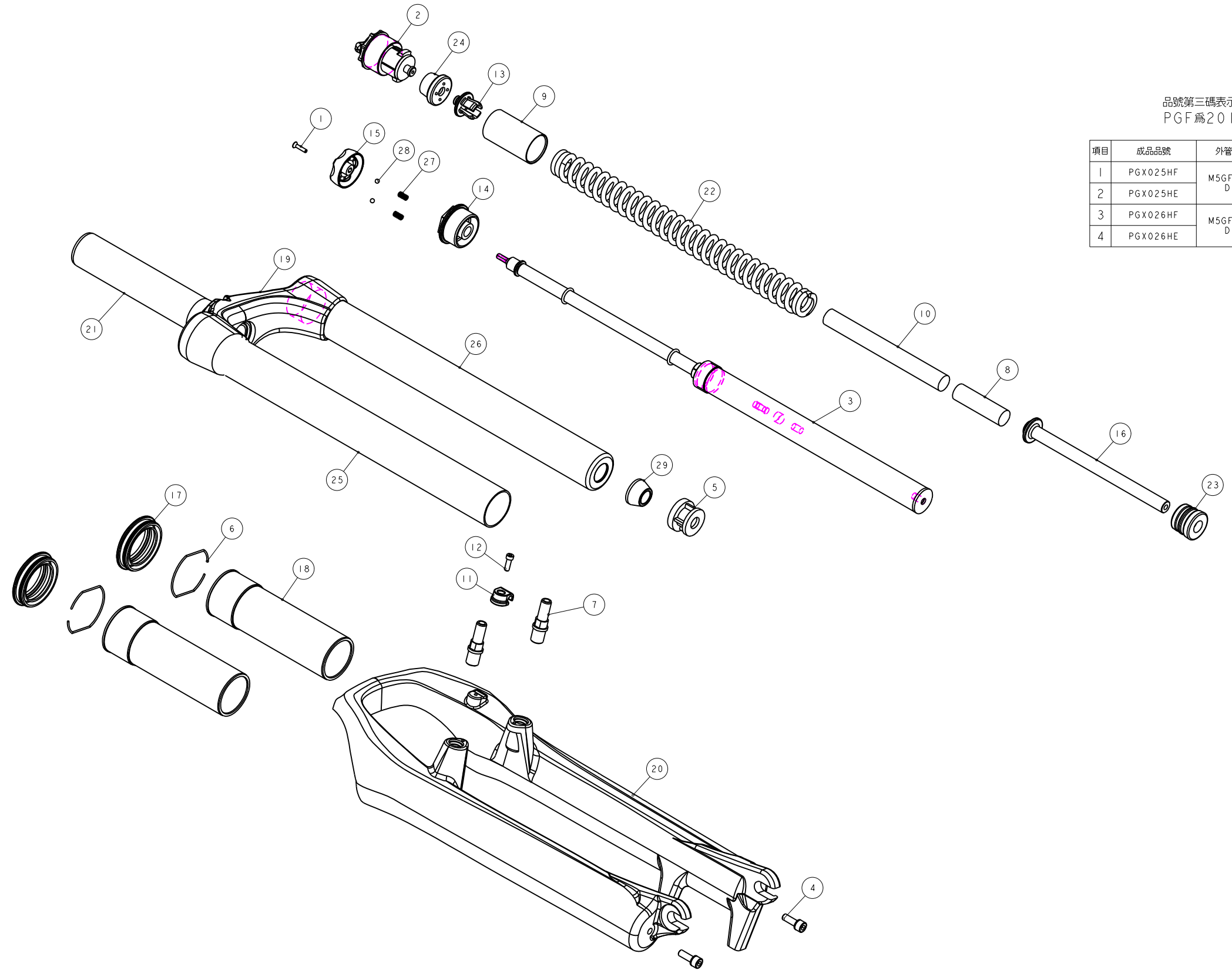


機械加工尺寸一般容許公差				REV.	DATE	DESCRIPTION	CHANGER	CHECK
尺寸	長寬高	尺寸	孔徑	軸徑				
1 <= 10	±0.2	1 <= 10	+0.2 -0	+0 -0.2				
10.001 <= 100	±0.3	10.001 <= 100	+0.3 -0	+0 -0.3				
100.001 <= 250	±0.5	100.001 <= 250	+0.5 -0	+0 -0.5				
250.001 <= 500	±0.8	250.001 <= 500	+1.0 -0	+0 -1.0				
500 <	±1.3	500 <	+1.5 -0	+0 -1.5				



品號第三碼表示年度碼
PGF為2015, PGG為2016, PGH為2017, 以此類推

項目	成品品號	外管替換料件品號	煞車軸	優力膠下座替換料件品號	規格說明
1	PGX025HF	M5GFRZ12-0000 DIRT有軸外管	M5FKD-2723-000	M5GAECC140	有軸·行程100mm·總高480mm
2	PGX025HE			M5GAECC120	有軸·行程80mm·總高460mm
3	PGX026HF	M5GFRZ12-1000 DIRT無軸外管	不使用	M5GAECC140	無軸·行程100mm·總高480mm
4	PGX026HE			M5GAECC120	無軸·行程80mm·總高460mm

29	M5S32-2310-000	PART	緩衝墊	Top-Out Bumper	1	φ21.5X11.5
28	M5K43-2730-000	PART	小鋼珠	Steel ball	2	φ4
27	M5K43-2351-000	PART	彈簧	Spring	2	Pitch 0.85
26	M5GSTAE1315A100	PART	內管	Slanchion	1	φ32x315L-CP#
25	M5GSTAE0315A100	PART	內管	Slanchion	1	φ32x315L-CP#
24	M5GSPB-415-8	PART	緩衝墊	Top-Out Bumper	1	15L
23	M5GSPB-401-5	PART	緩衝墊	Top-Out Bumper	1	φ24X20LX50#
22	M5GSP91260-110	PART	彈簧	Spring	1	
21	M5GRTBA260	ASSEMBLY	轉向管	Steerer	1	
20	M5GFRZ12-0000	PART	外管(DIRT)		1	TBD
19	M5GCR7-FDGA2000	PART	130鋁造頭管座	Crown	1	P130
18	M5GBHEEB1	PART	長塑膠襯套		2	120
17	M5GBHBAEC1	ASSEMBLY	油封	OIL SEAL	2	TBD
16	M5GAECC140	PART	優力膠下座	Compression Rod	1	140L
15	M5GAEAZ034	PART	調整旋轉座	Cap	1	
14	M5GAE0DA291	PART	RA固定座	DT anchorage	1	M29*1.0
13	M5GAE-0PB020	PART	彈簧上座	Spring.Guide	1	
12	M5GAC9-1004	PART	圓頭內六角螺絲	HEX Bolts	1	M3X0.5X10L
11	M5GAC8-0731	PART	鎖式固定夾	Wire Clip	1	For M3x0.5
10	M5FWS-2311-000	PART	定距橡皮(試)	top out spring bumper	1	φ13.8X120L
9	M5FUA-2310-000	PART	彈簧護套	Spring Sheath	1	NBR
8	M5FM2-2311-000	PART	定距橡皮	top out spring bumper	1	φ13.8X48L
7	M5FHJ-2Y70-300	PART	C型加環	pivot	2	M10X1.25
6	M5FHJ-2Y70-300	PART	C型加環	CIW	2	TBD
5	M5FBN-2162-000	PART	外管座	Bottom-out spacer	1	φ25X14.8L
4	M5FA2-2Y12-100	PART	圓頭內六角螺絲	HEX Bolts	2	M5x0.8x15L
3	H5GDP8BD130	ASSEMBLY	RA回彈調整棒	Rebound adjust Assembly	1	
2	H5GAEAB29	ASSEMBLY	調整座組 M29	Adjuster Assembly	1	M29X1.0
1	1022A-02512C-B	PART	六角承窩螺絲(黑)	HEX BOLT	1	M2.5x0.45
NO	PART NO	TYPE	CHINESE NAME	ENGLISH NAME	QTY	NOTE

Bill of material

MATERIAL	ASSEMBLY	Q'TY	1	MODEL	DIRT RA (80/100)		
UNIT	MM	SCALE	0.600	DRAW NO	PGX025HF	rev.	1.0
FASHING		TREAT		NAME	爆炸圖		
DESIGN	DRAWING	CHECK	CONFIG	APPE	RST		