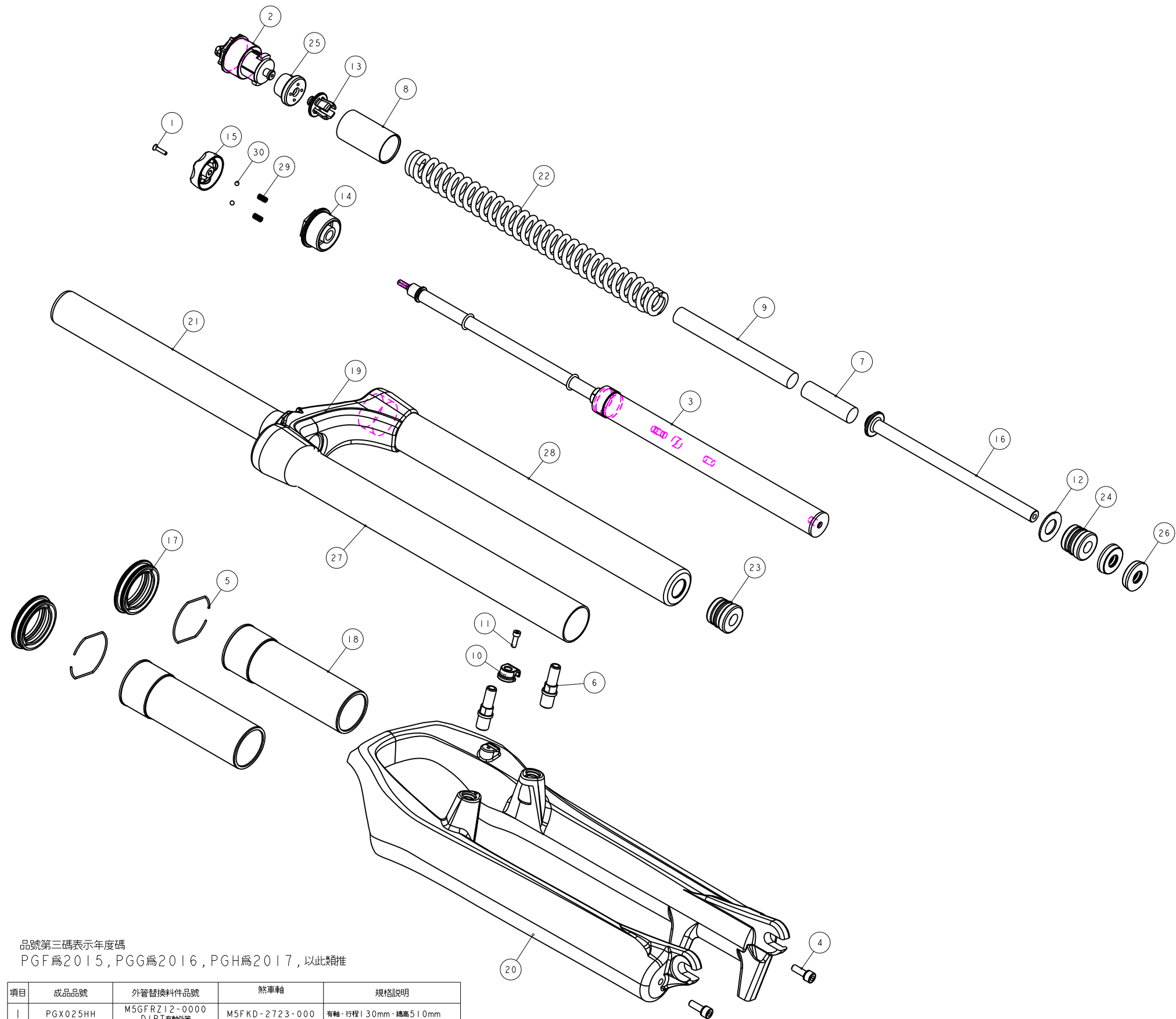


機械加工尺寸一般容許公差				REV.	DATE	DESCRIPTION	CHANGER	CHECK
尺寸	長寬高	尺寸	孔徑	軸徑				
1 <= 10	±0.2	1 <= 10	+0.2 -0	+0 -0.2				
10.001 <= 100	±0.3	10.001 <= 100	+0.3 -0	+0 -0.3				
100.001 <= 250	±0.5	100.001 <= 250	+0.5 -0	+0 -0.5				
250.001 <= 500	±0.8	250.001 <= 500	+1.0 -0	+0 -1.0				
500 <	±1.3	500 <	+1.5 -0	+0 -1.5				



30	M5K43-2730-000	PART	小鋼珠	Steel ball	2	φ4
29	M5K43-2351-000	PART	彈簧	Spring	2	Pitch 0.85
28	M5GSTAE1325A100	PART	內管	Stanchion	1	φ32x325L-CP#
27	M5GSTAE0325A100	PART	內管	Stanchion	1	φ32x325L-CP#
26	M5GSPB-5006-2	PART	緩衝墊	Top-Out Bumper	2	φ24Xφ10.5X6L
25	M5GSPB-415-8	PART	緩衝墊	Top-Out Bumper	1	15L
24	M5GSPB-401-5	PART	緩衝墊	Top-Out Bumper	1	φ24X20LX50#
23	M5GSPB-401	PART	緩衝墊	Top-Out Bumper	1	φ24X20LX40#
22	M5GSP91260-110	PART	彈簧	Spring	1	
21	M5GRTG26000-1	PART	轉向管	STEERER	1	φ28.6 260L
20	M5GFRZ12-0000	PART	外管(DIRT)		1	TBD
19	M5GCR7-FDGA2000	PART	130鍛造頭管座	Crown	1	P130
18	M5GBHEEB1	PART	長塑膠襯套		2	120
17	M5GBHBAEC1	ASSEMBLY	油封	OIL SEAL	2	TBD
16	M5GAEC170	PART	優力膠下座	Compression Rod	1	170L
15	M5GAEAZ034	PART	調整旋轉座	Cap	1	
14	M5GAEOA291	PART	RA固定座	DI anchorage	1	M29φ1.0
13	M5GAE-OPB020	PART	彈簧上座	Spring,Guide	1	
12	M5GACB0602-02	PART	墊片		1	063744
11	M5GAC9-1004	PART	圓頭內六角螺栓	HEX Bolts	1	M3X0.5X10L
10	M5GAC8-0731	PART	鎖式固定夾	Wire Clip	1	For M3x0.5
9	M5FWS-2311-000	PART	定距橡皮(試)	top out spring bumper	1	φ13.8X120L
8	M5FUA-2310-000	PART	彈簧護套	Spring Sheath	1	NBR
7	M5FM2-2311-000	PART	定距橡皮	top out spring bumper	1	φ13.8X48L
6	M5FKD-2723-000	PART	煞車軸	pivot	2	M10X1.25
5	M5FHJ-2Y70-300	PART	C型扣環	CTW	2	TBD
4	M5FA2-2Y12-100	PART	圓頭內六角螺栓	HEX Bolts	2	M5x0.8x15L
3	H5GDP8BD130	ASSEMBLY	RA回彈調整棒	Rebound adjust Assembly	1	
2	H5GAEAB29	ASSEMBLY	調整座組 M29	Adjuster Assembly	1	M29x1.0
1	I022A-02512C-B	PART	六角承窩螺絲(黑)	HEX BOLT	1	M2.5x0.45
NO	PART NO	TYPE	CHINESE NAME	ENGLISH NAME	QTY	NOTE

Bill of material

MATERIAL	Assembly	QTY	1	MODEL	DIRT RA (130)		
UNIT	MM	SCALE	0.600	DRAW NO	PGX025HH	rev.	1.0
FASHING		TREAT		NAME	爆炸圖		
DESIGN	DRAWING	CHECK	CONFIG	APPE	RST		

品號第三碼表示年度碼
PGF為2015, PGG為2016, PGH為2017, 以此類推

項目	成品品號	外管替換料件品號	煞車軸	規格說明
1	PGX025HH	M5GFRZ12-0000 DIRT有軸外管	M5FKD-2723-000	有軸、行程130mm、總高510mm
4	PGX026HH	M5GFRZ12-1000 DIRT無軸外管	不使用	無軸、行程130mm、總高510mm