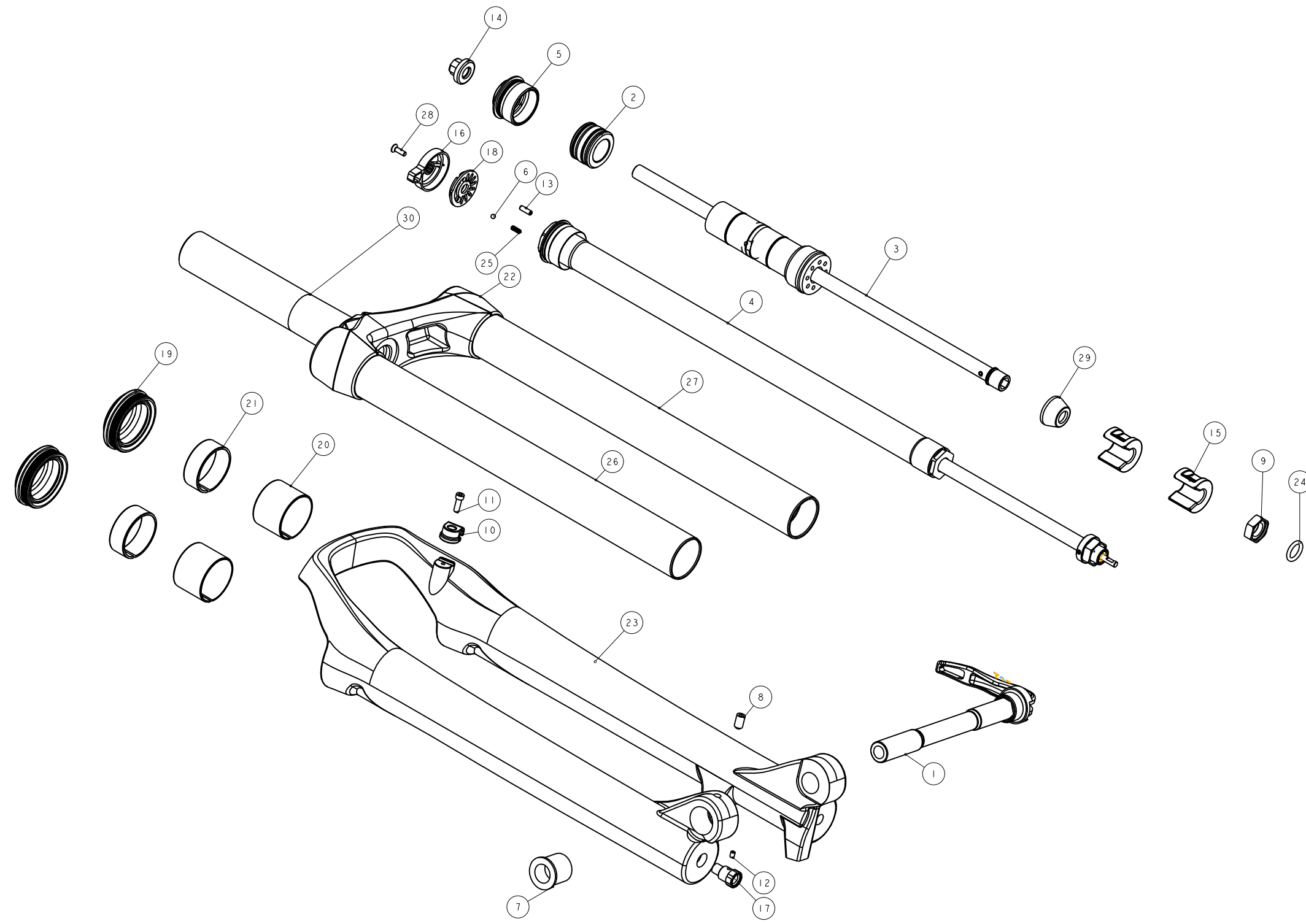


機械加工尺寸一般容許公差					REV.	DATE	DESCRIPTION	CHANGER	CHECK
尺寸	長寬高	尺寸	孔徑	軸徑	△	7 Jul '14	使用新版 15 軸心及固定螺	廖慶豐	
1 < 10	±0.2	1 < 10	+0.2 -0.2	+0 -0.2	△	08 JUN '15	H5GACE1206-H5GACE1206-2	許勝強	
10.001 < 100	±0.3	10.001 < 100	+0.3 -0.3	+0 -0.3					
100.001 < 250	±0.5	100.001 < 250	+0.5 -0.5	+0 -0.5					
250.001 < 500	±0.8	250.001 < 500	+1.0 -0.8	+1.0 -1.0					
500 <	±1.3	500 <	+1.5 -1.3	+1.5 -1.5					



備註：此圖面與下列成品品號共用
除優力膠下座組須依表替換外，其餘零件皆共用

項目	成品品號	優力膠下座組替換品號	規格說明
1	PGF054FG-	H5GAECA327	無軸·總高530mm·行程120mm
2	PGF054FF-	H5GAECA327-1	無軸·總高510mm·行程100mm
3	PGF054FE-	H5GAECA327-2	無軸·總高490mm·行程80mm

30	MFBV-286-900	PART	轉向管		1	備註
29	M5S32-2310-000	PART	緩衝墊	Top-Out Bumper	1	φ21.5X11.5
28	M5R22-2Y11-100	PART	埋頭小螺絲	bolt	1	M3X0.5
27	M5GST2EA329H100	PART	輕量內管(氣邊)		1	328.6L
26	M5GST2EA329H200	PART	輕量內管(下無牙)		1	328.6L
25	M5GSPC2007-013	PART	彈簧	Spring	1	0.32x2.9x7
24	M5GOR8-240-1080	PART	O-RING	O-Ring	1	
23	M5GFRJCS-1200	PART	29-15 外管(三大)		1	2*
22	M5GCRC1FDZA2000	PART	2' FIRST 29 頭管座	Crown	1	
21	M5GBHCAEA-U	PART	上襯套(鋁)	Up Bushing	2	
20	M5GBHCAEA-D	PART	下襯套(鋁)	Lower Bushing	2	
19	M5GBH8CEC1	ASSEMBLY	油封		2	TBD
18	M5GAECES274	PART	鎖死調整座墊片	shim	1	073059-01
17	M5GAECBA010	PART	OCRC 回彈調整旋鈕		1	
16	M5GAEBTN38-1	PART	鎖死調整座	OCR KNOBS	1	073060
15	M5GAE9JP131	PART	外管座	Bottom-out spacer	2	
14	M5GAE9DA183	PART	氣閘蓋	Air Cap	1	TBD
13	M5GACC1109-01	PART	定位銷		1	3.5x9.5
12	M5GACC0930-01	PART	止付螺絲	Grub screw	1	M3X4L
11	M5GAC9-1004	PART	圓頭內六角螺絲	HEX Bolts	1	M3X0.5X10L
10	M5GAC8-0731	PART	鎖式固定夾	Wire Clip	1	For M3x0.5
9	M5GAC66	PART	六角杯型螺帽	Nut	1	M5X0.8x4.8mm
8	M5GAC06010	PART	迫緊螺絲	Bolt	1	
7	M5GAC00212-1	PART	固定螺	Bolt	1	
6	M5FLX-2730-000	PART	鋼珠	Steel ball	1	TBD
5	H5GDPCC245	ASSEMBLY	輕量氣閘座組		1	
4	H5GDPCBE322-1	ASSEMBLY	OCRC 油壓棒		1	
3	H5GAECA327	ASSEMBLY	輕量優力膠下座組		1	
2	H5GAE0LP32	ASSEMBLY	活塞組	Air Piston	1	
1	H5GACE1206-2	ASSEMBLY	15 軸心		1	

Bill of material						
MATERIAL	ASSEMBLY	Q'TY	1	MODEL	15'CHAMP 29.15 AIR(80/100/120)	
UNIT	MM	SCALE	0.650	DRAW NO	PGF054FG-	rev. 1.2
FASHING		TREAT		NAME	爆炸圖	
DESIGN	DRAWING	CHECK	CONFIG	APPE	RST	