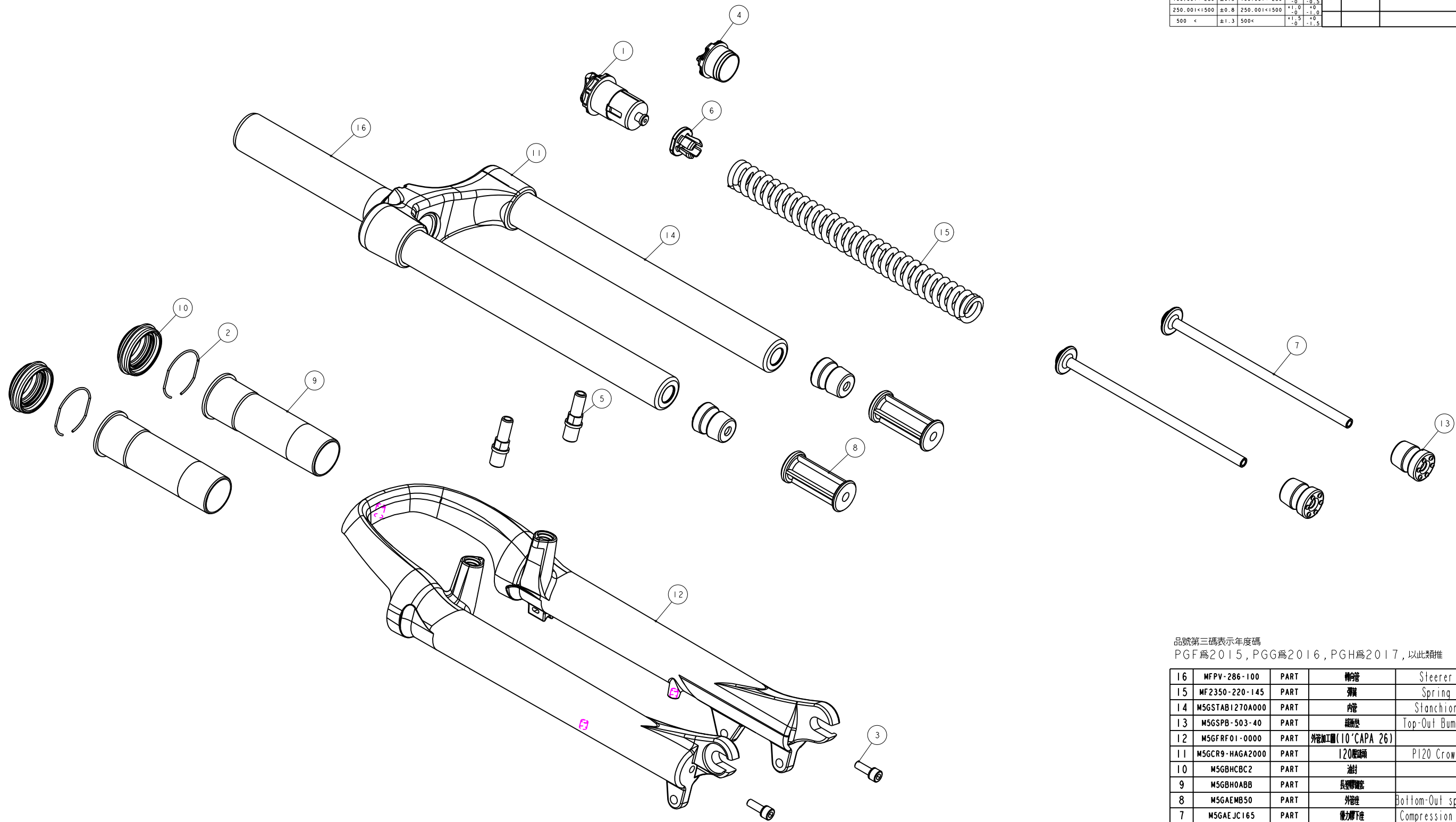


機械加工尺寸一般容許公差					REV.	DATE	DESCRIPTION	CHANGER	CHECK
尺寸	長寬高	尺寸	孔徑	軸徑					
1 < 10	±0.2	1 < 10	+0.2 -0.3	+0 -0.2					
10.001 < 100	±0.3	10.001 < 100	+0.3 -0.4	+0 -0.3					
100.001 < 250	±0.5	100.001 < 250	+0.5 -0.6	+0 -0.5					
250.001 < 500	±0.8	250.001 < 500	+1.0 -1.0	+0 -1.0					
500 <	±1.3	500 <	+1.5 -1.5	+0 -1.5					



品號第三碼表示年度碼
PGF為2015, PGG為2016, PGH為2017, 以此類推

NO	PART NO	TYPE	CHINESE NAME	ENGLISH NAME	QTY	NOTE
16	MFPV-286-100	PART	轉向管	Steerer	1	φ28.6
15	MF2350-220-145	PART	彈簧	Spring	1	220L
14	M5GSTAB1270A000	PART	內管	Stanchion	2	φ25.4
13	M5GSPB-503-40	PART	緩沖墊	Top-Out Bumper	4	φ40
12	M5GFRF01-0000	PART	外管加工圈(10°CAPA 26)		1	P120
11	M5GCR9-HAGA2000	PART	120°壓頂	P120 Crown	1	P120.25.4
10	M5GBHCBC2	PART	油封		2	∅35.6X∅35.116H
9	M5GBHOABB	PART	長螺絲帽		2	100L
8	M5GAEMB50	PART	外管座	Bottom-Out spacer	2	50L
7	M5GAEJC165	PART	壓力桿下座	Compression Rod	2	165L
6	M5GAE-0PB021	PART	彈簧座	Spring Guide	1	
5	M5FKD-2723-000	PART	螺絲軸	pivot	2	M10x1.25
4	M5FH2-2340-000	PART	防塵蓋	Dust cap	1	PVC
3	M5FA2-2Y12-100	PART	六角螺絲	HEX Bolts	2	M5x0.8x15L
2	M5FA1-2Y71-000	PART	C形扣環		2	∅31X∅1.2
1	M5FNA-2162-100	ASSEMBLY	調整螺絲 2006	Adjuster Assembly	1	M23.5x1.0

Bill of material

MATERIAL	Assembly	QTY	1	MODEL	CAPA T-26" (80)
UNIT	MM	SCALE	0.750	DRAW NO	PGX033AE rev. 1.0
FASHING		TREAT		NAME	爆炸圖
DESIGN	DRAWING	CHECK	CONFIG	APPE	RST