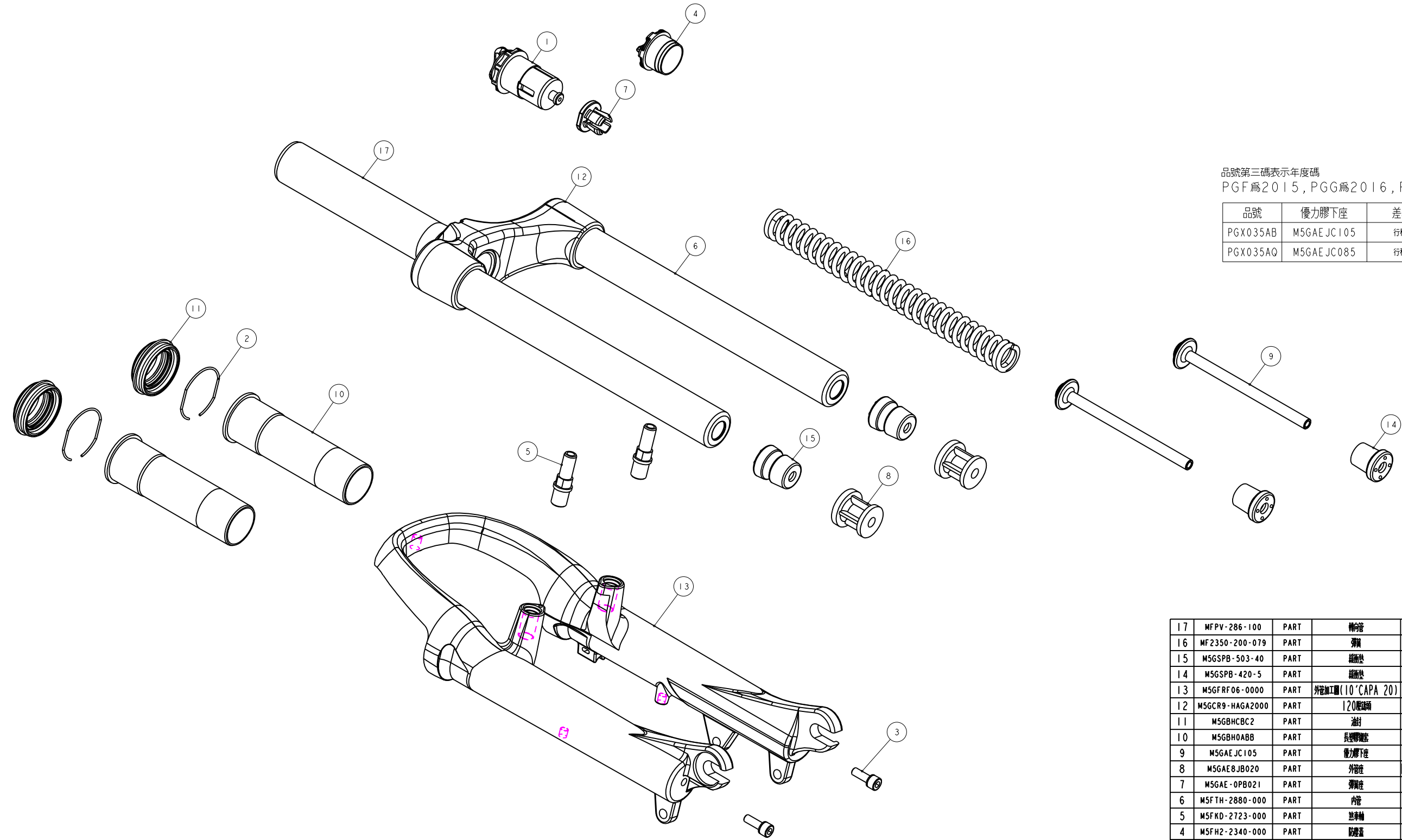


機械加工尺寸一般容許公差					REV.	DATE	DESCRIPTION	CHANGER	CHECK
尺寸	長寬高	尺寸	孔徑	軸徑					
1 <= 10	±0.2	1 <= 10	+0.2 -0.3	+0.2 -0.2					
10.001 <= 100	±0.3	10.001 <= 100	+0.3 -0.4	+0.3 -0.3					
100.001 <= 250	±0.5	100.001 <= 250	+0.5 -0.6	+0.5 -0.5					
250.001 <= 500	±0.8	250.001 <= 500	+1.0 -1.0	+1.0 -1.0					
500 <	±1.3	500 <	+1.5 -1.5	+1.5 -1.5					



品號第三碼表示年度碼
PGF為2015, PGG為2016, PGH為2017, 以此類推

品號	優力膠下座	差異性
PGX035AB	M5GAEJC105	行程50
PGX035AQ	M5GAEJC085	行程30

17	MFPV-286-100	PART	軸管	Steerer	1	ø28.6
16	MF2350-200-079	PART	彈簧	Spring	1	200L
15	M5GSPB-503-40	PART	緩衝墊	Top-Out Bumper	2	ø40
14	M5GSPB-420-5	PART	緩衝墊	Top-Out Bumper	2	20L
13	M5GFRF06-0000	PART	外管加工車(10°CAPA 20)		1	P120
12	M5GCR9-HAGA2000	PART	120度錐輪	P120 Crown	1	P120, 25.4
11	M5GBHCBC2	PART	油封		2	ø35.6xø35.1x6H
10	M5GBHOABB	PART	長螺絲膠套		2	100L
9	M5GAEJC105	PART	優力膠下座	Compression Rod	2	105L
8	M5GAEJB020	PART	外管座	Bottom-Out spacer	2	23L
7	M5GAE-0PB021	PART	彈簧座	Spring Guide	1	
6	M5FTH-2880-000	PART	內管	Stanchion	2	ø25.4x245L
5	M5FKD-2723-000	PART	螺絲軸	pivot	2	M10x1.25
4	M5FH2-2340-000	PART	防塵蓋	Dust cap	1	PVC
3	M5FA2-2Y12-100	PART	螺絲六角螺絲	HEX Bolts	2	M5x0.8x15L
2	M5FA1-2Y71-000	PART	C形螺絲		2	ø31xø1.2
1	M5FNA-2162-100	ASSEMBLY	調整螺絲 2006	Adjuster Assembly	1	M23.5x1.0
NO	PART NO	TYPE	CHINESE NAME	ENGLISH NAME	QTY	NOTE

Bill of material

MATERIAL	Assembly	QTY	1	MODEL	CAPA T-20"(30/50)	
UNIT	MM	SCALE	0.800	DRAW NO	PGX035AB	rev. 1.0
FASHING		TREAT		NAME	爆炸圖	
DESIGN	DRAWING	CHECK	CONFIG	APPE	RST	