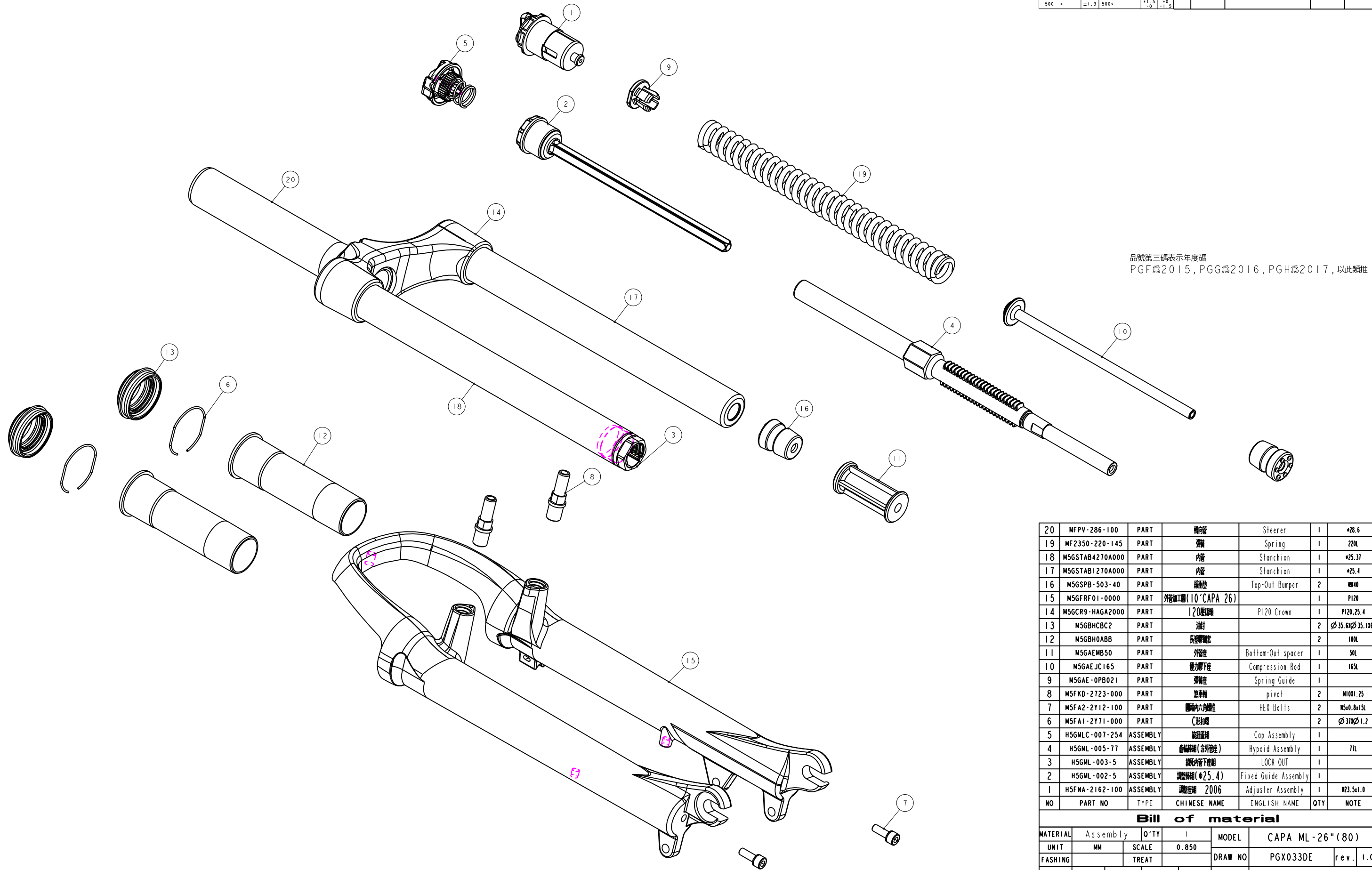


機械加工尺寸一般容許公差					REV.	DATE	DESCRIPTION	CHANGER	CHECK
尺寸	長寬高	尺寸	孔徑	軸徑					
1 <= 10	±0.2	1 <= 10	+0.2 -0.3	+0 -0.2					
10.001 <= 100	±0.3	10.001 <= 100	+0.3 -0.4	+0 -0.3					
100.001 <= 250	±0.5	100.001 <= 250	+0.5 -0.6	+0 -0.5					
250.001 <= 500	±0.8	250.001 <= 500	+1.0 -1.0	+0 -1.0					
500 <	±1.3	500 <	+1.5 -1.5	+0 -1.5					



品號第三碼表示年度碼
PGF為2015, PGG為2016, PGH為2017, 以此類推

20	MFPV-286-100	PART	轉向管	Steerer	1	ø28.6
19	MF2350-220-145	PART	彈簧	Spring	1	220L
18	M5GSTAB4270A000	PART	內管	Stanchion	1	ø25.37
17	M5GSTAB1270A000	PART	內管	Stanchion	1	ø25.4
16	M5GSPB-503-40	PART	緩衝墊	Top-Out Bumper	2	ø40
15	M5GFRF01-0000	PART	外管加工蓋(10°CAPA 26)		1	P120
14	M5GCR9-HAGA2000	PART	120度球帽	P120 Crown	1	P120.25.4
13	M5GBHBC2	PART	油封		2	ø35.6xø35.1x6H
12	M5GBHOABB	PART	長螺絲帽		2	100L
11	M5GAEMB50	PART	外管座	Bottom-Out spacer	1	50L
10	M5GAEJC165	PART	壓力桿下座	Compression Rod	1	165L
9	M5GAE-0PB021	PART	彈簧座	Spring Guide	1	
8	M5FKD-2723-000	PART	旋轉軸	pivot	2	M10x1.25
7	M5FA2-2Y12-100	PART	圓六角螺絲	HEX Bolts	2	M5x0.8x15L
6	M5FA1-2Y71-000	PART	C形環		2	ø37xø1.2
5	H5GMLC-007-254	ASSEMBLY	旋轉蓋帽	Cap Assembly	1	
4	H5GML-005-77	ASSEMBLY	齒輪組(含外管座)	Hypoid Assembly	1	77L
3	H5GML-003-5	ASSEMBLY	鎖死管下座組	LOCK OUT	1	
2	H5GML-002-5	ASSEMBLY	調整管組(ø25.4)	Fixed Guide Assembly	1	
1	H5FNA-2162-100	ASSEMBLY	調整管組 2006	Adjuster Assembly	1	M23.5x1.0
NO	PART NO	TYPE	CHINESE NAME	ENGLISH NAME	QTY	NOTE

Bill of material

MATERIAL	Assembly	QTY	1	MODEL	CAPA ML-26" (80)	
UNIT	MM	SCALE	0.850	DRAW NO	PGX033DE	rev. 1.0
FASHING		TREAT		NAME	爆炸圖	
DESIGN	DRAWING	CHECK	CONFIG	APPE	RST	