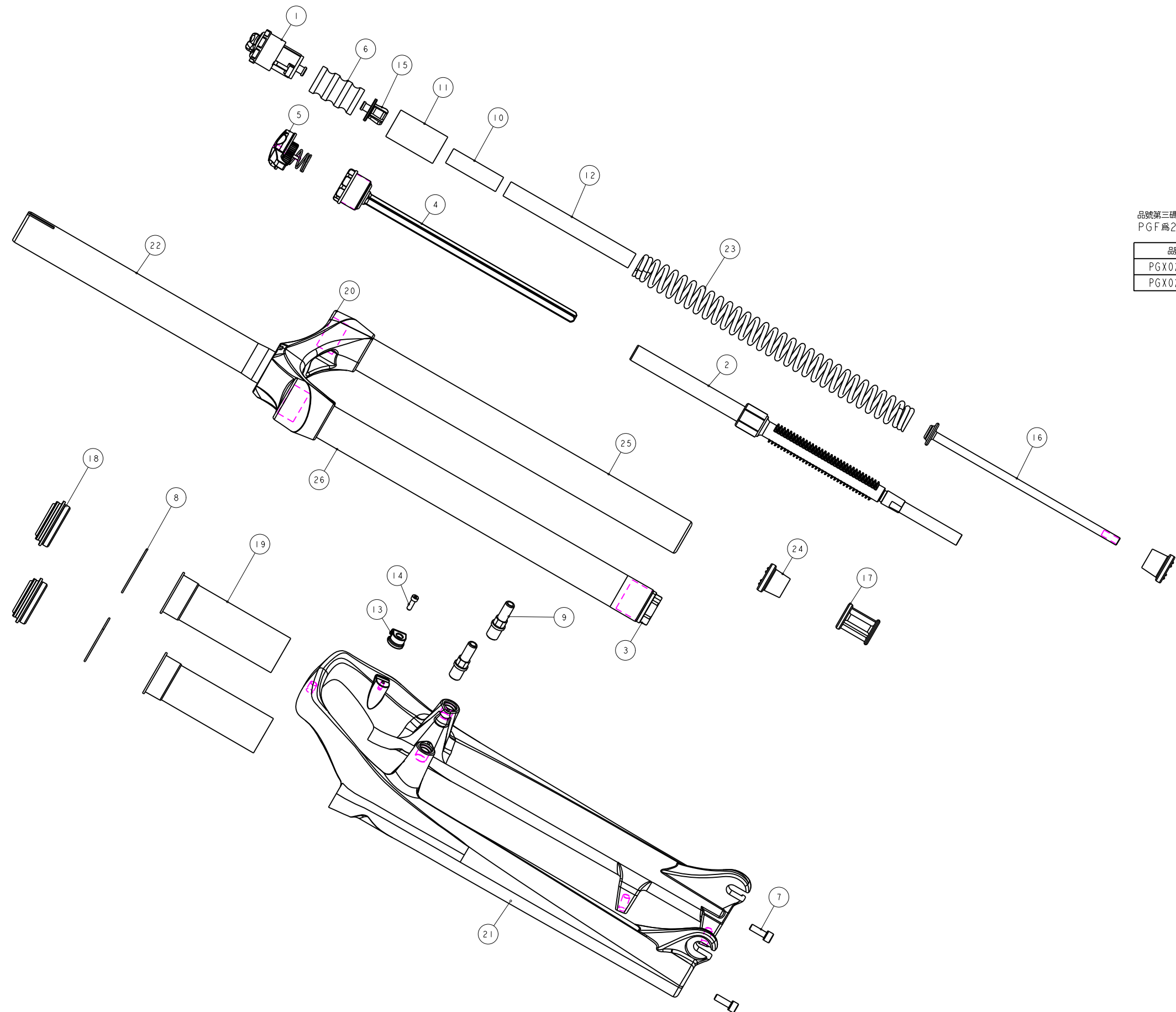


機械加工尺寸一般容許公差					REV.	DATE	DESCRIPTION	CHANGER	CHECK
尺寸	長寬高	尺寸	孔徑	軸徑					
1 < 10	±0.2	1 < 10	+0.2 -0.2	+0 -0.2					
10.001 < 100	±0.3	10.001 < 100	+0.3 -0.3	+0 -0.3					
100.001 < 250	±0.5	100.001 < 250	+0.5 -0.5	+0 -0.5					
250.001 < 500	±0.8	250.001 < 500	+1.0 -0.8	+1.0 -1.0					
500 <	±1.3	500 <	+1.5 -1.3	+1.5 -1.5					



品號第三碼表示年度碼  
PGF為2015, PGG為2016, PGH為2017, 以此類推

品號	煞車軸	外管	規格說明
PGX027DG	M5FKD-2723-000	M5GFRJC2-0000	有軸 行程120mm 總高530
PGX028DG	不使用	M5GFRJC2-1000	無軸 行程120mm 總高530

26	M5GSTAD4345A000	PART	內管	Stanchion	1	Φ30X345L
25	M5GSTAD1345A000	PART	內管		1	Φ30X345L
24	M5GSPB-420-8	PART	緩衝墊	Top-Out Bumper	2	
23	M5GSP91260-110	PART	彈簧	Spring	1	
22	M5GRTG26000-1	PART	轉向管	STEERER	1	Φ28.6 260L
21	M5GFRJC2-0000	PART	2012 BLAZE29 外管		1	總高2大
20	M5GRCR1FCGA2000	PART	12"BLAZE29 鋼管	Crown	1	
19	M5GBHEDB1-1	PART	長型膠襯套	Bush	2	120
18	M5GBH8CDC2	ASSEMBLY	油封	oil seal	2	Φ30內管
17	M5GAEMB30	PART	外管座	Bottom-Out spacer	1	30L
16	M5GAEJC180	PART	彈簧下座	Compression Rod	1	180L
15	M5GAE-OPB020	PART	彈簧上座	Spring_Guide	1	
14	M5GAC9-1004	PART	圓筒內六角螺絲	HEX Bolts	1	M3X0.5X10L
13	M5GAC8-0731	PART	鎖式固定夾	Wire Clip	1	For M3x0.5
12	M5FWS-2311-000	PART	定距橡皮	lop out spring bumper	1	Φ13.8X120L
11	M5FUA-2310-000	PART	彈簧護套	Spring Sheath	1	NBR
10	M5FM2-2311-000	PART	定距橡皮	lop out spring bumper	1	Φ13.8X48L
9	M5FKD-2723-000	PART	煞車軸	pivot	2	M10X1.25
8	M5FHJ-2Y70-100	PART	C型扣環	CTW	2	Φ41.9xΦ3x36
7	M5FA2-2Y12-100	PART	圓筒內六角螺絲	HEX Bolts	2	M5x0.8x15L
6	M231-D24-L40-60	PART	壓縮橡皮	Compressible buna	1	Φ25.40L·HS50
5	H5GMLC-007-286	ASSEMBLY	旋轉蓋組	Cap Assembly	1	
4	H5GML9-009-200	ASSEMBLY	調整螺絲	Fixed Guide Assembly	1	
3	H5GML-009-30	ASSEMBLY	鎖死內管下座	Lock-Out Spacer	1	TBD
2	H5GML-005-72-1	ASSEMBLY	齒輪螺絲 (含外管座)	Hypoid Assembly	1	
1	H5FVP-2162-100	ASSEMBLY	調整座組 2006	Adjuster Assembly	1	M27.5X1.0
NO	PART NO	TYPE	CHINESE NAME	ENGLISH NAME	QTY	NOTE

Bill of material

MATERIAL	Assembly	QTY	1	MODEL	BLAZE29 ML(120)	
UNIT	MM	SCALE	0.600	DRAW NO	PGX027DG	rev. 1.0
FASHING		TREAT		NAME	爆炸圖	
DESIGN	DRAWING	CHECK	CONFIG	APPE	RST	