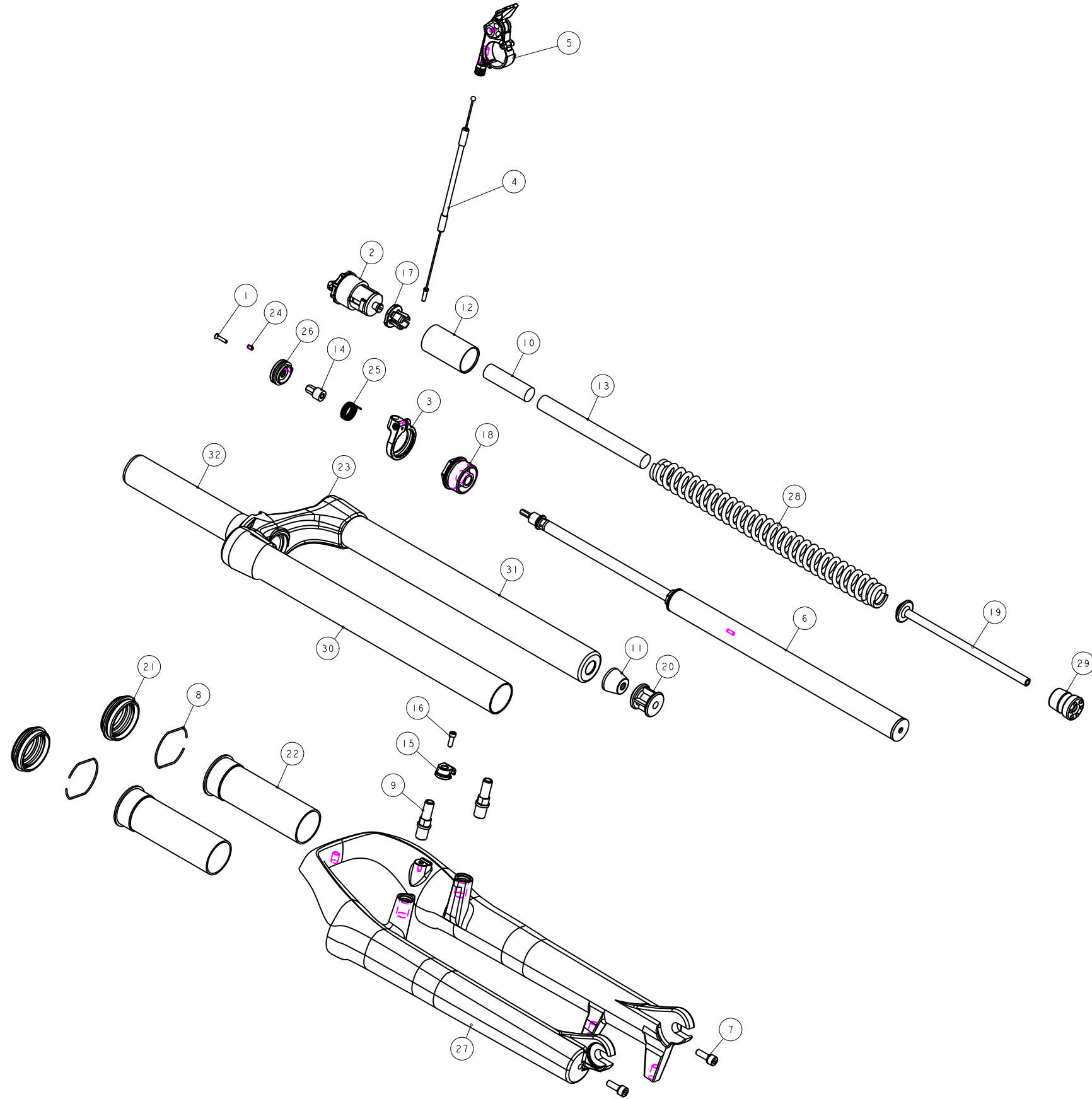


機械加工尺寸一般容許公差					REV.	DATE	DESCRIPTION	CHANGER	CHECK
尺寸	長度	尺寸	孔徑	軸徑					
1 < 10	±0.2	1 < 10	+0.2 -0.2	+0.2 -0.2					
10.001 < 100	±0.3	10.001 < 100	+0.3 -0.3	+0.3 -0.3					
100.001 < 250	±0.5	100.001 < 250	+0.5 -0.5	+0.5 -0.5					
250.001 < 500	±0.8	250.001 < 500	+1.0 -1.0	+1.0 -1.0					
500 <	±1.3	500 <	+1.5 -1.5	+1.5 -1.5					



品號第三碼表示年度碼

PGF為2015, PGG為2016, PGH為2017, 以此類推

品號	外管組替換料件	煞車軸	優力膠下座	差異性
PGX029CF	M5GFRE11-0000	M5FKD-2723-000	M5GAEJC145	有軸 行程100
PGX029CE	M5GFRE11-0000	M5FKD-2723-000	M5GAEJC125	有軸 行程80
PGX030CF	M5GFRE11-1000	不使用	M5GAEJC145	無軸 行程100
PGX030CE	M5GFRE11-1000	不使用	M5GAEJC125	無軸 行程80

32	MFPV-286-100	PART	轉向管	Sleerer	1	±28.6
31	M5GSTAD0310A000	PART	內管	Slanchion	1	±30X310L
30	M5GSTAD0310A000	PART	內管	Slanchion	1	±30X310L
29	M5GSPB-503-40	PART	緩衝墊	Top-Out Bumper	1	±40
28	M5GSP91260-092	PART	彈簧	Spring	1	
27	M5GFRE11-0000	PART	BLAZE有軸外管	RAXXON Casling	1	P125 ±30
26	M5GDPAK03	PART	線控旋轉鈕	Turn Base	1	8h
25	M5GDP7ARL-020	PART	錯鑽	Corkscrew Coil Spring	1	20h
24	M5GDP7ARL-013	PART	止付螺絲	Grub screw	1	M3X5L
23	M5GCR82ECGA2000	PART	08P125±30壓球鋼管	Crown	1	
22	M5GBHEDB1-1	PART	長型膠襯套	Bush	2	120
21	M5GBH8CDC2	ASSEMBLY	油封	oil seal	2	±30內管
20	M5GAEMB20	PART	外管座	Bottom-Out spacer	1	20L
19	M5GAEJC145	PART	優力膠下座	Compression Rod	1	145L
18	M5GAEODA275	PART	DT固定座 (DA, TNL共用)	DT anchorage	1	M27.5x1.0
17	M5GAE-0PB021	PART	彈簧座	Spring Guide	1	
16	M5GAC9-1004	PART	圓頭內六角螺絲	HEX Bolts	1	M3X0.5X10L
15	M5GAC8-0731	PART	鎖式固定夾	Wire Clip	1	For M3x0.5
14	M5GAC8-0404	PART	螺套	Switch Stand	1	14.8L
13	M5FWS-2311-000	PART	定距橡皮	top out spring bumper	1	±13.8X120L
12	M5FUA-2310-000	PART	彈簧護套	Spring Sheath	1	NBR
11	M5FQS-2310-000	PART	緩衝墊	Top-Out Bumper	1	15L
10	M5FM2-2311-000	PART	定距橡皮	top out spring bumper	1	±13.8X48L
9	M5FKD-2723-000	PART	煞車軸	pivot	2	M10X1.25
8	M5FHJ-2Y70-100	PART	C型扣環	CTW	2	∅41.9x∅3x36
7	M5FA2-2Y12-100	PART	圓頭內六角螺絲	HEX Bolts	2	M5x0.8x15L
6	H5GDPFBK10	ASSEMBLY	15'TNL錫死棒 (雙線牙版)	Travel lock-out Cartridge	1	行程120
5	H5GDPDAR3	ASSEMBLY	TRL錫死棒 (鋅合金)	Tiny Remote Lockout	1	
4	H5GDPCARL3-1	ASSEMBLY	12"RL煞車線外線組	Remote Outline Assembly	1	
3	H5GDPBARL6	ASSEMBLY	08"RL扣環組 (高級)	Remote Outline Base	1	
2	H5FVP-2162-100	ASSEMBLY	調整座組 2006	Adjuster Assembly	1	M27.5X1.0
1	1022A-02512C-B	PART	六角承蓋螺絲 (黑)	HEX BOLT	1	M2.5x0.45
NO	PART NO	TYPE	CHINESE NAME	ENGLISH NAME	QTY	NOTE

Bill of material

MATERIAL	Assembly	QTY	1	MODEL	BLAZE26 RL(80/100)		
UNIT	MM	SCALE	0.500	DRAW NO	PGX029CF	rev.	1.0
FASHING		TREAT		DESIGN	爆炸圖		
DESIGN	DRAWING	CHECK	CONFIG	APPE	NAME	RST	