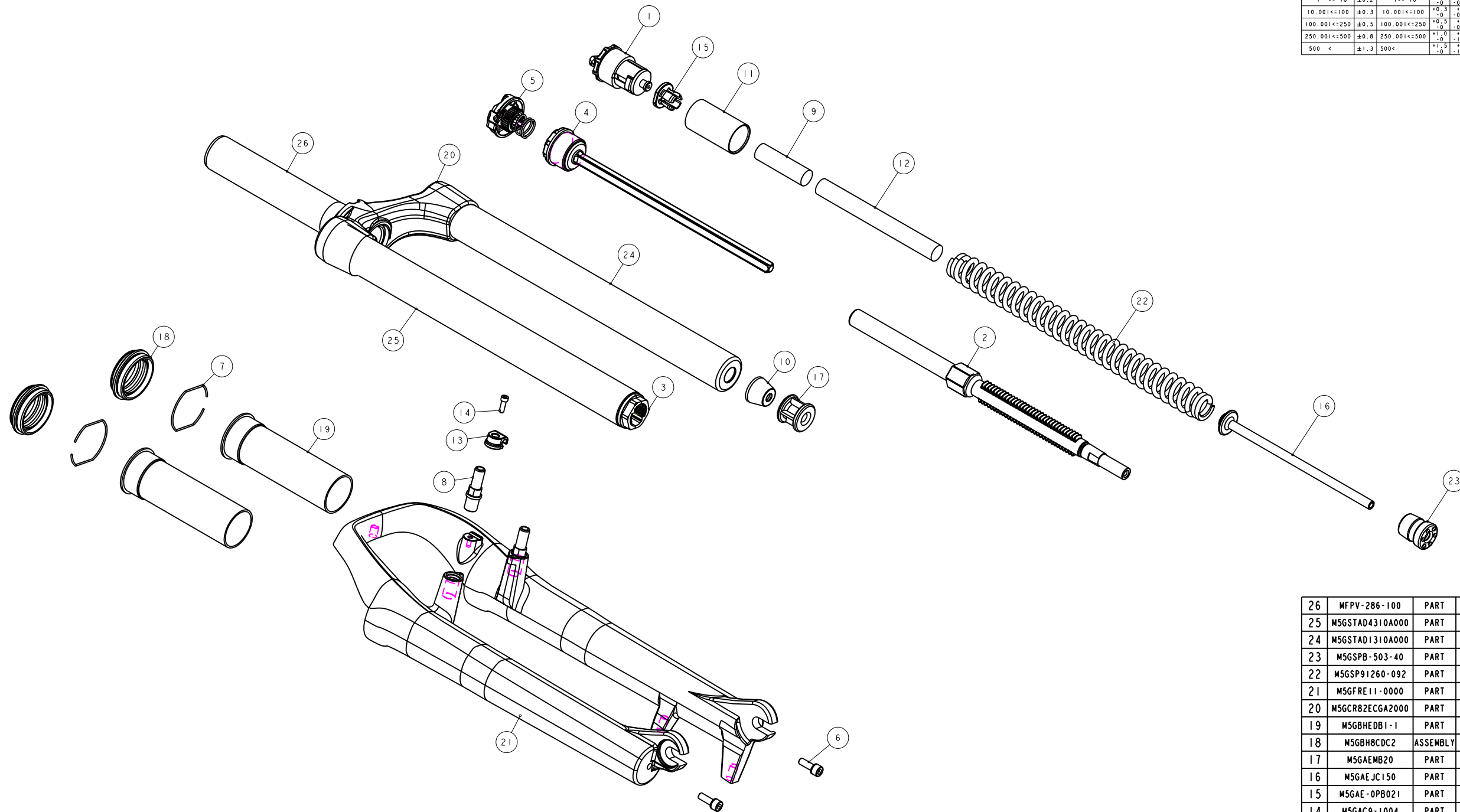


機械加工尺寸一般容許公差					REV.	DATE	DESCRIPTION	CHANGER	CHECK
尺寸	長度	尺寸	孔徑	軸徑					
1 < 10	±0.2	1 < 10	+0.2 -0.2	+0.2 -0.2					
10.001 < 100	±0.3	10.001 < 100	+0.3 -0.3	+0.3 -0.3					
100.001 < 250	±0.5	100.001 < 250	+0.5 -0.5	+0.5 -0.5					
250.001 < 500	±0.8	250.001 < 500	+1.0 -1.0	+1.0 -1.0					
500 <	±1.3	500 <	+1.5 -1.5	+1.5 -1.5					



26	MFPV-286-100	PART	轉向管	Steerer	1	±28.6
25	M5GSTAD4310A000	PART	內管	Stanchion	1	±30X310L
24	M5GSTAD1310A000	PART	內管	Stanchion	1	±30X310L
23	M5GSPB-503-40	PART	緩衝墊	Top-Out Bumper	1	±40
22	M5GSP91260-092	PART	彈簧	Spring	1	
21	M5GFRE11-0000	PART	BLAZE有軸外管	RAXXON Casting	1	P125 ±30
20	M5GCR82ECGA2000	PART	08P125±30壓縮彈簧	Crown	1	
19	M5GBHEDB1-1	PART	長型膠襯套	Bush	2	120
18	M5GBH8CDC2	ASSEMBLY	油封	oil seal	2	±30內管
17	M5GAEMB20	PART	外管座	Bottom-Out spacer	1	20L
16	M5GAEJC150	PART	優力膠下座	Compression Rod	1	150L
15	M5GAE-0PB021	PART	彈簧座	Spring Guide	1	
14	M5GAC9-1004	PART	圓筒內六角螺絲	HEX Bolts	1	M3X0.5X10L
13	M5GAC8-0731	PART	鎖式固定夾	Wire Clip	1	For M3x0.5
12	M5FWS-2311-000	PART	定距橡皮	top out spring bumper	1	±13.8X120L
11	M5FUA-2310-000	PART	彈簧護套	Spring Sheath	1	NBR
10	M5FQS-2310-000	PART	緩衝墊	Top-Out Bumper	1	15L
9	M5FM2-2311-000	PART	定距橡皮	top out spring bumper	1	±13.8X48L
8	M5FKD-2723-000	PART	煞車軸	pivot	2	M10X1.25
7	M5FHJ-2Y70-100	PART	C型扣環	CTW	2	±41.9x±3x36
6	M5FA2-2Y12-100	PART	圓筒內六角螺絲	HEX Bolts	2	M5x0.8x15L
5	H5GMLC-007-286	ASSEMBLY	旋轉蓋組	Cap Assembly	1	
4	H5GML9-009-200	ASSEMBLY	調整座組	Fixed Guide Assembly	1	
3	H5GML-009-30	ASSEMBLY	鎖死內管下座	Lock-Out Spacer	1	TBD
2	H5GML-005-42-1	ASSEMBLY	齒輪接組(含外管座)	Hypoid Assembly	1	
1	H5FVP-2162-100	ASSEMBLY	調整座組 2006	Adjuster Assembly	1	M27.5x1.0
NO	PART NO	TYPE	CHINESE NAME	ENGLISH NAME	QTY	NOTE

品號第三碼表示年度碼

PGF為2015, PGG為2016, PGH為2017, 以此類推

品號	外管替換料件	煞車軸	優力膠下座	差異性
PGX029DF	M5GFRE11-0000	M5FKD-2723-000	M5GAEJC150	有軸 行程100
PGX029DE	M5GFRE11-0000	M5FKD-2723-000	M5GAEJC130	有軸 行程80
PGX030DF	M5GFRE11-1000	不使用	M5GAEJC150	無軸 行程100
PGX030DE	M5GFRE11-1000	不使用	M5GAEJC130	無軸 行程80

### Bill of material

MATERIAL	Assembly	QTY	1	MODEL	BLAZE26 ML(80/100)	
UNIT	MM	SCALE	0.600	DRAW NO	PGX029DF	rev. 1.0
FASHING		TREAT		NAME	爆炸圖	
DESIGN	DRAWING	CHECK	CONFIG	APPE	RST	