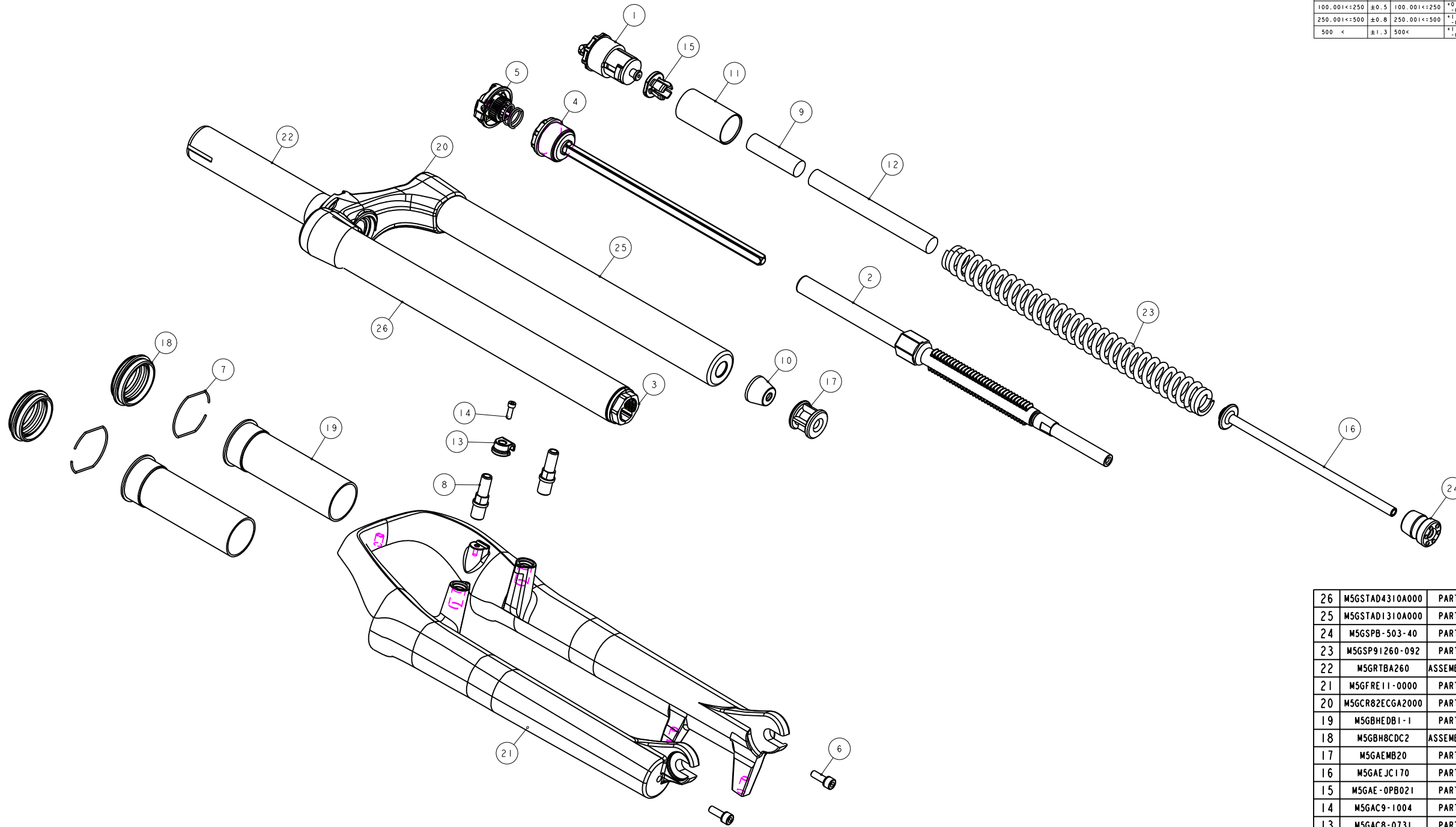


機械加工尺寸一般容許公差					REV.	DATE	DESCRIPTION	CHANGER	CHECK
尺寸	長寬高	尺寸	孔徑	軸徑					
1 < 10	±0.2	1 < 10	+0.2 -0.2	+0.2 -0.2					
10.001 < 100	±0.3	10.001 < 100	+0.3 -0.3	+0.3 -0.3					
100.001 < 250	±0.5	100.001 < 250	+0.5 -0.5	+0.5 -0.5					
250.001 < 500	±0.8	250.001 < 500	+1.0 -0.8	+1.0 -1.0					
500 <	±1.3	500 <	+1.5 -1.3	+1.5 -1.3					



26	M5GSTAD4310A000	PART	內管		1	#30X310L
25	M5GSTAD1310A000	PART	內管	Stanchion	1	#30X310L
24	M5GSPB-503-40	PART	緩衝墊	Top-Out Bumper	1	Φ40
23	M5GSP91260-092	PART	彈簧	Spring	1	
22	M5GRTBA260	ASSEMBLY	轉向管	Steerer	1	
21	M5GFRE11-0000	PART	BLAZE有軸外管	RAXXON Casting	1	P125 #30
20	M5GCR82CGA2000	PART	08P125#30壓鑄鋼管性	Crown	1	
19	M5GBHEDB1-1	PART	長變膠襯套	Bush	2	120
18	M5GBH8CDC2	ASSEMBLY	油封	oil seal	2	#30內徑
17	M5GAEMB20	PART	外管座	Bottom-Out spacer	1	20L
16	M5GAEJC170	PART	彈簧座	Compression Rod	1	170L
15	M5GAE-0PB021	PART	彈簧座	Spring Guide	1	
14	M5GAC9-1004	PART	圓頭內六角螺絲	HEX Bolts	1	M3X0.5X10L
13	M5GAC8-0731	PART	鎖式固定夾	Wire Clip	1	For M3x0.5
12	M5FWS-2311-000	PART	定距橡皮	top out spring bumper	1	#13.8X120L
11	M5FUA-2310-000	PART	彈簧護套	Spring Sheath	1	NBR
10	M5FQS-2310-000	PART	緩衝墊	Top-Out Bumper	1	15L
9	M5FM2-2311-000	PART	定距橡皮	top out spring bumper	1	#13.8X48L
8	M5FKD-2723-000	PART	煞車軸	pivot	2	M10X1.25
7	M5FHJ-2Y70-100	PART	C型扣環	CTW	2	∅41.9x∅3x36
6	M5FA2-2Y12-100	PART	圓頭內六角螺絲	HEX Bolts	2	M5x0.8x15L
5	H5GMLC-007-286	ASSEMBLY	旋鈕蓋組	Cap Assembly	1	
4	H5GML9-009-200	ASSEMBLY	調整螺絲組	Fixed Guide Assembly	1	
3	H5GML-009-30	ASSEMBLY	鎖死內管下座	Lock-Out Spacer	1	TBD
2	H5GML-005-72-1	ASSEMBLY	齒輪棒組(含外管座)	Hypoid Assembly	1	
1	H5FVP-2162-100	ASSEMBLY	調整螺絲組 2006	Adjuster Assembly	1	M27.5x1.0
NO	PART NO	TYPE	CHINESE NAME	ENGLISH NAME	QTY	NOTE

Bill of material

MATERIAL	Assembly	QTY	1	MODEL	BLAZE26 ML(120)	
UNIT	MM	SCALE	0.600	DRAW NO	PGX029DG	rev. 1.0
FASHING		TREAT		DESIGN	NAME	
DESIGN	DRAWING	CHECK	CONFIG	APPE	爆炸圖	
RST						

品號第三碼表示年度碼

PGF為2015, PGG為2016, PGH為2017, 以此類推

品號	外管替換料件	煞車軸	差異性
PGX029DG	M5GFRE11-0000	M5FKD-2723-000	有軸 行程120
PGX030DG	M5GFRE11-1000	不使用	無軸 行程120