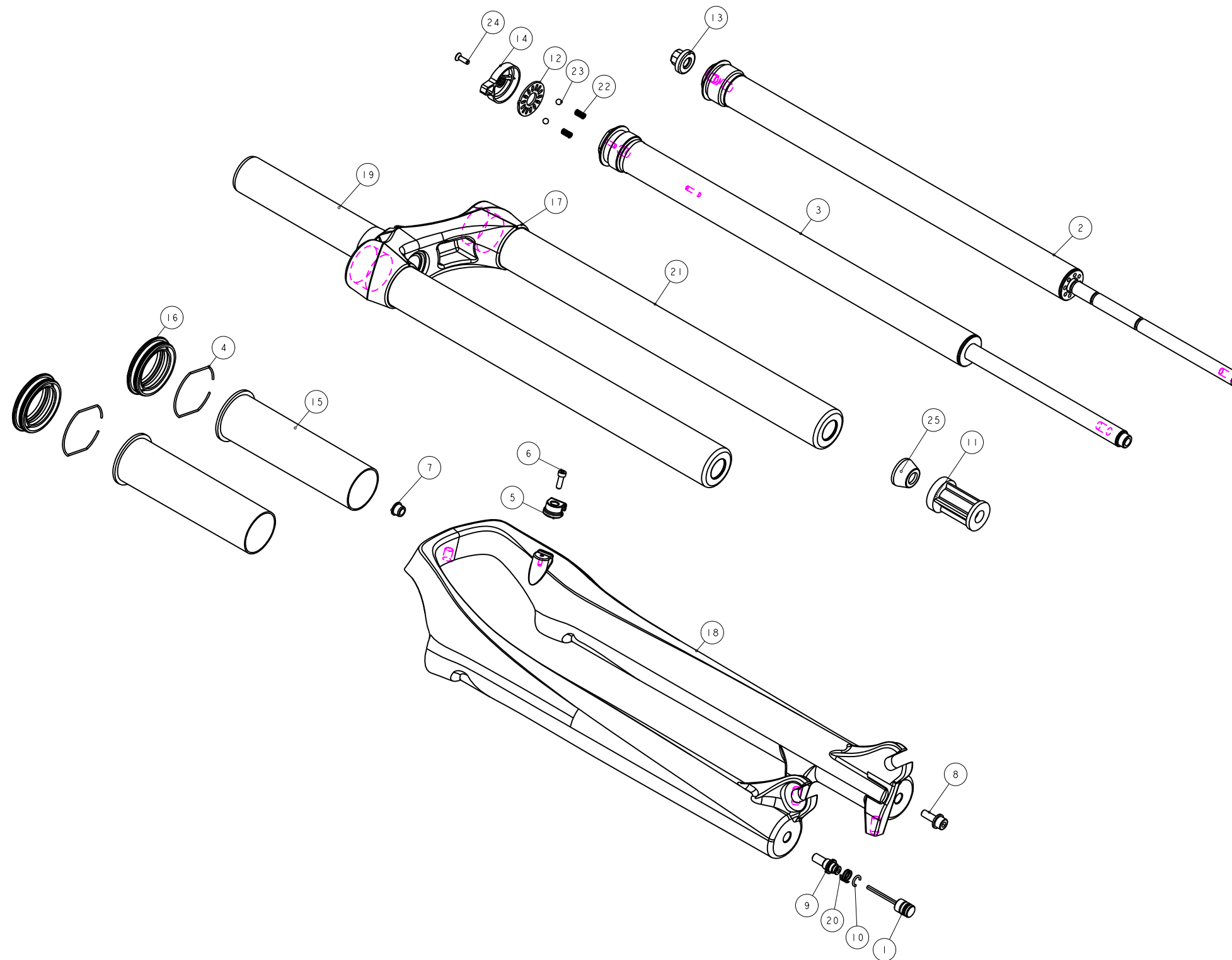


機械加工尺寸一般容許公差					REV.	DATE	DESCRIPTION	CHANGER	CHECK
尺寸	長寬高	尺寸	孔徑	軸徑					
1 < 10	±0.2	1 < 10	+0.2 -0.3	+0 -0.2					
10.001 < 100	±0.3	10.001 < 100	+0.3 -0.4	+0 -0.3					
100.001 < 250	±0.5	100.001 < 250	+0.5 -0.6	+0 -0.5					
250.001 < 500	±0.8	250.001 < 500	+1.0 -1.0	+1.0 -1.0					
500 <	±1.3	500 <	+1.5 -1.5	+1.5 -1.5					



品號	氣壓棒	規格說明
PGF087PG	H5GDPDC29-1	無軸 標準頭管徑 行程120mm 總高530mm
PGF087PF	H5GDPDC29-2	無軸 標準頭管徑 行程100mm 總高510mm
PGF087PE	H5GDPDC29-3	無軸 標準頭管徑 行程80mm 總高490mm

25	M5S32-2310-000	PART	緩衝墊	Top-Out Bumper	1	φ21.5X11.5
24	M5R22-2Y11-100	PART	螺絲小螺絲	bolt	1	M3X0.5
23	M5K43-2730-000	PART	小鋼珠	Steel ball	2	#4
22	M5K43-2351-000	PART	彈簧	Spring	2	Pitch 0.85
21	M5GSTAE1345C100	PART	內管	Stanchion	2	φ32x345L-OPO
20	M5GSPG0427	PART	彈簧		1	
19	M5GRTBA260	ASSEMBLY	轉向管	Steerer	1	
18	M5GFRJC3-1000	PART	2012 OMEGA 29 外管	CASTING	1	φ孔2φ
17	M5GCRC1FDZA2000	PART	12'FIRST29鋼管徑	Crown	1	
16	M5GBHBAEC1	ASSEMBLY	油封	OIL SEAL	2	TBD
15	M5GBHOAEB-1	PART	長型襯套	Bushing(plastic)	2	125L
14	M5GAE9DA183	PART	鎖死調整座	OCR KNOBS	1	073060
13	M5GAE9DA183	PART	氣阻蓋	Air Cap	1	TBD
12	M5GAE9CS27-1	PART	OCR 鎖死調整座墊片	shim	1	073059-01
11	M5GAE0JB027-40	PART	外管徑	Bottom-out spacer	1	40(38)L
10	M5GACG0427	PART	C扣		1	
9	M5GACE0106-02	PART	回彈調整螺絲		1	
8	M5GACC0617-01	PART	圓頭內六角螺絲	bolt	1	M5X15L
7	M5GACC0603-01	PART	轉接座	ADAPTER	1	
6	M5GAC9-1004	PART	圓頭內六角螺絲	HEX Bolts	1	M3X0.5X10L
5	M5GAC8-0731	PART	鎖式固定夾	Wire Clip	1	For M3x0.5
4	M5FHJ-2Y70-300	PART	C型扣環	CTW	2	TBD
3	H5GDPFBD29-1	ASSEMBLY	油壓棒	AIR CARTRIDGE	1	
2	H5GDPDC29-1	ASSEMBLY	氣壓棒	AIR CARTRIDGE	1	
1	H5GAE0LA019	ASSEMBLY	回彈調整鈕		1	
NO	PART NO	TYPE	CHINESE NAME	ENGLISH NAME	QTY	NOTE

### Bill of material

MATERIAL	ASSEMBLY	Q'TY	1	MODEL	AERIAL 29 TNL-R(80/100/120)	
UNIT	MM	SCALE	0.600	DRAW NO	PGF087PG	rev. 1.0
FASHING		TREAT		NAME	爆炸圖	
DESIGN	DRAWING	CHECK	CONFIG	APPE	RST	