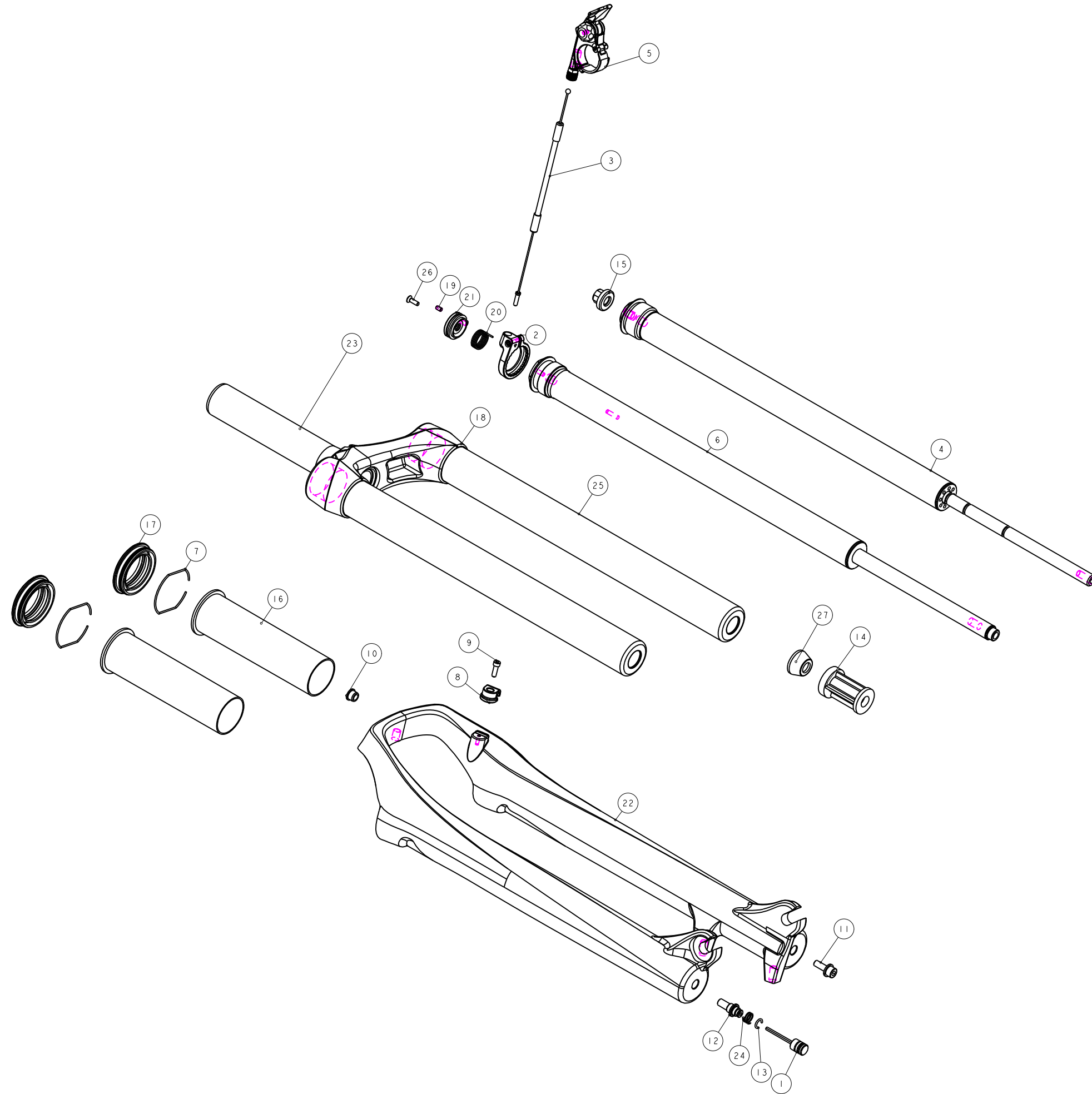


機械加工尺寸一般容許公差					REV.	DATE	DESCRIPTION	CHANGER	CHECK
尺寸	長寬高	尺寸	孔徑	軸徑					
1 < 10	±0.2	1 < 10	+0.2 -0.3	+0 -0.2					
10.001 < 100	±0.3	10.001 < 100	+0.3 -0.4	+0 -0.3					
100.001 < 250	±0.5	100.001 < 250	+0.5 -0.6	+0 -0.5					
250.001 < 500	±0.8	250.001 < 500	+0.8 -1.0	+0 -1.0					
500 <	±1.3	500 <	+1.3 -1.5	+0 -1.5					



品號	氣壓棒	規格說明
PGF087TG	H5GDPDCD29-1	無軸 標準頭管徑 行程120mm 總高530mm
PGF087TF	H5GDPDCD29-2	無軸 標準頭管徑 行程100mm 總高510mm
PGF087TE	H5GDPDCD29-3	無軸 標準頭管徑 行程80mm 總高490mm

27	M5S32-2310-000	PART	緩衝墊	Top-Out Bumper	1	Φ21.5X11.5
26	M5R22-2Y11-100	PART	螺絲小螺絲	bolt	1	M3X0.5
25	M5GSTAE1345C100	PART	內管	Stanchion	2	Φ32x345L-OPD
24	M5GSPG0427	PART	彈簧		1	
23	M5GRTBA260	ASSEMBLY	轉向管	Steerer	1	
22	M5GFRJC3-1000	PART	2012 OMEGA 29 外管	CASTING	1	Φ22小
21	M5GDPAK03	PART	總控旋轉鈕	Turn Base	1	8h
20	M5GDP7ARL-020	PART	錯簧	Coil Spring	1	20h
19	M5GDP7ARL-013	PART	止付螺柱	Grub screw	1	M3X5L
18	M5GCRC1FDZA2000	PART	12'FIRST29頭管徑	Crown	1	
17	M5GBHBAEC1	ASSEMBLY	油封	OIL SEAL	2	TBD
16	M5GBH0AEB-1	PART	長型膠套	Bushing(plastic)	2	125L
15	M5GAE9DA183	PART	氣筒蓋	Air Cap	1	TBD
14	M5GAE0JB027-40	PART	外管徑	Bottom-out spacer	1	40(38)L
13	M5GACG0427	PART	C扣		1	
12	M5GACE0106-02	PART	回彈調整螺絲		1	
11	M5GACC0617-01	PART	圓筒內六角螺柱	bolt	1	M5X15L
10	M5GACC0603-01	PART	轉接座	ADAPTER	1	
9	M5GAC9-1004	PART	圓筒內六角螺柱	HEX Bolts	1	M3X0.5X10L
8	M5GAC8-0731	PART	鎖式固定夾	Wire Clip	1	For M3x0.5
7	M5FHJ-2Y70-300	PART	C型扣環	CTW	2	TBD
6	H5GDPFBD29-1	ASSEMBLY	油壓棒	AIR CARTRIDGE	1	
5	H5GDPDR3	ASSEMBLY	TRL撥桿組(鈦合金)	Tiny Remote Lockout	1	
4	H5GDPDCD29-1	ASSEMBLY	氣壓棒	AIR CARTRIDGE	1	
3	H5GDPARL3-1	ASSEMBLY	12'RL懸車線外線組	Remote Outline Assembly	1	
2	H5GDPARL6	ASSEMBLY	08'RL扣環組(高級)	Remote Outline Base	1	
1	H5GAE019	ASSEMBLY	回彈調整鈕		1	
NO	PART NO	TYPE	CHINESE NAME	ENGLISH NAME	QTY	NOTE

Bill of material

MATERIAL	ASSEMBLY	Q'TY	1	MODEL	AERIAL 29 RL-R(80/100/120)	
UNIT	MM	SCALE	0.600	DRAW NO	PGF087TG	rev. 1.0
FASHING		TREAT		NAME	爆炸圖	
DESIGN	DRAWING	CHECK	CONFIG	APPE	RST	