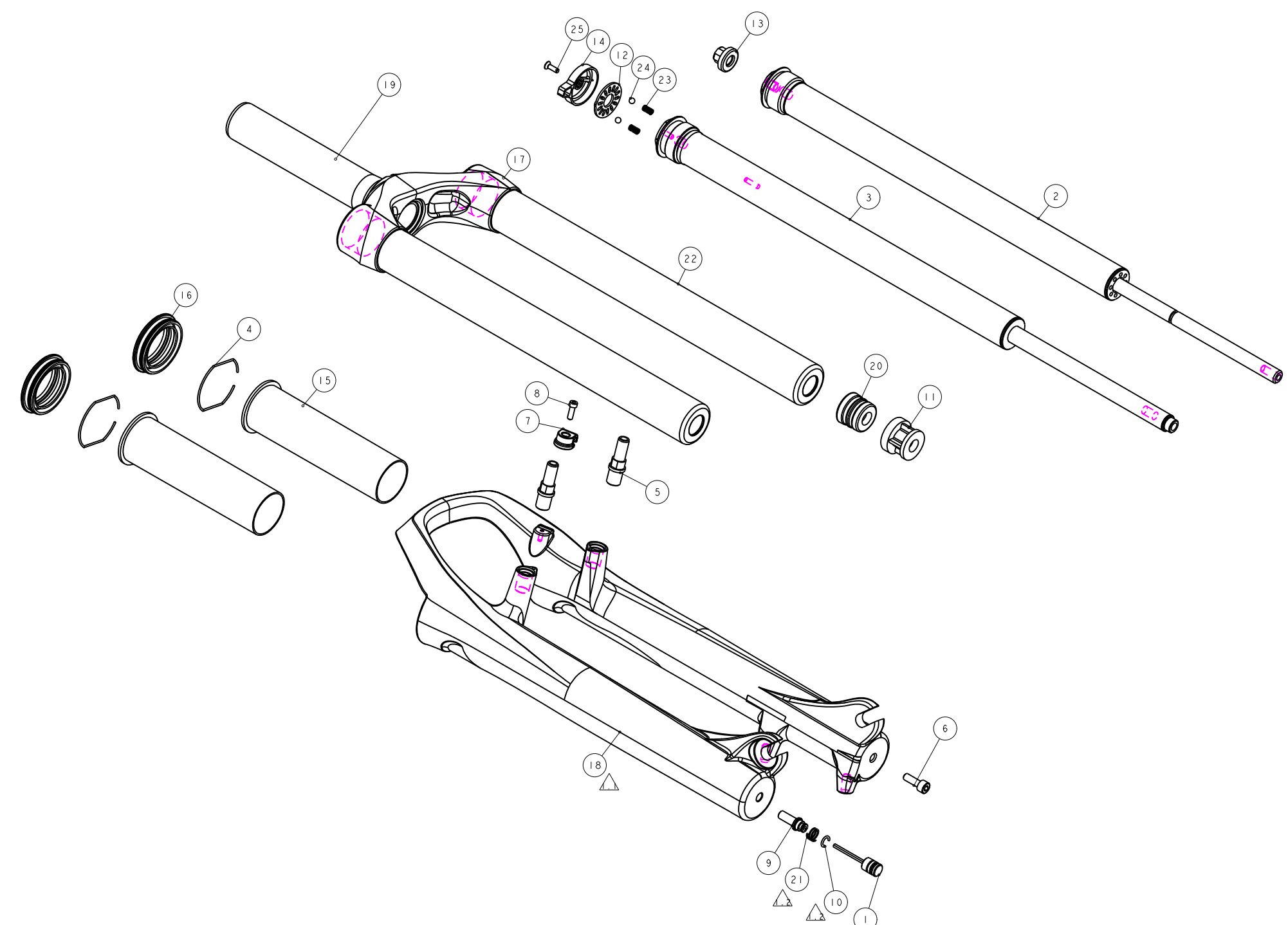


機械加工尺寸一般容許公差					REV.	DATE	DESCRIPTION	CHANGER	CHECK
尺寸	長寬高	尺寸	孔徑	軸徑	△	25 MAR'15	M5GFRH11-0000-M5GFRH11-0300	許勝強	
1 <= 10	±0.2	1 <= 10	+0.2 -0.3	+0 -0.2	△	15 MAY'15	M5GFRH11-1000-M5GFRH11-1300	許勝強	
10.001 <= 100	±0.3	10.001 <= 100	+0.3 -0.3	+0 -0.3			M5GAC04A-00500		
100.001 <= 250	±0.5	100.001 <= 250	+0.5 -0.5	+0 -0.5			M5GAC0427, M5GSPG0427		
250.001 <= 500	±0.8	250.001 <= 500	+1.0 -0.9	+1.0 -1.0					
500 <	±1.3	500 <	+1.5 -1.3	+1.5 -1.3					



NO	PART NO	TYPE	CHINESE NAME	ENGLISH NAME	QTY	NOTE
25	M5R22-2Y11-100	PART	埋頭小螺絲	bolt	1	M3X0.5
24	M5K43-2730-000	PART	小鋼珠	Steel ball	2	#4
23	M5K43-2351-000	PART	彈簧	Spring	2	Pitch 0.85
22	M5GSTAE1325C000	PART	內管	Stanchion	2	φ32x325L-#
21	M5GSPG0427	PART	彈簧		1	
20	M5GSPB-401-5	PART	緩衝墊	Top-Out Bumper	1	φ24X20LX50#
19	M5GRTBA260	ASSEMBLY	轉向管	Steerer	1	
18	M5GFRH11-0300	PART	H11外管加工	Casting	1	TBD
17	M5GCRC-FDZA2000	PART	12'FIRST32鋼管徑	Crown	1	
16	M5GBHBAEC1	ASSEMBLY	油封	OIL SEAL	2	TBD
15	M5GBHOAEB-1	PART	長型膠襯套	Bushing(plastic)	2	125L
14	M5GAE8BN38	PART	鎖死調整座	OCR KNOBS	1	073060
13	M5GAE9DA183	PART	氣壓蓋	Air Cap	1	TBD
12	M5GAE9CS27-1	PART	OCR鎖死調整座墊片	shim	1	073059-01
11	M5GAE8JB027	PART	外管徑	Bottom-out spacer	1	20(18)L
10	M5GACG0427	PART	C扣		1	
9	M5GACE0106-01	PART	回彈調整螺絲		1	
8	M5GAC9-1004	PART	圓頭內六角螺絲	HEX Bolts	1	M3X0.5X10L
7	M5GAC8-0731	PART	鎖式固定夾	Wire Clip	1	For M3x0.5
6	M5GAC6002	PART	圓頭內六角螺絲(NYSEAL)	bolt(NYSEAL)	1	M5X0.8X15L
5	M5FKD-2723-000	PART	煞車軸	pivot	2	M10X1.25
4	M5FHJ-2Y70-300	PART	C型扣環	CTW	2	TBD
3	H5GDPFBD26-1	ASSEMBLY	OCR棒	AIR CARTRIDGE	1	
2	H5GDPCDC32-1	ASSEMBLY	氣壓棒	AIR CARTRIDGE	1	
1	H5GAE8LA019	ASSEMBLY	回彈調整鈕		1	

品號	外管替換料件	煞車軸	氣壓棒	差異性
PGF085PG-	M5GFRH11-0300	M5FKD-2723-000	H5GDPCDC32-1	有軸 行程120
PGF085PF-		M5FKD-2723-000	H5GDPCDC32-2	有軸 行程100
PGF085PE-		M5FKD-2723-000	H5GDPCDC32-3	有軸 行程80
PGF095PG-	M5GFRH11-1300	不使用	H5GDPCDC32-1	無軸 行程120
PGF095PF-		不使用	H5GDPCDC32-2	無軸 行程100
PGF095PE-		不使用	H5GDPCDC32-3	無軸 行程80

Bill of material									
MATERIAL	ASSEMBLY	QTY	1	MODEL	AERIAL 26 TNL-R(80/100/120)				
UNIT	MM	SCALE	0.600	DRAW NO	PGF085PG	rev.	1.2		
FASHING		TREAT		DESIGN	爆炸圖				
NAME	RST								