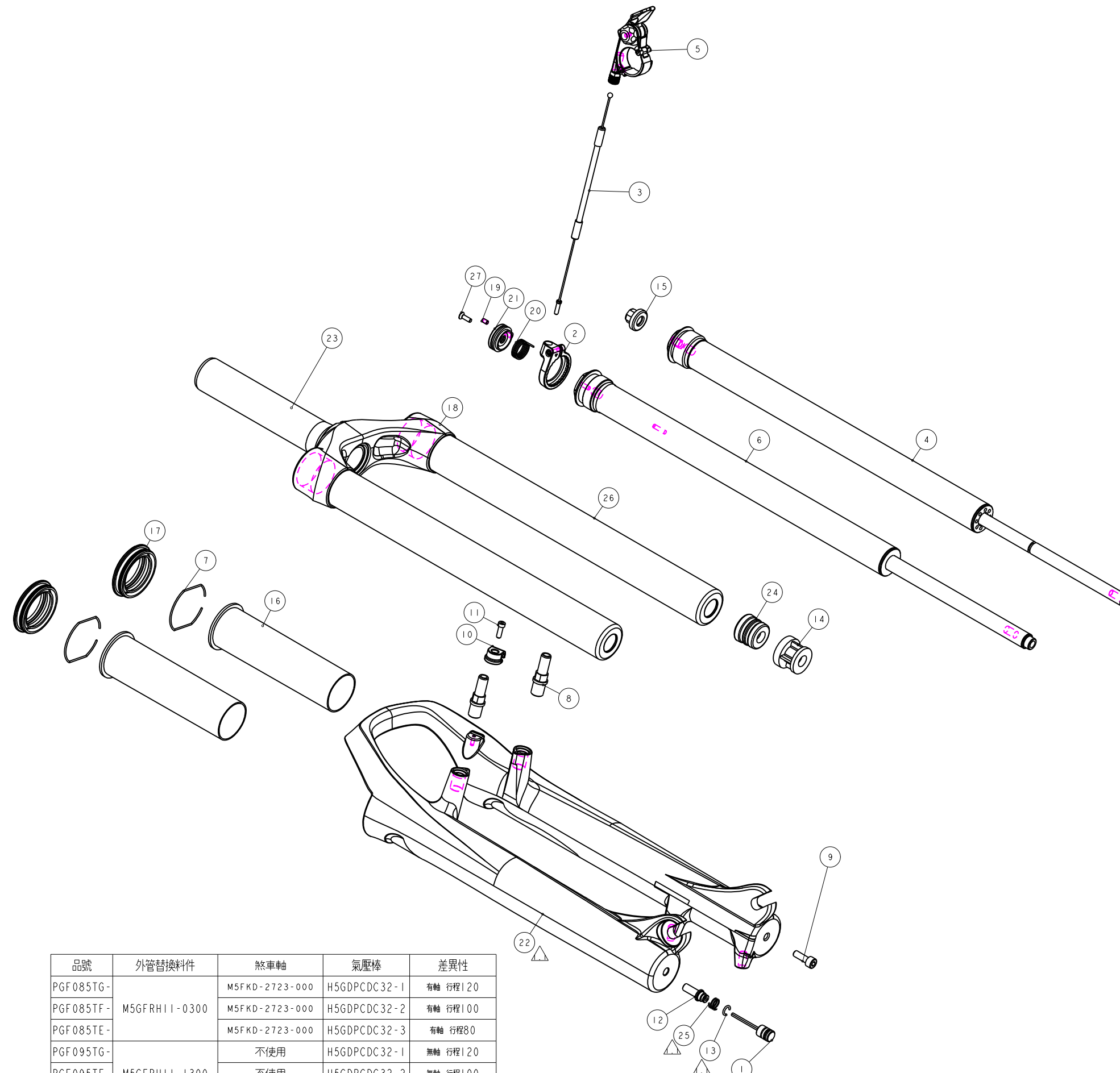


機械加工尺寸一般容許公差					REV.	DATE	DESCRIPTION	CHANGER	CHECK
尺寸	長寬高	尺寸	孔徑	軸徑	△	25 MAR'15	M5GFRH11-0000-M5GFRH11-0300	許智強	
1 <= 10	±0.2	1 <= 10	+0.2 -0.2	+0.2 -0.2	△	15 MAY'15	M5GFRH11-1000-M5GFRH11-1300	許智強	
10.001 <= 100	±0.3	10.001 <= 100	+0.3 -0.3	+0.3 -0.3			新增M5GACG0427, M5GSPG0427		
100.001 <= 250	±0.5	100.001 <= 250	+0.5 -0.5	+0.5 -0.5					
250.001 <= 500	±0.8	250.001 <= 500	+1.0 -1.0	+1.0 -1.0					
500 <	±1.3	500 <	+1.5 -1.5	+1.5 -1.5					



品號	外管替換料件	煞車軸	氣壓棒	差異性
PGF085TG-	M5GFRH11-0300	M5FKD-2723-000	H5GDPCDC32-1	有軸 行程120
PGF085TF-		M5FKD-2723-000	H5GDPCDC32-2	有軸 行程100
PGF085TE-		M5FKD-2723-000	H5GDPCDC32-3	有軸 行程80
PGF095TG-	M5GFRH11-1300	不使用	H5GDPCDC32-1	無軸 行程120
PGF095TF-		不使用	H5GDPCDC32-2	無軸 行程100
PGF095TE-		不使用	H5GDPCDC32-3	無軸 行程80

27	M5R22-2Y11-100	PART	螺絲小螺絲	bolt	1	M3X0.5
26	M5GSTAE1325C000	PART	內管	Stanchion	2	*32x325L-#
25	M5GSPG0427	PART	彈簧		1	
24	M5GSPB-401-5	PART	緩衝墊	Top-Out Bumper	1	*24X20LX50#
23	M5GRTBA260	ASSEMBLY	轉向管	Steerer	1	
22	M5GFRH11-0300	PART	H11外管加工	Casting	1	TBD
21	M5GDPAK03	PART	線控旋轉鈕	Turn Base	1	8h
20	M5GDP7ARL-020	PART	錯簧	Coil Spring	1	20h
19	M5GDP7ARL-013	PART	止付螺絲	Grub screw	1	M3X5L
18	M5GCRC-FDZA2000	PART	12'FIRST32喉管座	Crown	1	
17	M5GBHBAEC1	ASSEMBLY	油封	OIL SEAL	2	TBD
16	M5GBH0AEB-1	PART	長型膠套	Bushing(plastic)	2	125L
15	M5GAE9DA183	PART	氣筒蓋	Air Cap	1	TBD
14	M5GAE8JB027	PART	外管座	Bottom-out spacer	1	20(18)L
13	M5GACG0427	PART	C扣		1	
12	M5GACE0106-01	PART	回彈調整螺絲		1	
11	M5GAC9-1004	PART	圓筒內六角螺絲	HEX Bolts	1	M3X0.5X10L
10	M5GAC8-0731	PART	鎖式固定夾	Wire Clip	1	For M3x0.5
9	M5GAC6002	PART	圓筒內六角螺絲(NYSEAL)	bolt(NYSEAL)	1	M5X0.8X15L
8	M5FKD-2723-000	PART	煞車軸	pivot	2	M10X1.25
7	M5FHJ-2Y70-300	PART	C型扣環	CTW	2	TBD
6	H5GDPFBD26-1	ASSEMBLY	OCR棒	AIR CARTRIDGE	1	
5	H5GDPDAR3	ASSEMBLY	TR1螺絲組(鈦合金)	Tiny Remote Lockout	1	
4	H5GDPCDC32-1	ASSEMBLY	氣壓棒	AIR CARTRIDGE	1	
3	H5GDPCARL3-1	ASSEMBLY	12'RL煞車線外線組	Remote Outline Assembly	1	
2	H5GDPBARL6	ASSEMBLY	08'RL扣環組(高級)	Remote Outline Base	1	
1	H5GAEBLA019	ASSEMBLY	回彈調整鈕		1	
NO	PART NO	TYPE	CHINESE NAME	ENGLISH NAME	QTY	NOTE

Bill of material						
MATERIAL	ASSEMBLY	QTY	1	MODEL	AERIAL 26 RL-R(80/100/120)	
UNIT	MM	SCALE	0.600	DRAW NO	PGF085TG	rev. 1.2
FASHING	TREAT			NAME	爆炸圖	
DESIGN	DRAWING	CHECK	CONFIG	APPE	RST	