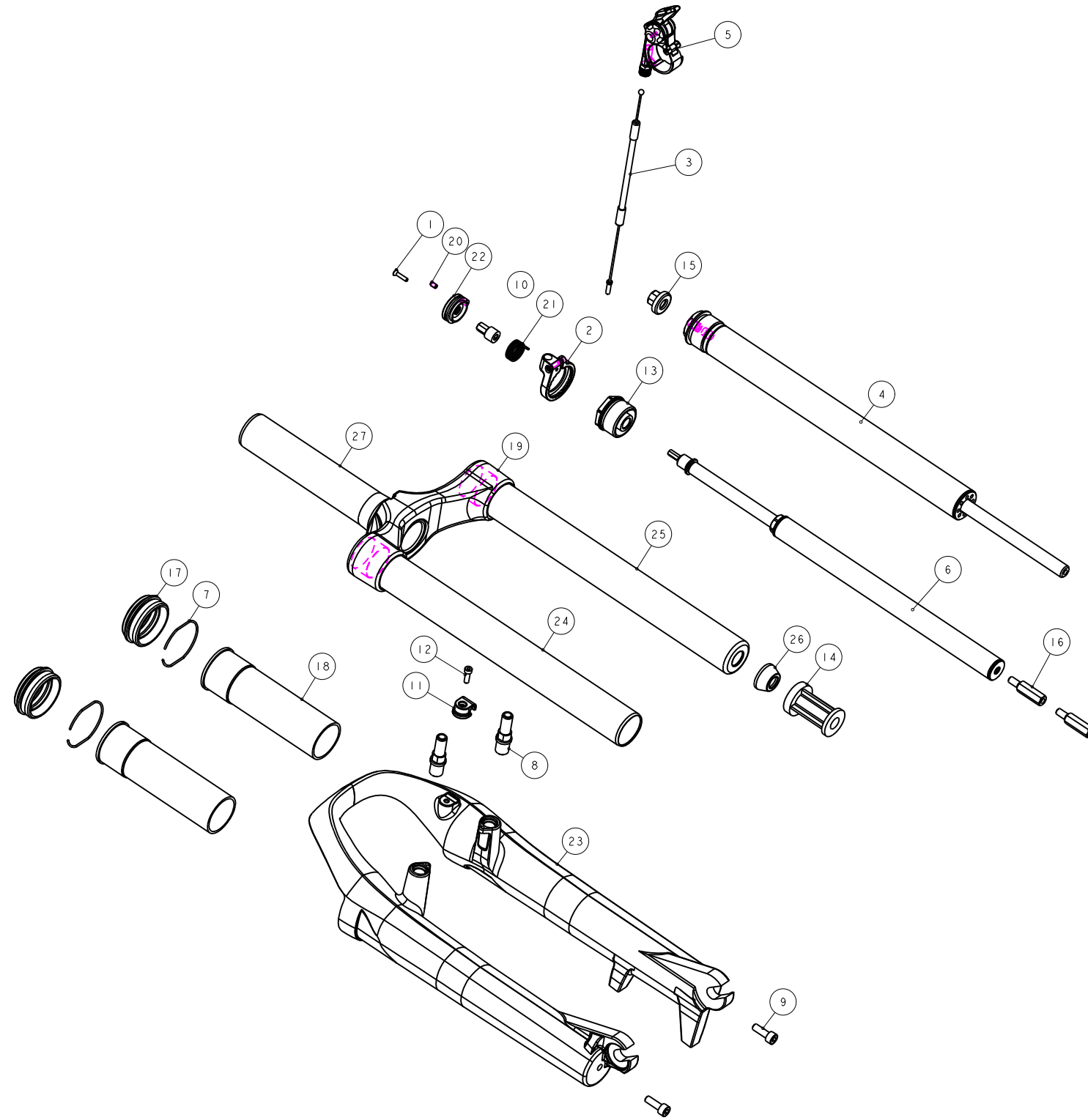


機械加工尺寸一般容許公差					REV.	DATE	DESCRIPTION	CHANGER	CHECK
尺寸	長度	尺寸	孔徑	公差	△	09 MAY '14	H5GDPFBK1815 雙線H5GDPFBK1815 雙線H5GDPFBK1815 雙線	許智強	
1 <= 10	±0.2	1 <= 10	+0.2 -0.2	+0 -0					
10.001 <= 100	±0.3	10.001 <= 100	+0.3 -0.3	+0 -0					
100.001 <= 250	±0.5	100.001 <= 250	+0.5 -0.5	+0 -0					
250.001 <= 500	±0.8	250.001 <= 500	+1.0 -1.0	+0 -0					
500 <	±1.3	500 <	+1.5 -1.5	+0 -0					



品號第三碼表示年度碼  
PGF 為 2015, PGG 為 2016, PGH 為 2017, 以此類推

NO	PART NO	TYPE	CHINESE NAME	ENGLISH NAME	QTY	NOTE
27	MFPV-286-100	PART	轉向管	Sleever	1	ø28.6
26	M5S32-2310-000	PART	緩衝墊	Top-Out Bumper	1	ø21.5xø15.3xø9.5x11.
25	M5GSTAC1268C000	PART	內管		1	ø28.6
24	M5GSTAC0268C000	PART	內管		1	ø28.6
23	M5GFRUD4-0000	PART	FIRST 有軸外管	RAXXON Coasting	1	P130 ø32
22	M5GPAK03	PART	線控旋轉鈕	Turn Base	1	Ø8
21	M5GDP7ARL-020	PART	錯簧	Corkscrew Coil Spring	1	20ø
20	M5GDP7ARL-013	PART	止付螺絲	Grub screw	1	M3X5L
19	M5GCRD-EBZA2000	PART	P125 壓球頭	Crown	1	P125.28.6
18	M5GBHCEB110	PART	塑膠襯套	Bush	2	110L
17	M5GBHCCC2	ASSEMBLY	油封	oil seal	2	ø37.6
16	M5GAE9L023	PART	螺絲桿	Shank	2	M5X0.8
15	M5GAE9DA183	PART	氣筒蓋	Air Cap	1	TØD
14	M5GAE0JB027-40	PART	外管座	Bottom-out spacer	1	40(38)L
13	M5GAE0DA265	PART	DT 固定座 (DA, TNL 共用)	DT anchorage	1	M26.5x1.0
12	M5GAC9-1004	PART	螺絲內六角螺絲	HEX Bolts	1	M3X0.5X10L
11	M5GAC8-0731	PART	鐵式固定夾	Wire Clip	1	For M3x0.5
10	M5GAC8-0404	PART	導套	Switch Stand	1	14.ØL
9	M5GAC6002	PART	螺絲內六角螺絲 (NYSEAL)	bolt(NYSEAL)	2	M5X0.8X15L
8	M5FKD-2723-000	PART	煞車軸	pivot	2	M10X1.25
7	M5FHJ-2Y70-000	PART	C型扣環	RETAINING RING	2	TØD
6	H5GDPFBK1815	ASSEMBLY	15'TNL 鎖死棒 (雙線牙版)	Travel lock-out Cartridge	1	ØMSD
5	H5GDPDAR3	ASSEMBLY	TRL 鎖桿組 (鉸合金)	Tiny Remote Lockout	1	
4	H5GDPDC265	ASSEMBLY	氣壓棒	AIR CARTRIDGE	1	
3	H5GDPARL3-1	ASSEMBLY	12'RL 煞車線外線組	Remote Outline Assembly	1	
2	H5GDPARL6	ASSEMBLY	08'RL 扣環組 (高級)	Remote Outline Base	1	
1	1022A-02512C-B	PART	六角螺絲 (黑)	HEX BOLT	1	M2.5x0.45

Bill of material

MATERIAL	Assembly	QTY	1	MODEL	AERIAL24 RL(60)		
UNIT	MM	SCALE	0.500	DRAW NO	PGX107CC	rev.	1.1
FASHING		TREAT		NAME	爆炸圖		
DESIGN	DRAWING	CHECK	CONFIG	APPE	RST		