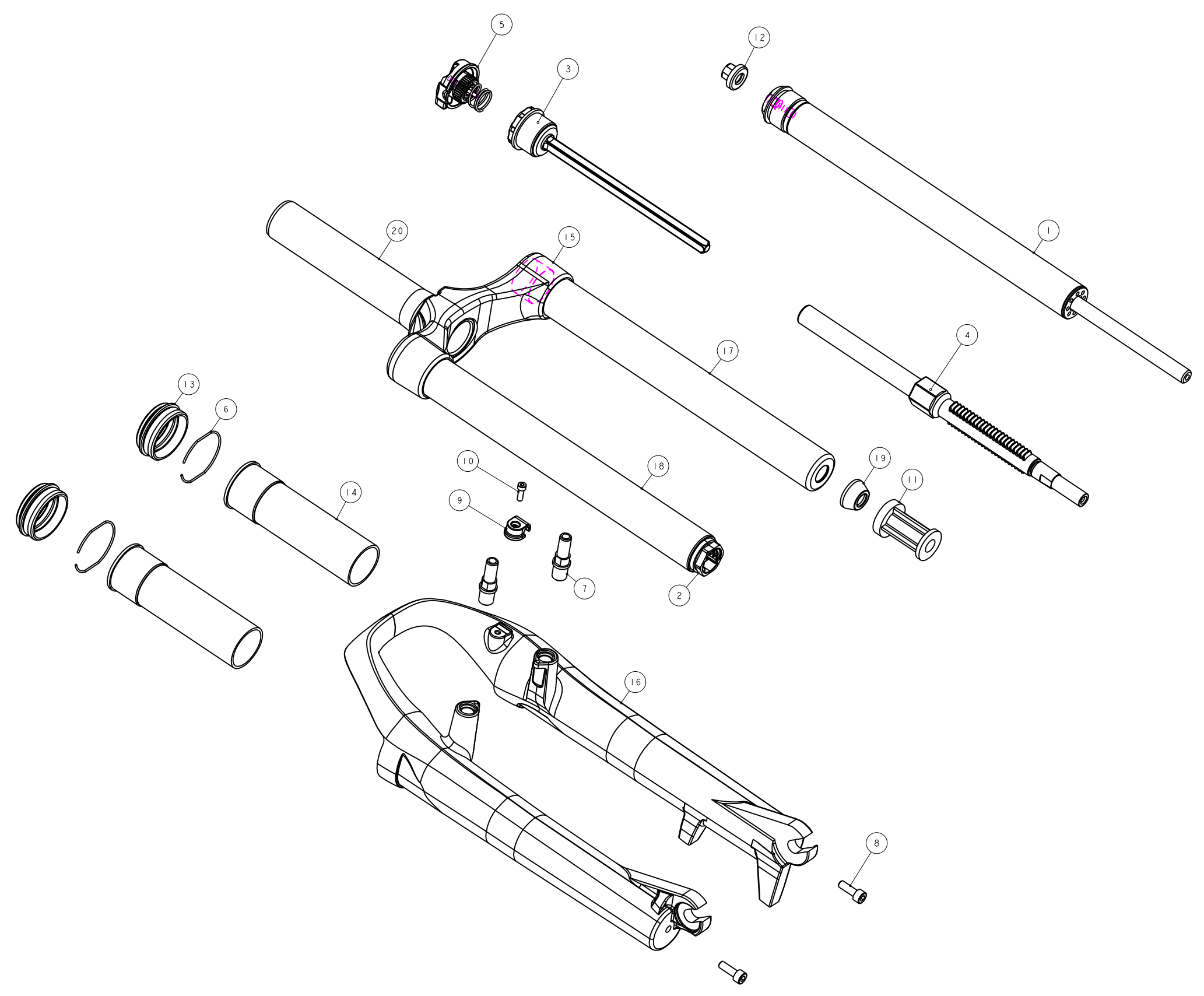


機械加工尺寸一般容許公差					REV.	DATE	DESCRIPTION	CHANGER	CHECK
尺寸	長寬高	尺寸	孔徑	軸徑	△	09 MAY '14	試也內容更換為OPO內容	許智盛	
1 <= 10	±0.2	1 <= 10	+0.2 -0.2	+0.2 -0.2					
10.001 <= 100	±0.3	10.001 <= 100	+0.3 -0.3	+0.3 -0.3					
100.001 <= 250	±0.5	100.001 <= 250	+0.5 -0.5	+0.5 -0.5					
250.001 <= 500	±0.8	250.001 <= 500	+1.0 -1.0	+1.0 -1.0					
500 <	±1.3	500 <	+1.5 -1.5	+1.5 -1.5					



品號第三碼表示年度碼
PGF為2015, PGG為2016, PGH為2017, 以此類推

NO	PART NO	TYPE	CHINESE NAME	ENGLISH NAME	QTY	NOTE
20	MFPV-286-100	PART	軸管	Sleerer	1	φ28.6
19	M5S32-2310-000	PART	緩衝墊	Top-Out Bumper	1	φ21.5xφ15.3xφ9.5x11.1
18	M5GSTAC4268C000	PART	ML內管(OPO)	Stanchion	1	268L
17	M5GSTAC1268C000	PART	內管		1	φ28.6
16	M5GFRUD4-0000	PART	FIRST 有軸管	RAXXON Casting	1	P130 φ32
15	M5GCRD-EBZA2000	PART	P125壓頂頭	Crown	1	P125,28.6
14	M5GBHCEB110	PART	塑膠襯套	Bush	2	110L
13	M5GBHCCC2	ASSEMBLY	油封	oil seal	2	φ37.6
12	M5GAE9DA183	PART	氣筒蓋	Air Cap	1	TBD
11	M5GAE0JB027-40	PART	外管座	Bottom-out spacer	1	40I381L
10	M5GAC9-1004	PART	圓筒六角螺絲	HEX Bolts	1	M3X0.5X10L
9	M5GAC8-0731	PART	線式固定夾	Wire Clip	1	For M3x0.5
8	M5GAC6002	PART	圓筒六角螺絲(NYSEAL)	bolts(NYSEAL)	2	M5X0.8X15L
7	M5FKD-2723-000	PART	旋轉軸	pivot	2	M10X1.25
6	M5FHJ-2Y70-000	PART	C型環	RETAINING RING	2	TBD
5	H5GMLC-007-286	ASSEMBLY	旋轉蓋帽	Cap Assembly	1	
4	H5GML-005-42	ASSEMBLY	齒輪組(含外管座)	Hypoid Assembly	1	
3	H5GML-004-8	ASSEMBLY	固定導引組(φ26.5), L163.2	Fixed Guide Assembly	1	
2	H5GML-003-8	ASSEMBLY	28.6內管鎖死下座(塑膠)	Lock-Out Spacer	1	
1	H5GDPCDC265	ASSEMBLY	氣筒	AIR CARTRIDGE	1	

Bill of material									
MATERIAL	Assembly	QTY	1	MODEL	AERIAL24 ML(60)				
UNIT	MM	SCALE	0.700	DRAW NO	PGX107DC	rev.	1.1		
FASHING	TREAT			NAME	爆炸圖				
DESIGN	DRAWING	CHECK	CONFIG	APPE	RST				