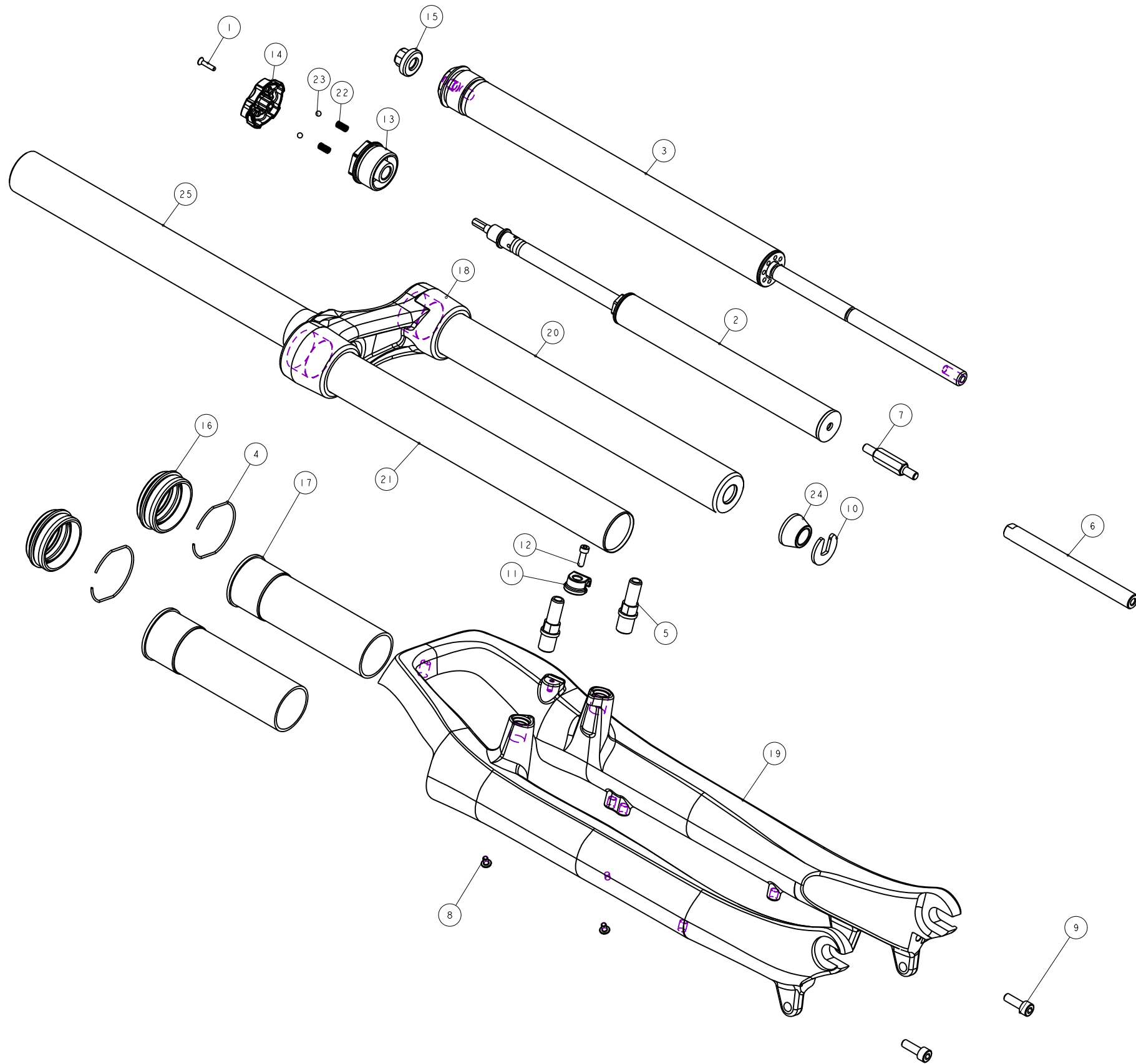


機械加工尺寸一般容許公差					REV.	DATE	DESCRIPTION	CHANGER	CHECK
尺寸	長度	尺寸	孔徑	軸徑	6	Jun/13	變更M5FA9-ZY11-100 →M5GAC6002	孫博豐	
1 <= 10	±0.2	1 <= 10	+0.2 -0	+0 -0.2					
10.001 <= 100	±0.3	10.001 <= 100	+0.3 -0	+0 -0.3					
100.001 <= 250	±0.5	100.001 <= 250	+0.5 -0	+0 -0.5					
250.001 <= 500	±0.8	250.001 <= 500	+1.0 -0	+0 -1.0					
500 <	±1.3	500 <	+1.5 -1.0	+0 -1.5					



此圖面共用於 VIVAir-TNL 系列
除表內零件需替代外，其餘零組件為共用

項目	成品品號	外管替換料件品號	煞車軸	氣壓棒	規格說明
1	PGE040BB	M5GFRW11-0200	M5FKD-2723-000	H5GDPDC265-2	有軸、行程50mm、總高460mm
2	PGE040BC			H5GDPDC265-1	有軸、行程60mm、總高470mm
3	PGE041BB	M5GFRW11-1200	不使用	H5GDPDC265-2	無軸、行程50mm、總高460mm
4	PGE041BC			H5GDPDC265-1	無軸、行程60mm、總高470mm

25	MFBV-286-700	PART	轉向管	Steerer	1	040550
24	M5S32-2310-000	PART	緩衝墊	Top-Out Bumper	1	421.5X11.5
23	M5K43-2730-000	PART	小鋼珠	Steel ball	2	#4
22	M5K43-2351-000	PART	彈簧	Spring	2	Pitch 0.85
21	M5GSTAC1268B000	PART	開口內管 (鈦色)	Stanchion	1	260L
20	M5GSTAC0268B000	PART	縮口內管 (鈦色)	Stanchion	1	260L
19	M5GFRW11-0200	PART	外管		1	pitch112
18	M5GCR7-DBGA2000	PART	壓縮彈簧 (螺孔28, 6)	Crown	1	Pitch 112
17	M5GBHCEB110	PART	變壓襯套	Bush	2	110L
16	M5GBHCC2	ASSEMBLY	油封	oil seal	2	Ø37.6
15	M5GAE9DA183	PART	氣壓蓋	Air Cap	1	TBD
14	M5GAE8TZ-2	PART	鎖死旋鈕	Lock out adjust cap	1	
13	M5GAE0DA265	PART	DT固定座 (DA, TNL 共用)	DT anchorage	1	M26.5x1.0
12	M5GAC9-1004	PART	六角螺絲	HEX Bolts	1	M3X0.5X10L
11	M5GAC8-0731	PART	鐵式固定夾	Wire Clip	1	For M3x0.5
10	M5GAC8-001	PART	下座墊片		1	040968
9	M5GAC6002	PART	六角螺絲 (NYSEAL)	bolt(NYSEAL)	2	M5X0.8X15L
8	M5GAC01108	PART	導線螺絲	bolt	2	M3X0.5
7	M5FWV-2Y14-023	PART	螺絲桿	Shank	1	2-M5X0.8
6	M5FUE-2Y10-105	PART	內螺紋接管	pitman	1	M5X0.8-105L
5	M5FKD-2723-000	PART	煞車軸	pivot	2	M10X1.25
4	M5FHJ-2Y70-000	PART	C型卡環	RETAINING RING	2	TBD
3	H5GDPDC265-1	ASSEMBLY	氣壓棒	AIR CARTRIDGE	1	
2	H5GDPBC12	ASSEMBLY	TNL 旋轉螺絲		1	
1	1022A-02512C-B	PART	六角螺絲 (黑)	HEX BOLT	1	M2.5x0.45
NO	PART NO	TYPE	CHINESE NAME	ENGLISH NAME	QTY	NOTE

Bill of material

MATERIAL	Assembly	Q'TY	1	MODEL	VIVAir-TNL(50/60)
UNIT	MM	SCALE	0.700	DRAW NO	PGE040BC rev. 1.1
FASHING	TREAT			NAME	爆炸圖
DESIGN	DRAWING	CHECK	CONF IG	APPE	RST