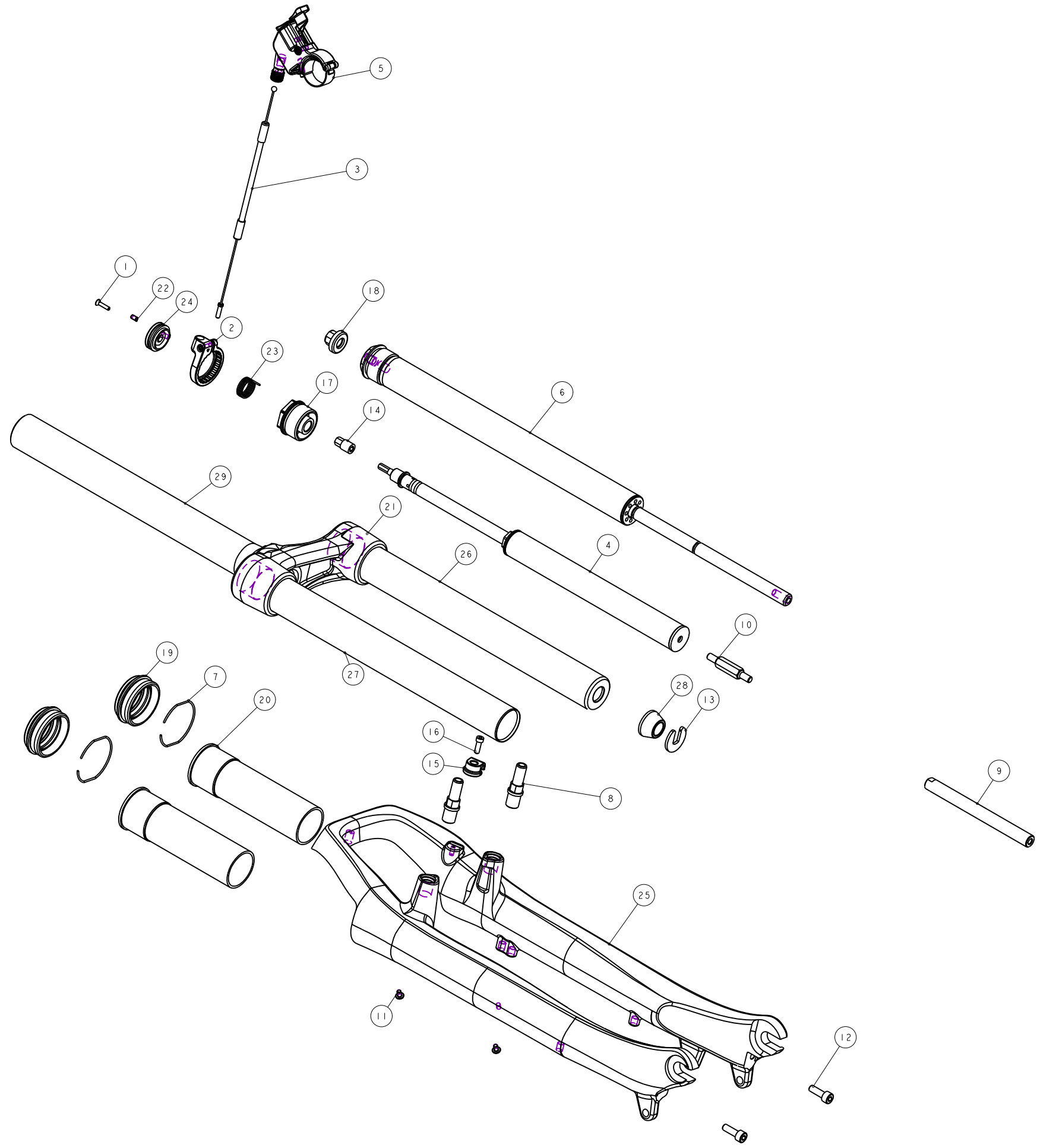


機械加工尺寸一般容許公差					REV.	DATE	DESCRIPTION	CHANGER	CHECK
尺寸	長度	尺寸	孔徑	軸徑	△	6 Jun '13	變更M5FA9-ZY11-100 →M5GAC6002	移理	
1 <= 10	±0.2	1 <= 10	+0.2 -0	+0 -0.2					
10.001 <= 100	±0.3	10.001 <= 100	+0.3 -0	+0 -0.3					
100.001 <= 250	±0.5	100.001 <= 250	+0.5 -0	+0 -0.5					
250.001 <= 500	±0.8	250.001 <= 500	+1.0 -0	+0 -1.0					
500 <	±1.3	500 <	+1.5 -1.0	+0 -1.5					



此圖面共用於 VIVAir-RL 系列
除表內零件需替代外，其餘零組件為共用

項目	成品品號	外管替換料件品號	煞車軸	氣壓棒	規格說明
1	PGE040CB	M5GFRW11-0200	M5FKD-2723-000	H5GDPCDC265-2	有軸、行程50mm、總高460mm
2	PGE040CC			H5GDPCDC265-1	有軸、行程60mm、總高470mm
3	PGE041CB	M5GFRW11-1200	不使用	H5GDPCDC265-2	無軸、行程50mm、總高460mm
4	PGE041CC			H5GDPCDC265-1	無軸、行程60mm、總高470mm

29	MFBV-286-700	PART	轉向管	Steerer	1	040550
28	M5S32-2310-000	PART	緩衝墊	Top-Out Bumper	1	ø21.5X11.5
27	M5GSTAC1268B000	PART	開口內管 (鈦色)	Stanchion	1	268L
26	M5GSTAC0268B000	PART	縮口內管 (鈦色)	Stanchion	1	268L
25	M5GFRW11-0200	PART	外管		1	pitch112
24	M5GDPAK03	PART	撥轉旋鈕	Turn Base	1	8ø
23	M5GDP7ARL-020	PART	鎖簧	Corkscrew Coil Spring	1	20ø
22	M5GDP7ARL-013	PART	止付螺絲	Grub screw	1	M3X5L
21	M5GCR7-DBG2000	PART	壓縮螺絲 (螺孔28.6)	Crown	1	Pitch 112
20	M5GBHCEB110	PART	塑膠襯套	Bush	2	110L
19	M5GBHCCC2	ASSEMBLY	油封	oil seal	2	ø37.6
18	M5GAE9DA183	PART	氣壓蓋	Air Cap	1	180
17	M5GAE0DA265	PART	DT固定座 (DA, TNL 共用)	DT anchorage	1	M26.5x11.0
16	M5GAC9-1004	PART	六角螺絲	HEX Bolts	1	M310.5X10L
15	M5GAC8-0731	PART	插式固定夾	Wire Clip	1	for M3ø0.5
14	M5GAC8-0404	PART	導套	Switch Stand	1	14.8L
13	M5GAC8-001	PART	下座墊片		1	040968
△ 12	M5GAC6002	PART	六角螺絲 (NYSEAL)	bolt(NYSEAL)	2	M510.8X15L
11	M5GAC01108	PART	導線螺絲	bolt	2	M310.5
10	M5FWV-2Y14-023	PART	螺絲桿	Shank	1	2-M5X0.8
9	M5FUE-2Y10-105	PART	內襯接管	pilman	1	M510.8-105L
8	M5FKD-2723-000	PART	煞車軸	pivot	2	M10X1.25
7	M5FHJ-2Y70-000	PART	C型環	RETAINING RING	2	180
6	H5GDPCDC265-1	ASSEMBLY	氣壓棒	AIR CARTRIDGE	1	
5	H5GDPCBR1	ASSEMBLY	2012年一般撥桿組	Remote control Assembly	1	
4	H5GDPCBK12	ASSEMBLY	TNL 旋轉螺絲		1	
3	H5GDPCARL3-1	ASSEMBLY	12'RL 煞車線外線組	Remote Outline Assembly	1	
2	H5GDPBARL6	ASSEMBLY	08'RL 煞車線 (高線)	Remote Outline Base	1	
1	1022A-02512C-B	PART	六角螺絲 (黑)	HEX BOLT	1	M2.5x0.45
NO	PART NO	TYPE	CHINESE NAME	ENGLISH NAME	QTY	NOTE

Bill of material

MATERIAL	Assembly	Q'TY	1	MODEL	VIVAir-RL(50/60)
UNIT	MM	SCALE	0.600	DRAW NO	PGE040CC rev. 1.1
FASHING	TREAT			NAME	爆炸圖
DESIGN	DRAWING	CHECK	CONF IG	APPE	RST