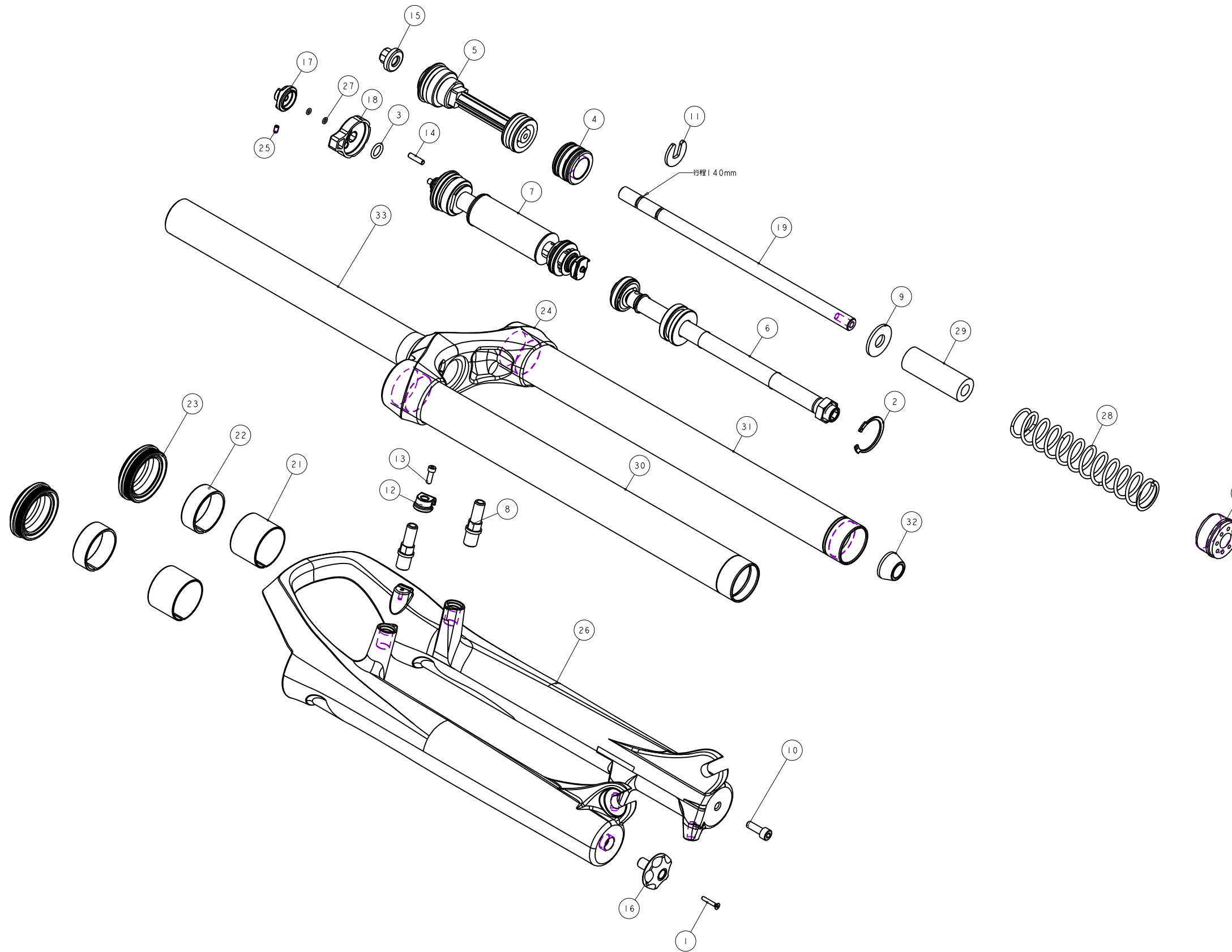


機械加工尺寸一般容許公差					REV.	DATE	DESCRIPTION	CHANGER	CHECK
尺寸	長度	尺寸	孔徑	軸徑					
1 <= 10	±0.2	1 <= 10	+0.2 0	+0 -0.2					
10.001 <= 100	±0.3	10.001 <= 100	+0.3 0	+0 -0.3					
100.001 <= 250	±0.5	100.001 <= 250	+0.5 0	+0 -0.5					
250.001 <= 500	±0.8	250.001 <= 500	+1.0 0	+0 -1.0					
500 <	±1.3	500 <	+1.5 0	+0 -1.5					



NOTE:  
此圖面共用TITAN Platform系列  
除外管須依表更換外,其餘零件皆相同

品號	外管	規格說明
PGE010JJ-	M5GFR11-0100 有軸外管	有軸 標準頭管座 行程140mm 總高520mm
PGE011JJ-	M5GFR11-1100 無軸外管	無軸 標準頭管座 行程140mm 總高520mm

33	MFBV-286-700	PART	轉向管	Steerer	1	040550
32	M5S32-2310-000	PART	緩衝墊	Top-Out Bumper	1	Φ21.5X11.5
31	M5GST2EE345H000	PART	內管加工	Stanchion	1	345L
30	M5GST2EA345H000	PART	內管加工	stanchion	1	345L
29	M5GSPBB-4055	PART	緩衝墊	Bumper	1	
28	M5GSPB1127-294	PART	彈簧	Spring	1	067818
27	M5GORB-100-0300	PART	O型環	O-Ring	2	
26	M5GFR11-0100	PART	11" TITAN外管加工	Casting	1	TBD
25	M5GDP7ARL-013	PART	止付螺絲	Grub screw	1	M3X5L
24	M5GCR1-FDZA2000	PART	11" SATURN鋼殼	Crown	1	
23	M5GBH8CEC1	ASSEMBLY	油封		2	TBD
22	M5GBH8AEF-U	PART	上襯套	Up Bushing	2	
21	M5GBH8AEF-D	PART	下襯套	Lower Bushing	2	
20	M5GAEEB-300	PART	內管下座(加內管用)	Cap	1	TBD
19	M5GAEDGA229	PART	骨力腳下座		1	
18	M5GAECBA316	PART	避震器彈簧		1	Φ40x110
17	M5GAECBA160	PART	避震器彈簧		1	Φ40x110
16	M5GAEBAZ200	PART	調整墊	Rebound Knob	1	068584
15	M5GAE9DA183	PART	氣嘴蓋	Air Cap	1	TBD
14	M5GACCI027-01	PART	定位銷		1	3.5x13.4
13	M5GAC9-1004	PART	六角六角螺絲	HEX Bolts	1	M3X0.5X10L
12	M5GACB-0731	PART	線圈固定夾	Wire Clip	1	For M3x0.5
11	M5GACB-001	PART	下座墊片		1	040968
10	M5GAC6002	PART	圓錐六角螺絲(NYSEAL)	bolts(NYSEAL)	1	M5X0.8X15L
9	M5FPX-2Y21-000	PART	墊片	Washer	1	
8	M5FKD-2723-000	PART	旋轉軸	pivot	2	M10X1.25
7	H5GDPBAD32	ASSEMBLY			1	
6	H5GDPBAD14	ASSEMBLY	11" TITAN 140/120 液壓避震器	Hydraulic Damping Assembly	1	
5	H5GDPPCR80	ASSEMBLY	固定導引組(含彈簧)	Fixed Guide Assembly	1	
4	H5GAEOLP32	ASSEMBLY	空氣彈簧	Air Piston	1	
3	8064A-00900	PART	O型環	O-ring	1	P9
2	3052D-30000	PART	孔用C型夾	C-Clip	1	1R30
1	1022A-02515	PART	螺絲	Bolt	1	M2.5X0.45X15L

Bill of material

MATERIAL	Assembly	Q'TY	1	MODEL	14" TITAN PLATFORM(140)
UNIT	MM	SCALE	0.650	DRAW NO	PGE010JJ- rev. 1.0
FASHING	TREAT			NAME	爆炸圖
DESIGN	DRAWING	CHECK	CONFIG	APPE	RST