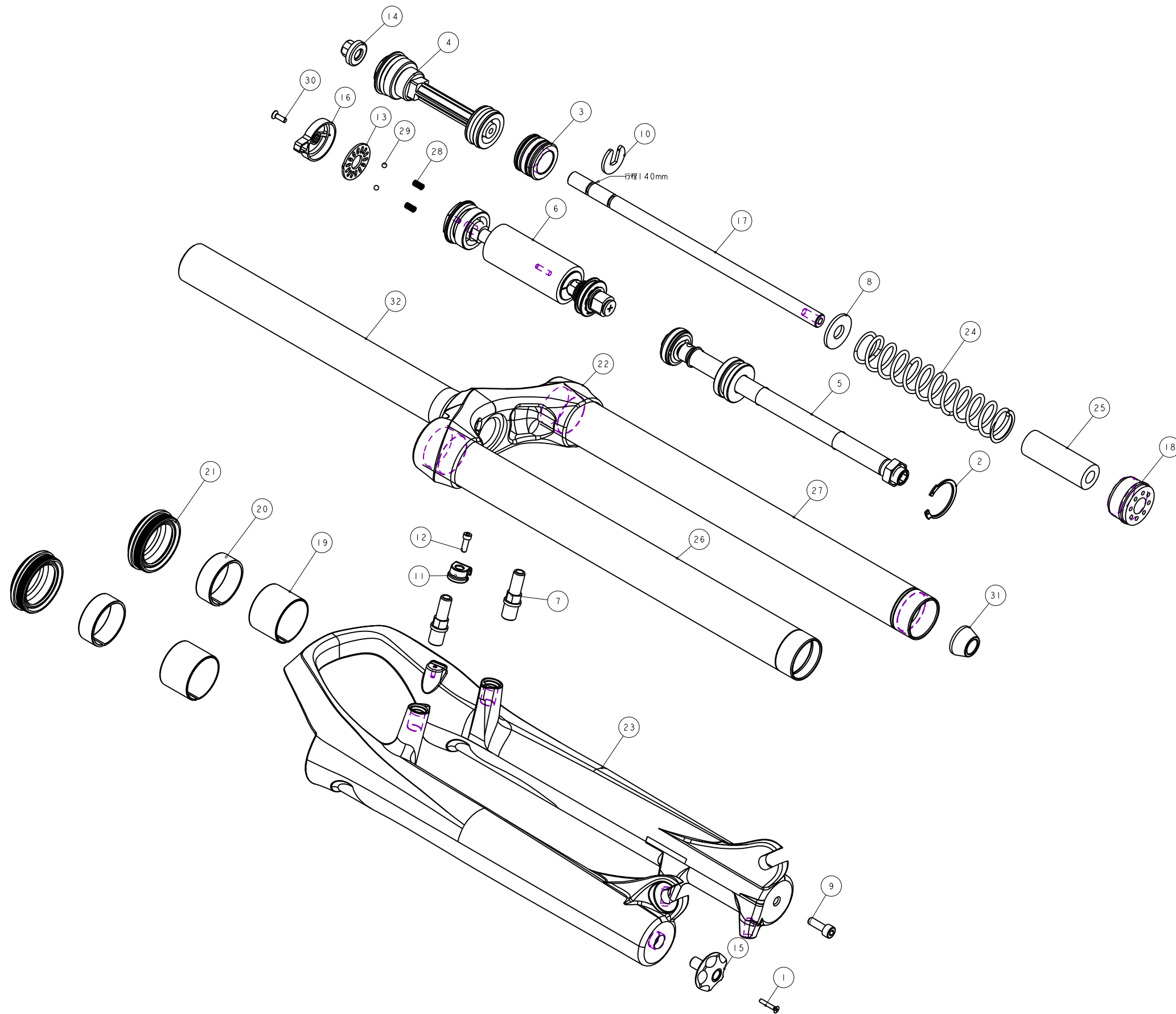


機械加工尺寸一般容許公差					REV.	DATE	DESCRIPTION	CHANGER	CHECK
尺寸	長度	尺寸	孔徑	軸徑					
1 <= 10	±0.2	1 <= 10	+0.2 -0.2	+0 -0					
10.001 <= 100	±0.3	10.001 <= 100	+0.3 -0.3	+0 -0					
100.001 <= 250	±0.5	100.001 <= 250	+0.5 -0.5	+0 -0					
250.001 <= 500	±0.8	250.001 <= 500	+1.0 -1.0	+1.0 -1.0					
500 <	±1.3	500 <	+1.5 -1.5	+1.5 -1.5					



NOTE:  
此圖面共用 TITAN AIR 系列, 除外管須依表更換外, 其餘零件皆相同

品號	外管	規格說明
PGE010FJ-	M5GFRH11-0100 有軸外管	有軸 行程140mm 總高520mm
PGE011FJ-	M5GFRH11-1100 無軸外管	無軸 行程140mm 總高520mm

NO	PART NO	TYPE	CHINESE NAME	ENGLISH NAME	QTY	NOTE
32	MFBV-286-700	PART	轉臂	Steerer	1	040550
31	M5S32-2310-000	PART	緩衝墊	Top-Out Bumper	1	*21.5X11.5
30	M5R22-2Y11-100	PART	螺絲帽	bolit	1	M3X0.5
29	M5K43-2730-000	PART	鋼球	Steel ball	2	*4
28	M5K43-2351-000	PART	彈簧	Spring	2	Pitch 0.85
27	M5GST2EE345H000	PART	內管加工	Slanchion	1	345L
26	M5GST2EA345H000	PART	內管加工	slanchion	1	345L
25	M5GSPBB-4055	PART	緩衝墊	Bumper	1	
24	M5GSPB1127-294	PART	彈簧	Spring	1	067818
23	M5GFRH11-0100	PART	II'TITAN'外管加工	Casting	1	TBD
22	M5GCR1-FDZA2000	PART	II'SATURN'鋼殼	Crown	1	
21	M5GBH8CEC1	ASSEMBLY	油封		2	TBD
20	M5GBH8AEF-U	PART	上襯套	Up Bushing	2	
19	M5GBH8AEF-D	PART	下襯套	Lower Bushing	2	
18	M5GAEB-300	PART	內管下蓋(無外管用)	Cap	1	TBD
17	M5GAE2GA229	PART	動力桿下座		1	
16	M5GAE2TN38	PART	緩衝彈簧	OCR KNOBS	1	073060
15	M5GAE2AZ200	PART	緩衝墊	Rebound Knob	1	068584
14	M5GAE9DA183	PART	氣帽	Air Cap	1	TBD
13	M5GAE9CS27-1	PART	OCR緩衝彈簧墊片	shim	1	073059-01
12	M5GAC9-1004	PART	六角螺絲	HEX Bolts	1	M3X0.5X10L
11	M5GAC8-0731	PART	線圈固定夾	Wire Clip	1	For M3x0.5
10	M5GAC8-001	PART	下蓋墊片		1	040968
9	M5GAC6002	PART	螺絲帽( NYSEAL )	bolit(NYSEAL)	1	M5X0.8X15L
8	M5FPX-2Y21-000	PART	墊片	Washer	1	
7	M5FKD-2723-000	PART	軸承	pivot	2	M10X1.25
6	H5GDPEAK30B	ASSEMBLY	鎖死組	lock-out Assembly	1	
5	H5GDPBAD14	ASSEMBLY	II'TITAN'140/120'液壓減震器	Hydraulic Damping Assembly	1	
4	H5GDP0CR80	ASSEMBLY	固定導引組(含彈簧)	Fixed Guide Assembly	1	
3	H5GAE0LP32	ASSEMBLY	汽缸組	Air Piston	1	
2	3052D-30000	PART	孔鎖心止輪	C-Clip	1	1R30
1	1022A-02515	PART	螺絲帽	Bolit	1	M2.5X0.45X15L

Bill of material

MATERIAL	Assembly	Q'TY	1	MODEL	14'TITAN AIR(140)
UNIT	MM	SCALE	0.700	DRAW NO	PGE010FJ- rev. 1.0
FASHING	TREAT			NAME	爆炸圖
DESIGN	DRAWING	CHECK	CONFIG	APPE	RST