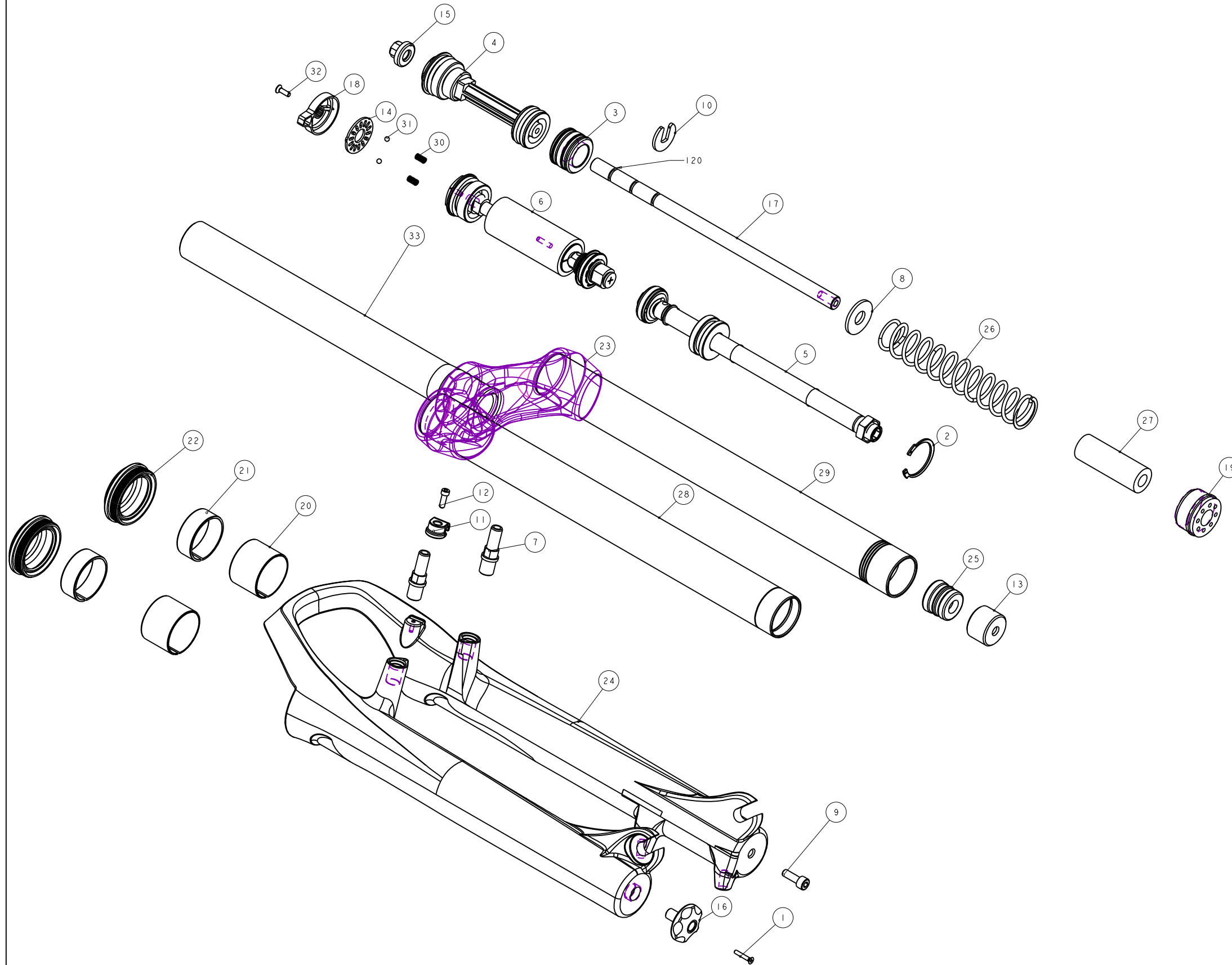


機械加工尺寸一般容許公差					REV.	DATE	DESCRIPTION	CHANGER	CHECK
尺寸	長度	尺寸	孔徑	軸徑					
1 <= 10	±0.2	1 <= 10	+0.2 -0	+0 -0.2					
10.001 <= 100	±0.3	10.001 <= 100	+0.3 -0	+0 -0.3					
100.001 <= 250	±0.5	100.001 <= 250	+0.5 -0	+0 -0.5					
250.001 <= 500	±0.8	250.001 <= 500	+1.0 -0	+0 -1.0					
500 <	±1.3	500 <	+1.5 -1.0	+0 -1.5					



NO	PART NO	TYPE	CHINESE NAME	ENGLISH NAME	QTY	NOTE
33	MFBV-286-700	PART	轉向管	Steerer	1	040550
32	M5R22-2Y11-100	PART	螺絲螺絲	bolt	1	M3X0.5
31	M5K43-2730-000	PART	小鋼球	Steel ball	2	#4
30	M5K43-2351-000	PART	彈簧	Spring	2	Pitch 0.85
29	M5GST2EE328H100	PART	內管加工	Stanchion	1	345L
28	M5GST2EA328H100	PART	內管加工	stanchion	1	345L
27	M5GSPBB-4055	PART	緩衝墊	Bumper	1	
26	M5GSPB1127-294	PART	彈簧	Spring	1	067818
25	M5GSPB-401	PART	緩衝墊	Top-Out Bumper	1	#24X20LX40M
24	M5GFRH11-0100	PART	11" TITAN 內管加工	Casting	1	TBD
23	M5GCRO1FDZA2000	PART	鋼管殼	Crown	1	
22	M5GBH8CEC1	ASSEMBLY	油封		2	TBD
21	M5GBH8AEF-U	PART	上襯套	Up Bushing	2	
20	M5GBH8AEF-D	PART	下襯套	Lower Bushing	2	
19	M5GAEEB-300	PART	內管下蓋 (無內管用)	Cop	1	TBD
18	M5GAEBTN38	PART	鎖死螺絲	OCR KNOBS	1	073060
17	M5GAEBA225	PART	緩力彈下座		1	
16	M5GAEBAZ200	PART	緩震器	Rebound Knob	1	068584
15	M5GAE9DA183	PART	氣嘴蓋	Air Cap	1	TBD
14	M5GAE9CS27-1	PART	OCR 鋼網彈簧垫片	shim	1	073059-01
13	M5GAE0JP18	PART	外管座	Bottom-Out Spacer	1	
12	M5GAC9-1004	PART	六角螺絲	HEX Bolts	1	M3X0.5X10L
11	M5GAC8-0731	PART	線夾固定夾	Wire Clip	1	For M3x0.5
10	M5GAC8-001	PART	下座垫片		1	040968
9	M5GAC6002	PART	圓錐六角螺絲 (NYSEAL)	bolt (NYSEAL)	1	M5X0.8X15L
8	M5FPX-2Y21-000	PART	垫片	Washer	1	
7	M5FKD-2723-000	PART	螺絲軸	pivot	2	M10X1.25
6	H5GDPEAK30B	ASSEMBLY	鎖死螺絲	lock-out Assembly	1	
5	H5GDPBAD14	ASSEMBLY	11" TITAN 140/120 液壓器	Hydraulic Damping Assembly	1	
4	H5GDP0CR80	ASSEMBLY	固定導引組 (含螺絲)	Fixed Guide Assembly	1	
3	H5GAE0LP32	ASSEMBLY	活瓣組	Air Piston	1	
2	3052D-30000	PART	孔用 C 夾	C-Clip	1	1R30
1	1022A-02515	PART	螺絲	Bolt	1	M2.5X0.45X15L

NOTE:  
1. 此圖面共用 TITAN AIR 120 系列, 除外管外, 其餘皆相同

品號	外管	規格說明
PGC010FG-	M5GFRH11-0100 有軸外管	有軸 標準頭管徑 行程120mm 總高500mm
PGC011FG-	M5GFRH11-1100 無軸外管	無軸 標準頭管徑 行程120mm 總高500mm

Bill of material						
MATERIAL	Assembly	Q'TY	1	MODEL	14" TITAN AIR (120)	
UNIT	MM	SCALE	0.700	DRAW NO	PGE010FG-	rev. 1.0
FASHING	TREAT			NAME	爆炸圖	
DESIGN	DRAWING	CHECK	CONFIG	APPE	RST	