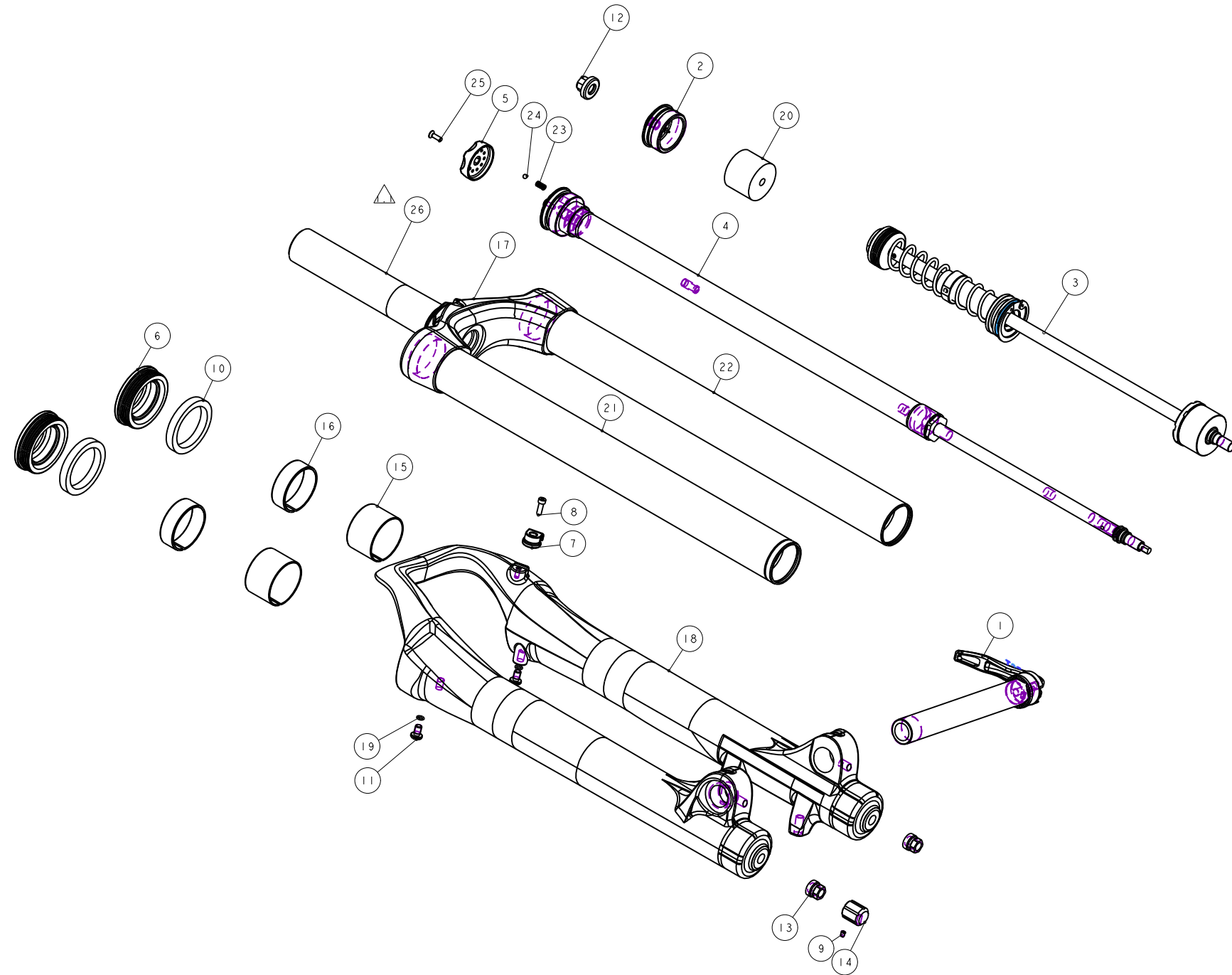


機械加工尺寸一般容許公差					REV.	DATE	DESCRIPTION	CHANGER	CHECK
尺寸	長度	尺寸	孔徑	軸徑	△	4Jul'14	調整及小鋼珠用修正	蔡博賢	
1 <= 10	±0.2	1 <= 10	+0.2 -0.2	+0.2 -0.2	△	26Aug'14	新增零件 MFVY-286-900-MFVY-286-901	蔡博賢	
10.001 <= 100	±0.3	10.001 <= 100	+0.3 -0.3	+0.3 -0.3	△	19Nov'14	STITCH 26 BOM更新 1.取消M5GSPEC-73215 2.H5GDPEBE366-26X →H5GDPEBE368-26X	蔡博賢	
100.001 <= 250	±0.5	100.001 <= 250	+0.5 -0.5	+0.5 -0.5					
250.001 <= 500	±0.8	250.001 <= 500	+1.0 -1.0	+1.0 -1.0					
500 <	±1.3	500 <	+1.5 -1.5	+1.5 -1.5					

△ NOTE:
1. 此圖面共用於STITCH AIR全系列
2. STITCH 27.5/26/TA/QR 依下表更換零件

項目	1	2	3	4
成品品號	PGF059FM- (180mm) PGF059FU- (170mm) PGF059FL- (160mm)	PGF057FM- (180mm) PGF057FU- (170mm) PGF057FL- (160mm)	PGF060FM- (180mm) PGF060FU- (170mm) PGF060FL- (160mm)	PGF058FM- (180mm) PGF058FU- (170mm) PGF058FL- (160mm)
內管替換品號	M5GST2FA380H000 M5GST2FE380H100	M5GST2FA365H100 M5GST2FE365H200	M5GST2FA380H000 M5GST2FE380H100	M5GST2FA365H100 M5GST2FE365H200
外管替換品號	M5GFRB82-1100	M5GFRB82-1100	M5GFRB82-1000	M5GFRB82-1000
OCRC+替換品號	H5GDPEBE366-X	H5GDPEBE368-26X	H5GDPEBE366-X	H5GDPEBE368-26X
發泡膠力膠品號	M5GSPEC-73225	/	M5GSPEC-73225	/
優力膠下座品號	H5GAEHA036-271 (180mm) H5GAEHA036-272 (170mm) H5GAEHA036-273 (160mm)	H5GAEHA036-261 (180mm) H5GAEHA036-262 (170mm) H5GAEHA036-263 (160mm)	H5GAEHA036-271 (180mm) H5GAEHA036-272 (170mm) H5GAEHA036-273 (160mm)	H5GAEHA036-261 (180mm) H5GAEHA036-262 (170mm) H5GAEHA036-263 (160mm)
20軸心品號	H5GACF1206	H5GACF1206	/	/
快拆組品號	/	/	M5FD9-2140-100(左軸套) *1 M5FD9-2141-100(右軸套) *1 M5GAC06010(螺絲) *2	M5FD9-2140-100(左軸套) *1 M5FD9-2141-100(右軸套) *1 M5GAC06010(螺絲) *2
說明	STITCH 27.5-TA	STITCH 26-TA	STITCH 27.5-QR	STITCH 26-QR



26	MFVY-286-901	PART	轉向管		1	none
25	M5R22-2Y11-000	PART	螺絲小螺絲	ball	1	M3X0.5
24	M5K43-2730-000	PART	小鋼珠	Steel ball	1	#4
23	M5K43-2351-000	PART	彈簧	Spring	1	Pitch 0.85
22	M5GST2FE380H100	PART	36段內管(氣用)	stanchion	1	#36X320L
21	M5GST2FA380H000	PART	36段外管(油用)	stanchion	1	#36X320L
20	M5GSPEC-73225	PART	發泡膠力膠		2	
19	M5GORF-010-0040	PART	O型環		2	
18	M5GFRB82-1000	PART	b82外管		1	
17	M5GCR81GFZA2000	PART	138螺絲管(噴油嘴螺絲)	Crown	1	
16	M5GBHF AFA-U	PART	上襯套	Up Bushing	2	
15	M5GBHF AFA-D	PART	下襯套	Lower Bushing	2	
14	M5GAEAA013	PART	OCRC+回彈調整鎖		1	
13	M5GAEDLA104	PART	底孔固定螺帽		2	
12	M5GAE9DA183	PART	氣筒蓋	Air Cap	1	T80
11	M5GACF0114	PART	阻油螺絲		2	
10	M5GACE0910-36	PART	油包棉		2	
9	M5GACC0930-01	PART	止付螺絲	Grub screw	1	M3X4L
8	M5GAC9-1004	PART	六角螺絲	HEX Bolts	1	M3X0.5X10L
7	M5GAC8-0731	PART	鐵式固定夾	Wire Clip	1	For M3X0.5
6	M5FXV-2611-000	PART	36油封	Oil Seal	2	
5	M5AK62-2160-000	PART	PFP調整座	Rebound adjust cap	1	069480
4	H5GDPEBE366-X	ASSEMBLY	OCRC+鐵死棒		1	
3	H5GAEHA036-271	ASSEMBLY	優力膠下座組		1	
2	H5GAEBA335	ASSEMBLY	氣筒組		1	
1	H5GACF1206	ASSEMBLY	20軸心快拆		1	
NO	PART NO	TYPE	CHINESE NAME	ENGLISH NAME	QTY	NOTE

Bill of material

MATERIAL	ASSEMBLY	Q'TY	1	MODEL	15' STITCH AIR-TA 27.5/26 (180/170/160)
UNIT	MM	SCALE	0.500	DRAW NO	PGF059FM- rev. 1.2
FASHING	TREAT			NAME	爆炸圖
DESIGN	DRAWING	CHECK	CONF IG	APPE	
					RST