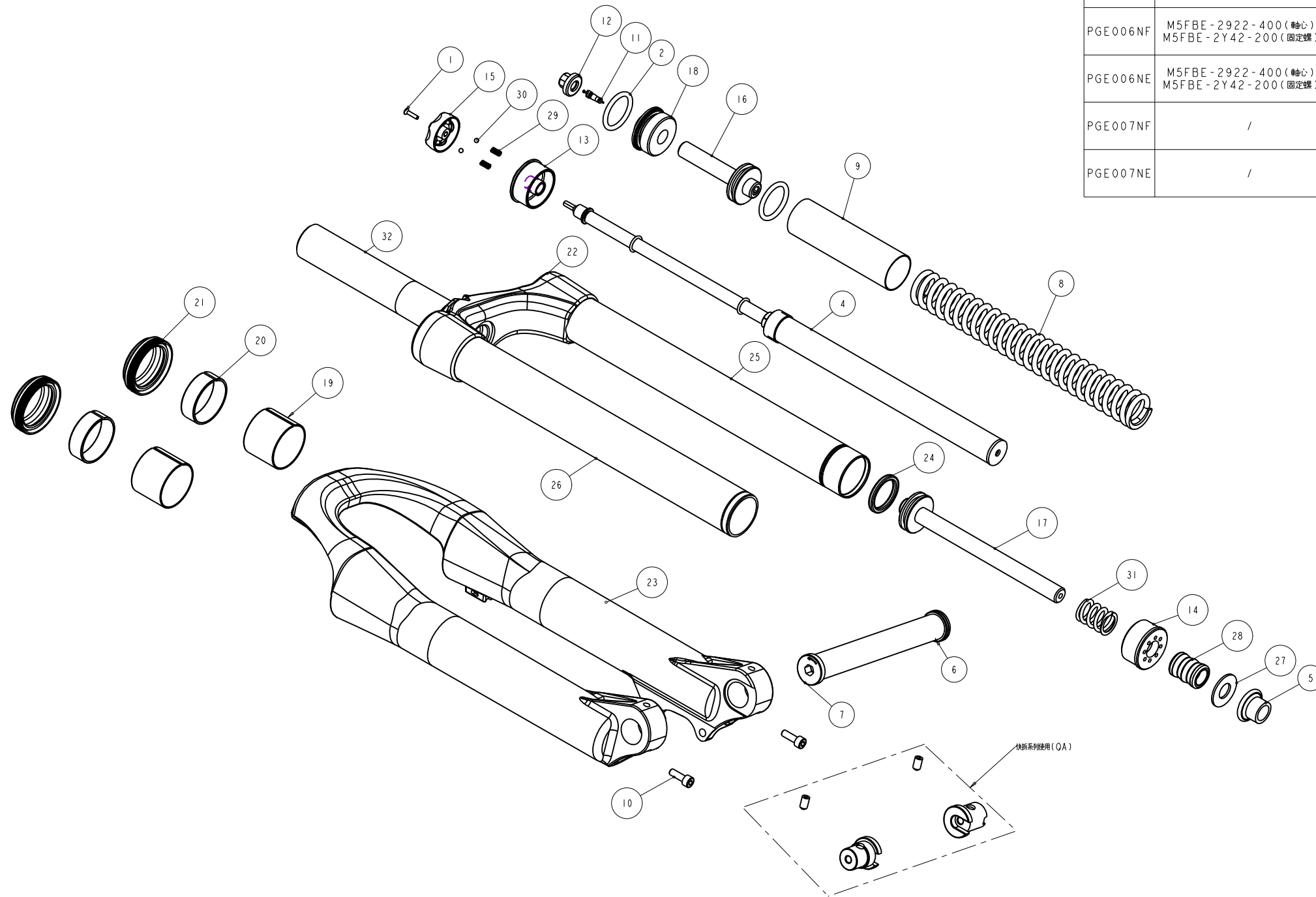


機械加工尺寸一般容許公差					REV.	DATE	DESCRIPTION	CHANGER	CHECK
尺寸	長度	尺寸	孔徑	軸徑					
1 <= 10	±0.2	1 <= 10	+0.2 0	+0.2 0					
10.001 <= 100	±0.3	10.001 <= 100	+0.3 0	+0.3 0					
100.001 <= 250	±0.5	100.001 <= 250	+0.5 0	+0.5 0					
250.001 <= 500	±0.8	250.001 <= 500	+1.0 0	+1.0 0					
500 <	±1.3	500 <	+1.5 -1.5	+1.5 -1.5					

NOTE:

1. 此圖面共用於SPACE JUMP全系列
2. 除優力膠下座組、20軸心及快折組需依列表更換外，其於料件皆為共用

成品品號	20軸心組料件	快折組料件	優力膠下座	規格說明
PGE006NF	M5FBE-2922-400(軸心)*1 M5FBE-2Y42-200(固定螺)*1	/	M5GAECA160	行程100mm、總高485、20軸心(TA)
PGE006NE	M5FBE-2922-400(軸心)*1 M5FBE-2Y42-200(固定螺)*1	/	M5GAECA140	行程80mm、總高465、20軸心(TA)
PGE007NF	/	M5FD9-2140-100(左軸套)*1 M5FD9-2141-100(右軸套)*1 MSGAC06010(螺絲)*2	M5GAECA160	行程100mm、總高485、快折(OR)
PGE007NE	/	M5FD9-2140-100(左軸套)*1 M5FD9-2141-100(右軸套)*1 MSGAC06010(螺絲)*2	M5GAECA140	行程80mm、總高465、快折(OR)



NO	PART NO	CHINESE NAME	ENGLISH NAME	QTY	NOTE
32	MFBV-286-300	PART	轉內管	1	備註
31	M5X43-2350-000	PART	彈簧彈簧	1	063588
30	M5K43-2730-000	PART	小鋼珠	2	#4
29	M5K42-2351-000	PART	彈簧	2	Pitch 0.85
28	M5K42-2310-000	PART	緩衝墊	1	.
27	M5K41-2Y20-000	PART	墊片	1	069562
26	M5GST2FK320H100	PART	緩衝管	1	#36X320L
25	M5GST2FE320H000	PART	緩衝管	1	#36X320L
24	M5GOR8-01120	PART	O-RING	1	065516
23	M5GFRD91-0000	PART	外管	1	
22	M5GCR9-GFZA2000	PART	138級油封(磁石)	1	
21	M5GBH8CFC1	ASSEMBLY	油封36內管用	2	TBD
20	M5GBH8AFF-U	PART	上襯套	2	
19	M5GBH8AFF-D	PART	下襯套	2	
18	M5GAEEA335	PART	加壓固定座	1	
17	M5GAECA160	PART	優力膠下座	1	
16	M5GAECA075	PART	優力膠下座	1	
15	M5GAEAZ034	PART	調整螺絲	1	
14	M5GAE9NB340	PART	內管下座(氣內管用)	1	TBD
13	M5GAE9DZ335	PART	DT固定座(DA, TNL共用)	1	
12	M5GAE9DA183	PART	加壓蓋	1	TBD
11	M5GAC8-1212-1	PART	氣心	1	061751
10	M5GAC6002	PART	圓錐六角螺絲(NYSEAL)	2	M5X0.8X15L
9	M5GAC-100-30	PART	彈簧護套	1	NBR
8	M5FVX-2350-000	PART	彈簧	1	TBD
7	M5FBE-2Y42-200	PART	固定螺	1	TBD
6	M5FBE-2922-400	PART	軸心	1	#20X151L
5	M5F53-2162-000	PART	外管座	1	066288
4	H5GDP8BD130	ASSEMBLY	RA回彈調整器	1	
3	ASM0001	ASSEMBLY	09 SPACE外管組(20軸心)	1	
2	8064A-02600	PART	O形環	2	P26
1	1022A-02512C-B	PART	六角螺絲(螺)	1	M2.5x0.45

Bill of material

MATERIAL	ASSEMBL	Q'TY	SCALE	MODEL	14'SPACE JUMP TA(80/100mm)
UNIT	MM	0.550		DRAW NO	PGE006NF - rev. 1.0
FASHING	TREAT			NAME	爆炸圖
DESIGN	DRAWING	CHECK	CONF IG	APPE	RST