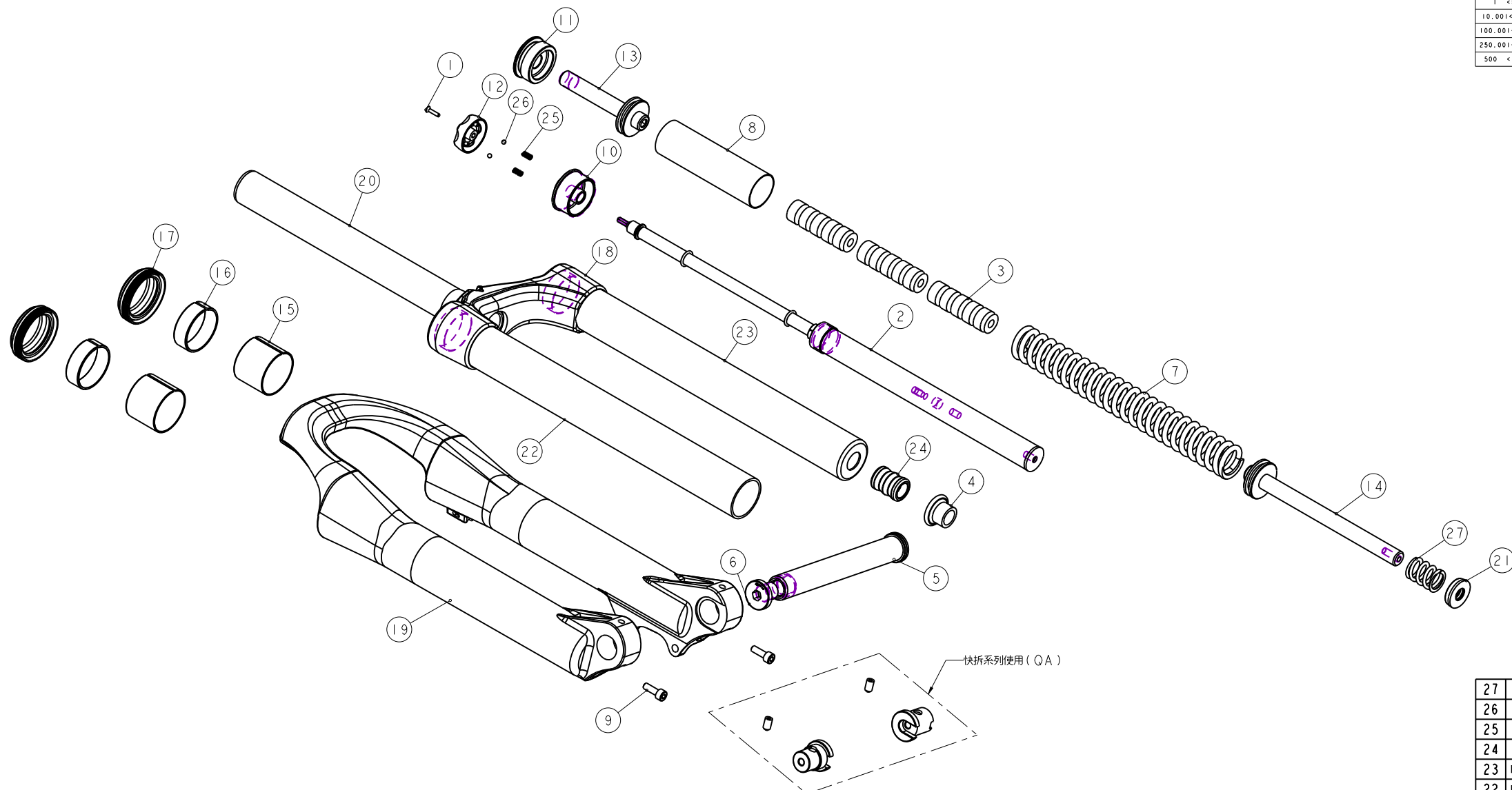


機械加工尺寸一般容許公差					REV.	DATE	DESCRIPTION	CHANGER	CHECK
尺寸	長度	尺寸	孔徑	軸徑					
1 <= 10	±0.2	1 <= 10	+0.2 -0	+0 -0.2					
10.001 <= 100	±0.3	10.001 <= 100	+0.3 -0	+0 -0.3					
100.001 <= 250	±0.5	100.001 <= 250	+0.5 -0	+0 -0.5					
250.001 <= 500	±0.8	250.001 <= 500	+1.0 -0	+0 -1.0					
500 <	±1.3	500 <	+1.5 -1.0	+0 -1.5					



NOTE:  
 1. 此圖面共用於SPACE FERR全系列  
 2. 除優力膠下座組、20軸心及快拆組需依列表更換外，其於料件皆為共用

成品品號	20軸心組料件	快拆料件	優力膠下座	規格說明
PGE006MF	M5FBE-2922-400(軸心)*1 M5FBE-2Y42-200(固定螺)*1	/	M5GAECA160	行程100mm·總高485·20軸心(TA)
PGE006ME	M5FBE-2922-400(軸心)*1 M5FBE-2Y42-200(固定螺)*1	/	M5GAECA140	行程80mm·總高465·20軸心(TA)
PGE007MF	/	M5FD9-2140-100(左軸套)*1 M5FD9-2141-100(右軸套)*1 M5GAC06010(螺絲)*2	M5GAECA160	行程100mm·總高485·快拆(QR)
PGE007ME	/	M5FD9-2140-100(左軸套)*1 M5FD9-2141-100(右軸套)*1 M5GAC06010(螺絲)*2	M5GAECA140	行程80mm·總高465·快拆(QR)

27	M5X43-2350-000	PART	彈簧鋼	SPRING	1	063588
26	M5K43-2730-000	PART	小鋼球	Steel ball	2	#4
25	M5K43-2351-000	PART	彈簧	Spring	2	Pitch 0.85
24	M5K42-2310-000	PART	彈簧墊	Top-Out Bumper	1	.
23	M5GSTEF1320B100	PART	內管	slanchion	1	#36X320L
22	M5GSTEF0320B100	PART	內管	slanchion	1	#36X320L
21	M5GSPB-5006-2	PART	彈簧墊	Top-Out Bumper	1	#24X#10.5X6L
20	M5GRTG26000	PART	轉向管	STEERER	1	#28.6 260L
19	M5GFRD91-0000	PART	外管	Outer Leg	1	
18	M5GCR9-GFZA2000	PART	138齒鋼彈簧(橡膠球)	CROWN	1	
17	M5GBH8CFC1	ASSEMBLY	油封36內徑用	Oil Seal	2	TBD
16	M5GBH8AFF-U	PART	上襯套	Up Bushing	2	
15	M5GBH8AFF-D	PART	下襯套	Lower Bushing	2	
14	M5GAECA160	PART	壓力膠下座	Compression Rod	1	
13	M5GAECA085	PART	壓力膠下座	Compression Rod	1	
12	M5GAEAZ034	PART	彈簧帽	Cap	1	
11	M5GAE9NA335	PART	內管上蓋	Cap	1	066287
10	M5GAE9DZ335	PART	DT固定座(DA, TNL用)	DT anchorage	1	
9	M5GAC6002	PART	彈簧大內徑( NYSEAL)	boltt(NYSEAL)	2	M5X0.8X15L
8	M5GAC-100-30	PART	彈簧套	Spring Sheath	1	NBR
7	M5FVX-2353-100	PART	彈簧	Spring	1	TBD
6	M5FBE-2Y42-200	PART	固定螺	Bolt	1	TBD
5	M5FBE-2922-400	PART	軸心	Twenty Axis	1	#20X151L
4	M5F53-2162-000	PART	彈簧墊	Bottom-out spacer	1	066288
3	M231-D18-L60-60	PART	壓縮彈簧	Compressible buna	3	#18X60L
2	H5GDP88D130	ASSEMBLY	彈簧調整器	Rebound adjust Assembly	1	
1	1022A-02512C-B	PART	六角螺絲(螺)	HEX BOLT	1	M2.5x0.45
NO	PART NO	TYPE	CHINESE NAME	ENGLISH NAME	QTY	NOTE

Bill of material						
MATERIAL	ASSEMBLY	Q'TY	1	MODEL	14"SPACE FREE TA(80/100mm)	
UNIT	MM	SCALE	0.500	DRAW NO	PGE006MF-	rev. 1.0
FASHING	TREAT			NAME	爆炸圖	
DESIGN	DRAWING	CHECK	CONFIG	APPE	RST	