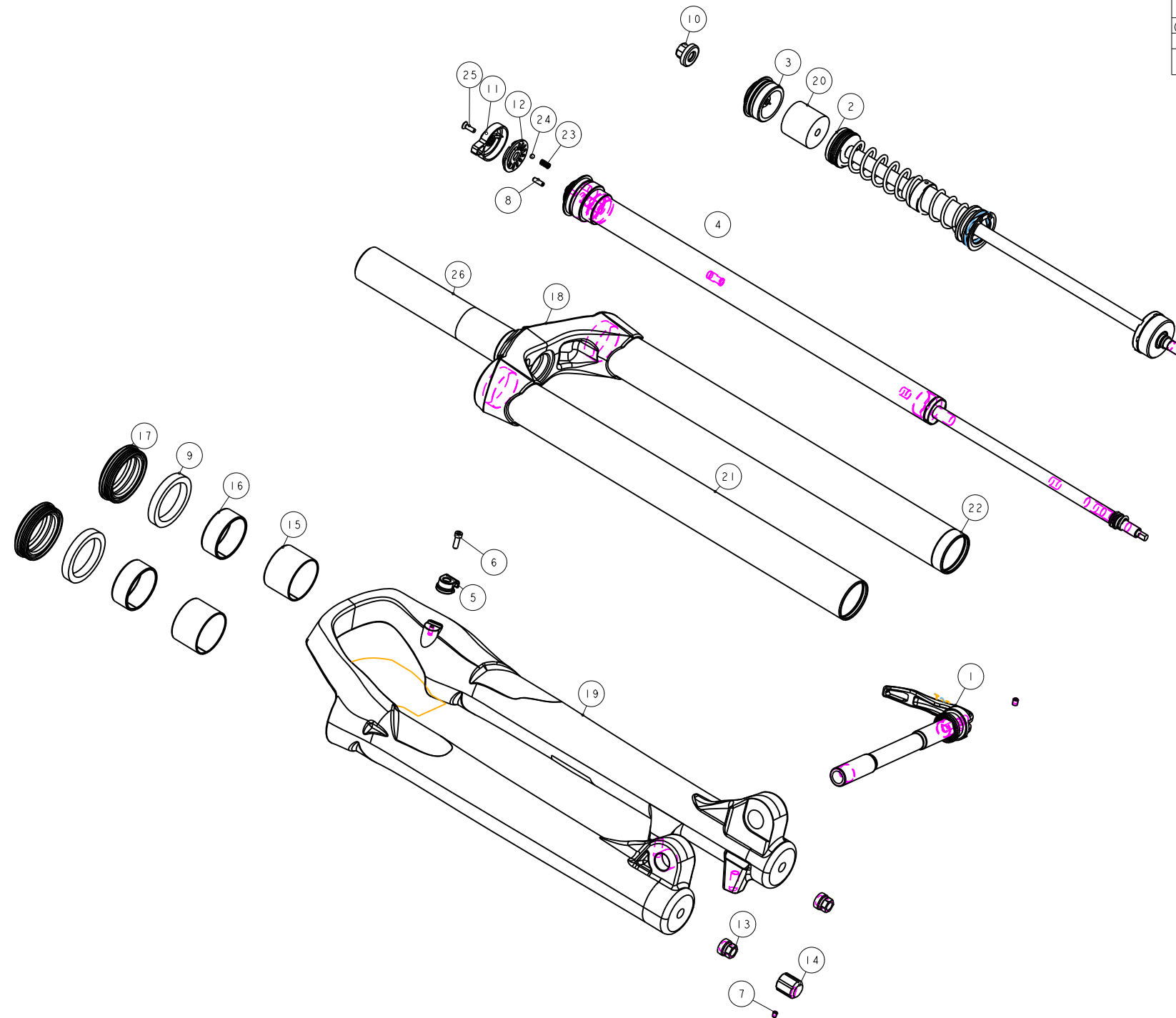


機械加工尺寸一般容許公差					REV.	DATE	DESCRIPTION	CHANGER	CHECK
尺寸	長寬高	尺寸	孔徑	軸徑	△	18 AUG'14	增加M5GACE0910-34	許智強	
1 < 10	±0.2	1 < 10	+0.2 -0.3	+0.2 -0.2					
10.001 < 100	±0.3	10.001 < 100	+0.3 -0.3	+0.3 -0.3					
100.001 < 250	±0.5	100.001 < 250	+0.5 -0.5	+0.5 -0.5					
250.001 < 500	±0.8	250.001 < 500	+1.0 -1.0	+1.0 -1.0					
500 <	±1.3	500 <	+1.5 -1.5	+1.5 -1.5					

成品品號	PGF070FL	PGF070FK	PGF070FJ	PGF069FL	PGF069FK	PGF069FJ
優力膠下座組	H5GAEHA0034-1	H5GAEHA0034-2	H5GAEHA0034-3	H5GAEHA0134-1	H5GAEHA0134-2	H5GAEHA0134-3
OCRC + 替換品號	H5GDPEBE322-X					
行程	160	150	140	160	150	140
說明	ROGUE AIR 27.5-15			ROGUE AIR 26-15		



NO	PART NO	TYPE	CHINESE NAME	ENGLISH NAME	QTY	NOTE
26	MFBV-286-300	PART	轉向管	Steerer	1	請看圖色
25	M5R22-2Y11-100	PART	埋頭小螺絲	bolt	1	M3X0.5
24	M5K43-2730-000	PART	小鋼珠	Steel ball	1	#4
23	M5K43-2351-000	PART	彈簧	Spring	1	Pitch 0.85
22	M5GST2JE365H100	PART	34路內管_氣避	stanchion	1	
21	M5GST2JA365H000	PART	34路內管_油避	stanchion	1	
20	M5GSPEC-72825	PART	發泡膠力膠		1	
19	M5GFRG11-1100	PART	ROGUE外管加工		1	螺絲2个
18	M5GCRE-FGZA2000	PART	FIRST 34鋼管座	Crown	1	
17	M5GBHECKC1	ASSEMBLY	油封		2	
16	M5GBHEBLA-U	PART	34上襯套	Bush_u	2	
15	M5GBHEBLA-D	PART	34下襯套	Bush_u	2	
14	M5GAEAA013	PART	OCRC + 回彈調整鈕		1	
13	M5GAEDLA104	PART	底孔固定螺帽		2	
12	M5GAECSS274	PART	鍍死調整座墊片	shim	1	073059-01
11	M5GAEBTN38-1	PART	鍍死調整座	OCR KNOBS	1	073060
10	M5GAE9DA183	PART	氣筒蓋	Air Cap	1	TBD
9	M5GACE0910-34	PART	泡棉		2	
8	M5GACC1109-01	PART	定位銷		1	3.5x9.5
7	M5GACC0930-01	PART	止付螺絲	Grub screw	1	M3X4L
6	M5GAC9-1004	PART	圓頭內六角螺絲	HEX Bolts	1	M3X0.5X10L
5	M5GAC8-0731	PART	鎖式固定夾	Wire Clip	1	For M3x0.5
4	H5GDPEBE322-X	ASSEMBLY	OCRC +		1	
3	H5GAEAA031	ASSEMBLY	氣筒座組		1	
2	H5GAEHA0034-1	ASSEMBLY	ROGUE 27.5優力膠下座組		1	
1	H5GACE1206	ASSEMBLY	新15軸心		1	

Bill of material

MATERIAL	ASSEMBLY	Q'TY	SCALE	MODEL	15'ROGUE (140/150/160)
UNIT	MM		0.500	DRAW NO	PGF070FL rev. 1.1
FASHING	TREAT			NAME	爆炸圖
DESIGN	DRAWING	CHECK	CONFIG	APPE	RST