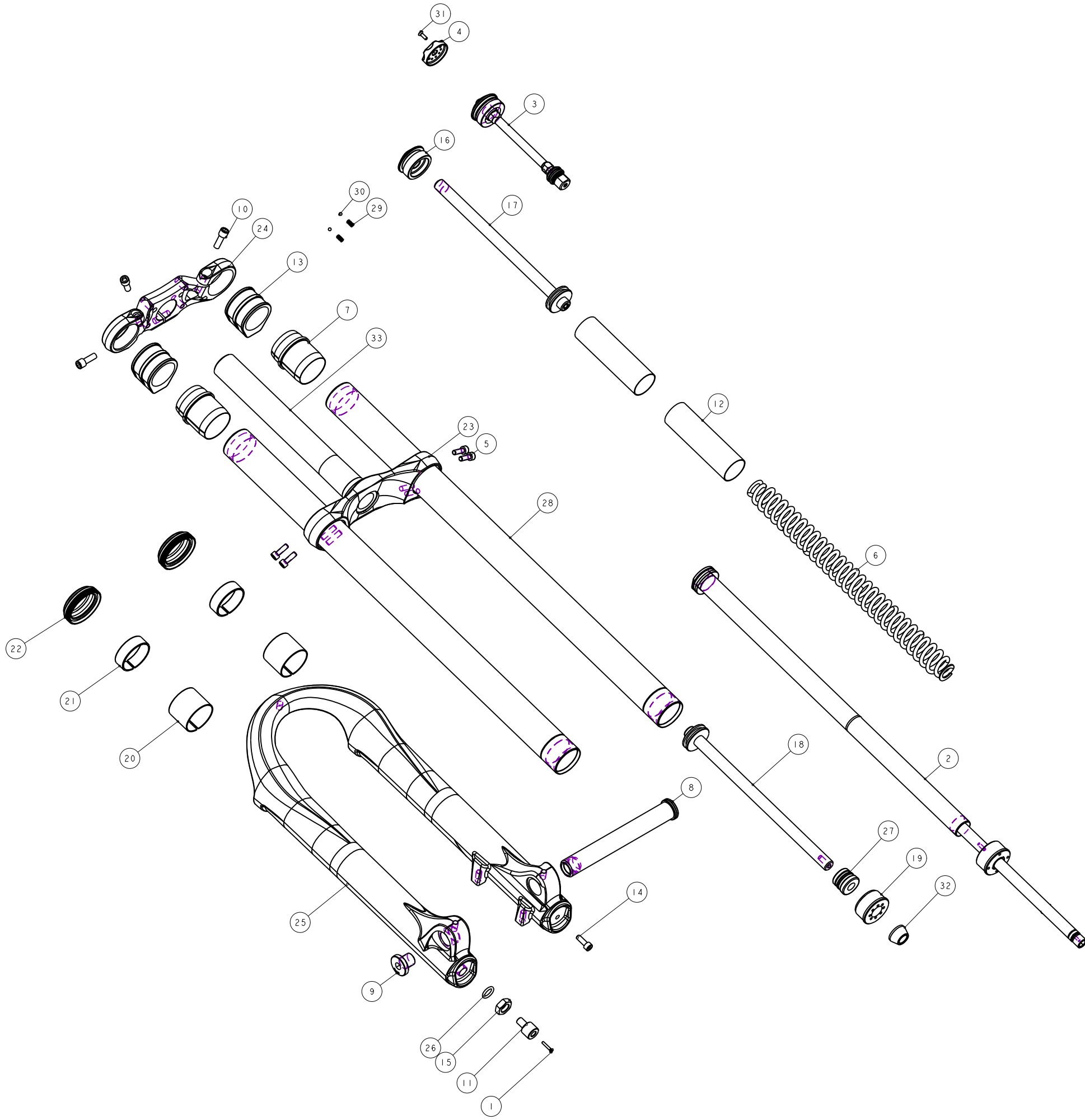


機械加工尺寸一般容許公差					REV.	DATE	DESCRIPTION	CHANGER	CHECK
尺寸	長度	尺寸	孔徑	軸徑					
1 <= 10	±0.2	1 <= 10	+0.2 -0.2	+0.2 -0.2					
10.001 <= 100	±0.3	10.001 <= 100	+0.3 -0.3	+0.3 -0.3					
100.001 <= 250	±0.5	100.001 <= 250	+0.5 -0.5	+0.5 -0.5					
250.001 <= 500	±0.8	250.001 <= 500	+1.0 -1.0	+1.0 -1.0					
500 <	±1.3	500 <	+1.5 -1.5	+1.5 -1.5					



33	MFAF-286-000	PART	轉向管	Sleerer	1	
32	M5S32-2310-000	PART	緩衝墊	Top-Out Bumper	2	φ21.5X11.5
31	M5R22-2Y11-000	PART	螺絲小螺絲	bolit	1	M3X0.5
30	M5K43-2730-000	PART	小鋼珠	Steel ball	2	φ4
29	M5K43-2351-000	PART	彈簧	Spring	2	Pitch 0.85
28	M5GST2FC560H100	PART	站筒管	stanchion	2	φ36X320L
27	M5GSPB-401	PART	緩衝墊	Top-Out Bumper	1	φ24X20LX40mm
26	M5GOR8-240-1080	PART	O-RING	O-Ring	1	
25	M5GFRB91-0100	PART	外管材料	Outer Leg	1	PI38 φ36
24	M5GCR9-GFAU2000	PART	上三角碟	Up Crown	1	
23	M5GCR9-GFAD2000	PART	下三角碟	Down Crown	1	
22	M5GBH8CFC1	ASSEMBLY	密封36內管用	Oil Seal	2	TBD
21	M5GBH8AFF-U	PART	上襯套	Up Bushing	2	
20	M5GBH8AFF-D	PART	下襯套	Lower Bushing	2	
19	M5GAEB-340	PART	內管下蓋(氣內管用)	Cap	1	TBD
18	M5GAECA237	PART	壓力腳下柱	Compression Rod	1	
17	M5GAECA215	PART	壓力腳下柱	Compression Rod	1	
16	M5GAE9NA335	PART	內管上蓋	Cap	1	066287
15	M5GAC66	PART	六角形螺帽	Nut	1	M5X0.8六角形螺帽
14	M5GAC6002	PART	膠筒內六角螺絲(NYSEAL)	bolit(NYSEAL)	1	M5X0.8X15L
13	M5GAC01226	PART	膠套	Sheath	2	
12	M5GAC-100-30	PART	彈簧膠套	Spring Sheath	2	NBR
11	M5F2P-2061-200	PART	油壓彈簧蓋	Rebound Adjust Cap	1	
10	M5FRO-2Y14-100	PART	膠筒內六角螺絲	Bolit	3	M6X18L(細螺絲)
9	M5FBE-2Y42-200	PART	固定螺	Bolit	1	TBD
8	M5FBE-2922-400	PART	軸心	Twenty Axis	1	φ20X151L
7	M5FBE-2143-400	PART	三角膠套	Sheath	2	φ36xφ39x33L
6	M5F51-2357-000	PART	彈簧(150-170mm)	Spring	1	066329
5	M5DXM-2Y15-000	PART	膠筒內六角螺絲	Bolit	4	M5X20L(細螺絲)
4	M5AK62-2160-000	PART	PPF調整	Rebound adjust cap	1	069480
3	H5GDPAK36A	ASSEMBLY	緩衝螺絲	Compression Assembly	1	
2	H5GDP9AD325E	ASSEMBLY	RI 管中管調整螺絲	Rebound-adjust Assembly	1	
1	1022A-02515	PART	彈簧螺絲	Bolit	1	M2.5X0.45X15L
NO	PART NO	TYPE	CHINESE NAME	ENGLISH NAME	QTY	NOTE

Bill of material

MATERIAL	Assembly	Q'TY	1	MODEL	14'RI-SUPER TA		
UNIT	MM	SCALE	0.450	DRAW NO	PGE002KM-	rev.	1.0
FASHING		TREAT		NAME	爆炸圖		
DESIGN	DRAWING	CHECK	CONFIG	APPE	RST		