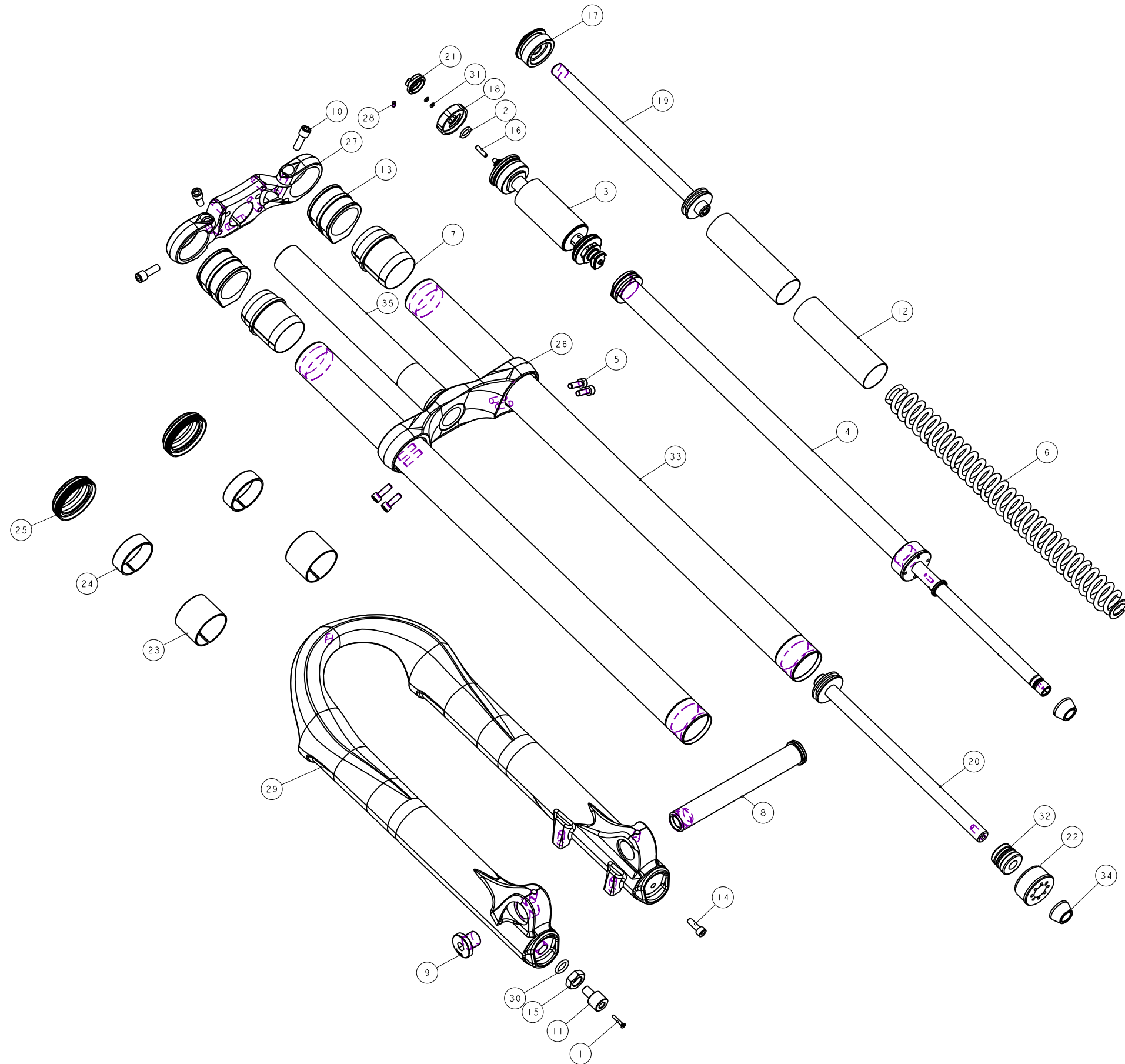


機械加工尺寸一般容許公差					REV.	DATE	DESCRIPTION	CHANGER	CHECK
尺寸	長度	尺寸	孔徑	軸徑					
1 <= 10	±0.2	1 <= 10	+0.2 -0	+0.2 -0.2					
10.001 <= 100	±0.3	10.001 <= 100	+0.3 -0	+0.3 -0.3					
100.001 <= 250	±0.5	100.001 <= 250	+0.5 -0	+0.5 -0.5					
250.001 <= 500	±0.8	250.001 <= 500	+1.0 -0	+1.0 -1.0					
500 <	±1.3	500 <	+1.5 -1.0	+1.5 -1.5					



35	MFAF-286-000	PART	彈簧	Steerer	1	
34	M5S32-2310-000	PART	彈簧	Top-Out Bumper	2	±21.5x11.5
33	M5GST2FC560H100	PART	彈簧	slanchion	2	±3x320L
32	M5GSPB-401	PART	彈簧	Top-Out Bumper	1	±2x20Lx40H
31	M5GORB-100-0300	PART	O-RING	O-Ring	2	
30	M5GORB-240-1080	PART	O-RING	O-Ring	1	
29	M5GFRB91-0100	PART	彈簧	Outer Leg	1	P130 ±36
28	M5GDP7ARL-013	PART	螺絲	Grub screw	1	M3x5L
27	M5GCR9-GFAU2000	PART	彈簧	Up Crown	1	
26	M5GCR9-GFAD2000	PART	彈簧	Down Crown	1	
25	M5GBH8CFC1	ASSEMBLY	彈簧	Oil Seal	2	TBD
24	M5GBH8AFF-U	PART	彈簧	Up Bushing	2	
23	M5GBH8AFF-D	PART	彈簧	Lower Bushing	2	
22	M5GAEB-340	PART	彈簧	Cap	1	TBD
21	M5GAECBA160	PART	彈簧		1	M8x5L
20	M5GAECA237	PART	彈簧	Compression Rod	1	
19	M5GAECA215	PART	彈簧	Compression Rod	1	
18	M5GAEBBA316-2	PART	彈簧		1	M8x5L
17	M5GA9NA335	PART	彈簧	Cap	1	046207
16	M5GACC1027-01	PART	彈簧	Nut	1	3.5x13.4
15	M5GAC66	PART	彈簧	Nut	1	M5x0.8x80mmH
14	M5GAC6002	PART	彈簧	bolthead(NYSEAL)	1	M5x0.8x15L
13	M5GAC01226	PART	彈簧	Sheath	2	
12	M5GAC-100-30	PART	彈簧	Spring Sheath	2	NBR
11	M5FZP-2061-200	PART	彈簧	Rebound Adjust Cap	1	
10	M5FR0-2Y14-100	PART	彈簧	Bolt	3	M6x10L(100H)
9	M5FBE-2Y42-200	PART	彈簧	Bolt	1	TBD
8	M5FBE-2922-400	PART	彈簧	Twenty Axis	1	±20x15L
7	M5FBE-2143-400	PART	彈簧	Sheath	2	±36±39±33L
6	M5F51-2357-000	PART	彈簧	Spring	1	046329
5	M5DXM-2Y15-000	PART	彈簧	Bolt	4	M5x20L(100H)
4	H5GDPCAD325E	ASSEMBLY	彈簧	12" R1 Platform Rebound adjust Assembly	1	
3	H5GDPBAD36	ASSEMBLY	彈簧	Platform	1	
2	8064A-00900	PART	彈簧	o-ring	1	P9
1	1022A-02515	PART	彈簧	Bolt	1	M2.5x0.45x15L
NO	PART NO	TYPE	CHINESE NAME	ENGLISH NAME	QTY	NOTE

**Bill of material**

MATERIAL	ASSEMBLY	Q'TY	1	MODEL	14"R1 Platform TA(Travel 180mm)
UNIT	MM	SCALE	0.500	DRAW NO	PGE002JM- rev. 1.0
FASHING		TREAT		NAME	爆炸圖
DESIGN	DRAWING	CHECK	CONFIG	APPE	
					<b>RST</b>