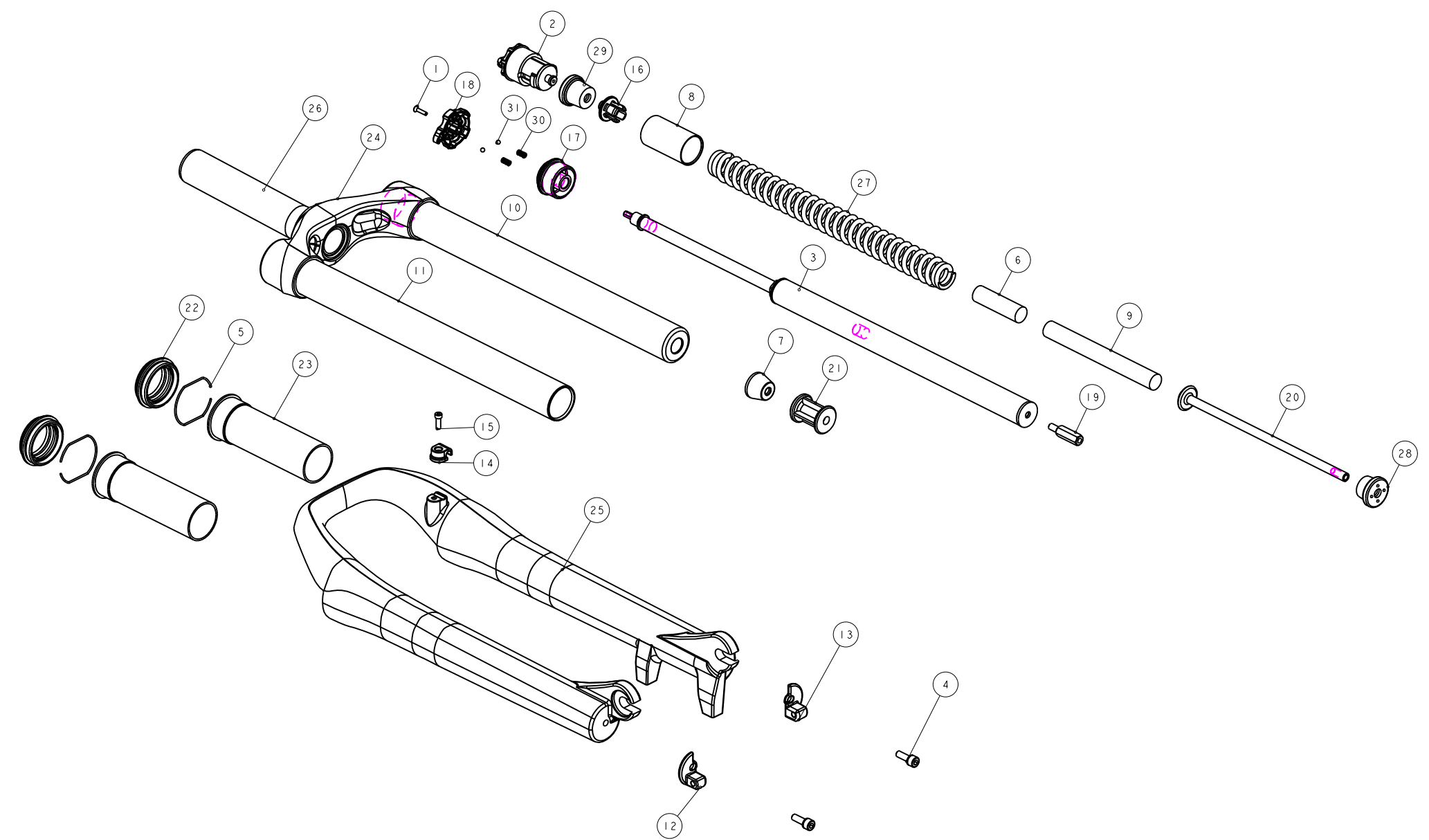


| 機械加工尺寸一般容許公差 | | | | | REV. | DATE | DESCRIPTION | CHANGER | CHECK |
|---------------|------|---------------|--------------|--------------|------|------|-------------|---------|-------|
| 尺寸 | 長寬高 | 尺寸 | 孔徑 | 軸徑 | | | | | |
| 1 < 10 | ±0.2 | 1 < 10 | +0.2 -0.3 | +0.2 -0.2 | | | | | |
| 10.001 < 100 | ±0.3 | 10.001 < 100 | +0.3 -0.4 | +0.3 -0.3 | | | | | |
| 100.001 < 250 | ±0.5 | 100.001 < 250 | +0.5 -0.6 | +0.5 -0.5 | | | | | |
| 250.001 < 500 | ±0.8 | 250.001 < 500 | +1.0 -1.0 | +1.0 -1.0 | | | | | |
| 500 < | ±1.3 | 500 < | +1.5 -1.5 | +1.5 -1.5 | | | | | |



| NO | PART NO | TYPE | CHINESE NAME | ENGLISH NAME | QTY | NOTE |
|----|-----------------|----------|-----------------|---------------------------|-----|-------------|
| 31 | M5K43-2730-000 | PART | 小鋼珠 | Steel ball | 2 | *4 |
| 30 | M5K43-2351-000 | PART | 彈簧 | Spring | 2 | Pitch 0.85 |
| 29 | M5GSPB-420-8 | PART | 緩衝墊 | Top-Out Bumper | 1 | |
| 28 | M5GSPB-415-8 | PART | 緩衝墊 | Top-Out Bumper | 1 | 15L |
| 27 | M5GSP91260-110 | PART | 彈簧 | Spring | 1 | |
| 26 | M5GRTBA260 | ASSEMBLY | 轉向管 | Steerer | 1 | |
| 25 | M5GFRED1-1000 | PART | BLAZE 650B無軸外管 | RAXXON Costing | 1 | P130 *32 |
| 24 | M5GCRC-FCGA2100 | PART | BLAZE 650B 鋼管徑 | Crown | 1 | |
| 23 | M5GBHEDB1-1 | PART | 長型膠套 | Bush | 2 | 120 |
| 22 | M5GBH8CDC2 | ASSEMBLY | 油封 | oil seal | 2 | *30內管 |
| 21 | M5GAE MB30 | PART | 外管徑 | Bottom-Out spacer | 1 | 30L |
| 20 | M5GAE JC180 | PART | 優力膠下座 | Compression Rod | 1 | 180L |
| 19 | M5GAE9L023 | PART | 螺絲桿 | Shank | 1 | M5X0.8 |
| 18 | M5GAE8TZ-2 | PART | 鎖死旋鈕 | Lock out adjust cap | 1 | |
| 17 | M5GAE0DA275 | PART | T固定座(DA, TNL共用) | DT anchorage | 1 | M27.5*1.0 |
| 16 | M5GAE-0PB020 | PART | 彈簧上座 | Spring Guide | 1 | |
| 15 | M5GAC9-1004 | PART | 圓筒內六角螺絲 | HEX Bolts | 1 | M3X0.5X10L |
| 14 | M5GAC8-0731 | PART | 鎖式固定夾 | Wire Clip | 1 | For M3x0.5 |
| 13 | M5GAC1203-106 | PART | 土除支架片(右) | | 1 | |
| 12 | M5GAC1203-105 | PART | 土除支架片(左) | | 1 | |
| 11 | M5FXF-2881-000 | PART | 內管 | Stanchion | 1 | *30X320L |
| 10 | M5FX3-2880-000 | PART | 內管 | Stanchion | 1 | *30X320L |
| 9 | M5FWS-2311-000 | PART | 定距橡皮 | top out spring bumper | 1 | *13.8X120L |
| 8 | M5FUA-2310-000 | PART | 彈簧護套 | Spring Sheath | 1 | NBR |
| 7 | M5FQS-2310-000 | PART | 緩衝墊 | Top-Out Bumper | 1 | 15L |
| 6 | M5FM2-2311-000 | PART | 定距橡皮 | top out spring bumper | 1 | *13.8X48L |
| 5 | M5FHJ-2Y70-100 | PART | C型扣環 | CTW | 2 | ∅41.9x∅3x36 |
| 4 | M5FA2-2Y12-100 | PART | 圓筒內六角螺絲 | HEX Bolts | 2 | M5x0.8x15L |
| 3 | H5GDPEBK14 | ASSEMBLY | TNL鎖死棒(120) | travel lock-out Cartridge | 1 | 行程120 |
| 2 | H5FVP-2162-100 | ASSEMBLY | 調整座組 2006 | Adjuster Assembly | 1 | M27.5X1.0 |
| 1 | I022A-02512C-B | PART | 六角承窩螺絲(黑) | HEX BOLT | 1 | M2.5x0.45 |

| 品號 | 優力膠下座 | 螺絲桿 | TNL棒 | 規格說明 |
|----------|-------------|------------|------------|--------------------------|
| PGE079BG | M5GAE JC180 | M5GAE9L023 | H5GDPEBK14 | 無軸 標準頭管徑 行程120mm 總高515mm |
| PGE079BF | M5GAE JC160 | M5GAE9L023 | H5GDPEBK14 | 無軸 標準頭管徑 行程100mm 總高495mm |
| PGE079BE | M5GAE JC140 | M5GAE9L023 | H5GDPEBK14 | 無軸 標準頭管徑 行程80mm 總高475mm |
| PGE079BB | M5GAE JC110 | 不使用 | H5GDPEBK10 | 無軸 標準頭管徑 行程50mm 總高445mm |

| Bill of material | | | | | | | | | |
|------------------|----------|-------|--------|---------|-------------------------------|--|--|--|--|
| MATERIAL | ASSEMBLY | QTY | 1 | MODEL | PULSE650B TNL (50/80/100/120) | | | | |
| UNIT | MM | SCALE | 0.500 | DRAW NO | PGE079BG rev. A | | | | |
| FASHING | | TREAT | | NAME | 爆炸圖 | | | | |
| DESIGN | DRAWING | CHECK | CONFIG | APPE | RST | | | | |