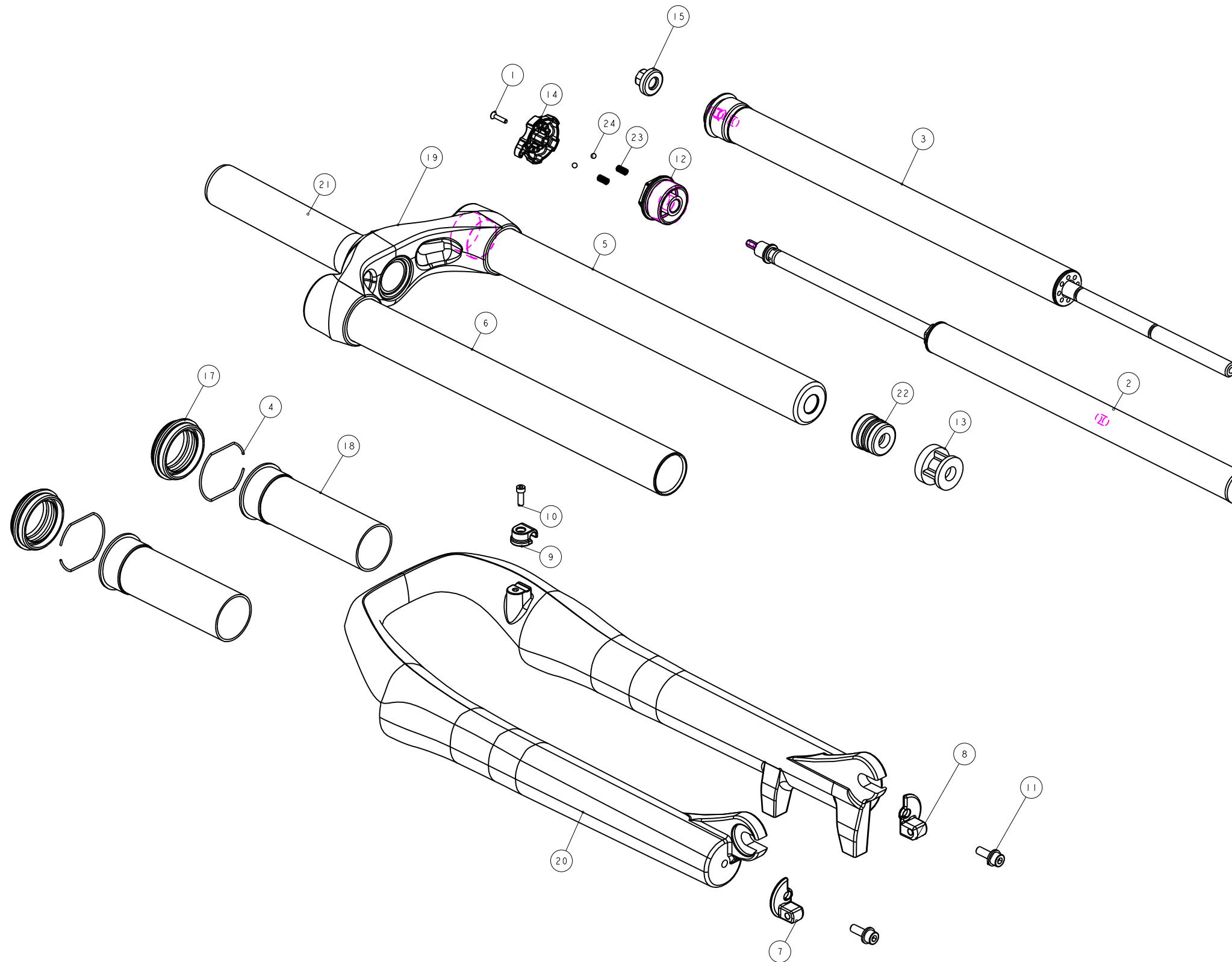


機械加工尺寸一般容許公差					REV.	DATE	DESCRIPTION	CHANGER	CHECK
尺寸	長寬高	尺寸	孔徑	軸徑					
1 <= 10	±0.2	1 <= 10	+0.2 -0.2	+0.2 -0.2					
10.001 <= 100	±0.3	10.001 <= 100	+0.3 -0.3	+0.3 -0.3					
100.001 <= 250	±0.5	100.001 <= 250	+0.5 -0.5	+0.5 -0.5					
250.001 <= 500	±0.8	250.001 <= 500	+1.0 -1.0	+1.0 -1.0					
500 <	±1.3	500 <	+1.5 -1.5	+1.5 -1.5					



NO	PART NO	TYPE	CHINESE NAME	ENGLISH NAME	QTY	NOTE
24	M5K43-2730-000	PART	小鋼珠	Steel ball	2	*4
23	M5K43-2351-000	PART	彈簧	Spring	2	Pitch 0.85
22	M5GSPB-401-5	PART	緩衝墊	Top-Out Bumper	1	*24X20LX50M
21	M5GRTBA260	ASSEMBLY	轉向管	Steerer	1	
20	M5GFRED1-1000	PART	BLAZE 650B無軸外管	RAXXON Casting	1	P130 *32
19	M5GCRC-FCGA2100	PART	BLAZE 650B 鋼管徑	Crown	1	
18	M5GBHEDB1-1	PART	長型膠襯套	Bush	2	120
17	M5GBH8CD2	ASSEMBLY	油封	oil seal	2	*30內管
16	M5GAE9L023	PART	螺絲桿桿	Shank	1	M5X0.8
15	M5GAE9DA183	PART	氣筒蓋	Air Cap	1	TBD
14	M5GAE8TZ-2	PART	鎖死旋鈕	Lock out adjust cap	1	
13	M5GAE8JB027	PART	外管徑	Bottom-out spacer	1	20(18)L
12	M5GAE0DA275	PART	DT固定座(DA, TNL共用)	DT anchorage	1	M27.5*1.0
11	M5GACC0617-01	PART	圓筒內六角螺絲	bolll	2	M5X15L
10	M5GAC9-1004	PART	圓筒內六角螺絲	HEX Bolts	1	M3X0.5X10L
9	M5GAC8-0731	PART	鎖式固定夾	Wire Clip	1	For M3x0.5
8	M5GAC1203-106	PART	土除支架片(右)		1	
7	M5GAC1203-105	PART	土除支架片(左)		1	
6	M5FXF-2881-000	PART	內管	Stanchion	1	*30X320L
5	M5FX3-2880-000	PART	內管	Stanchion	1	*30X320L
4	M5FHJ-2Y70-100	PART	C型扣環	CTW	2	∅41.9x∅3x36
3	H5GDPEDC301-2	ASSEMBLY	氣壓棒	AIR CARTRIDGE	1	
2	H5GDPEBK14	ASSEMBLY	TNL 鎖死棒(120)	Travel lock-out Cartridge	1	行程120
1	I022A-02512C-B	PART	六角承座螺絲(黑)	HEX BOLT	1	M2.5x0.45

品號	氣壓棒	規格說明
PGE0798G	H5GDPEDC301-2	無軸 標準頭管徑 行程120mm 總高515mm
PGE0798F	H5GDPEDC301-1	無軸 標準頭管徑 行程100mm 總高495mm
PGE0798E	H5GDPEDC301-8	無軸 標準頭管徑 行程80mm 總高475mm
PGE0798B	H5GDPEDC301-5	無軸 標準頭管徑 行程50mm 總高445mm

Bill of material									
MATERIAL	ASSEMBLY	QTY	SCALE	MODEL	PULSE650B AIR TNL (50/80/100/120)				
UNIT	MM		0.700						
FASHING		TREAT		DRAW NO	PGE0798G	rev.	A		
DESIGN	DRAWING	CHECK	CONFIG	APPE	NAME	爆炸圖			
RST									