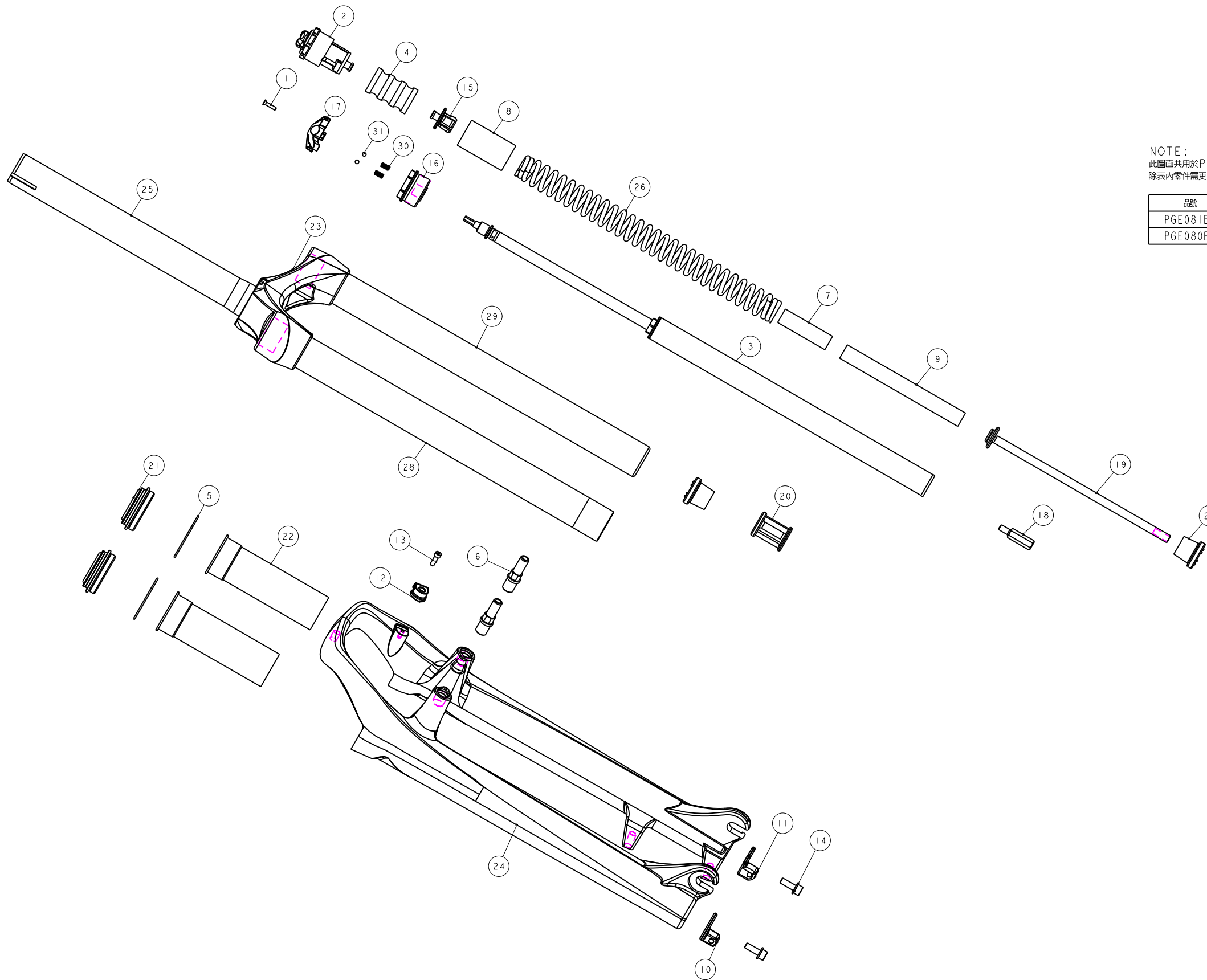


機械加工尺寸一般容許公差					REV.	DATE	DESCRIPTION	CHANGER	CHECK
尺寸	長寬高	尺寸	孔徑	軸徑					
1 < 10	±0.2	1 < 10	+0.2 0	+0 -0.2					
10.001 < 100	±0.3	10.001 < 100	+0.3 0	+0 -0.3					
100.001 < 250	±0.5	100.001 < 250	+0.5 0	+0 -0.5					
250.001 < 500	±0.8	250.001 < 500	+1.0 0	+0 -1.0					
500 <	±1.3	500 <	+1.5 0	+0 -1.5					



NOTE:
此圖面共用於PULSE29 TNL(120)
除表內零件需更換外,其餘零件皆共用

品號	煞車軸	外管	規格說明
PGE081BG	M5FKD-2723-000	M5GFRJC2-0000	有軸 行程120mm 總高530
PGE080BG	不使用	M5GFRJC2-1000	無軸 行程120mm 總高530

31	M5K43-2730-000	PART	小鋼珠	Steel ball	2	#4
30	M5K43-2351-000	PART	彈簧	Spring	2	Pitch 0.85
29	M5GSTAD1345B000	PART	內管		1	#30X345L
28	M5GSTAD0345B000	PART	內管	Stanchion	1	#30X345L
27	M5GSPB-420-8	PART	緩衝墊	Top-Out Bumper	2	
26	M5GSP91260-110	PART	彈簧	Spring	1	
25	M5GRTG26000-1	PART	轉向管	STEERER	1	#28.6 260L
24	M5GFRJC2-0000	PART	2012 BLAZE29 外管		1	總高2大
23	M5GRCRC1FCGA2000	PART	12"BLAZE29噴管	Crown	1	
22	M5GBHEDB1-1	PART	長型膠襯套	Bush	2	120
21	M5GBH8C2	ASSEMBLY	油封	oil seal	2	#30內管
20	M5GAE8B30	PART	外管座	Bottom-Out spacer	1	30L
19	M5GAEJC180	PART	壓力膠下座	Compression Rod	1	180L
18	M5GAE9L023	PART	螺絲桿	Shank	1	M5X0.8
17	M5GAE8TZ-2	PART	鎖死螺絲	Lock out adjust cap	1	
16	M5GAE0DA275	PART	DT固定座(DA, TNL 共用)	DT anchorage	1	M27.5*1.0
15	M5GAE-0PB020	PART	彈簧上座	Spring Guide	1	
14	M5GACC0617-01	PART	圓筒內六角螺絲	bolt	2	M5X15L
13	M5GAC9-1004	PART	圓筒內六角螺絲	HEX Bolts	1	M3X0.5X10L
12	M5GACB-0731	PART	鎖式固定夾	Wire Clip	1	For M3x0.5
11	M5GAC1203-106	PART			1	
10	M5GAC1203-105	PART			1	
9	M5FWS-2311-000	PART	定距橡皮	top out spring bumper	1	#13.8X120L
8	M5FUA-2310-000	PART	彈簧護套	Spring Sheath	1	NBR
7	M5FM2-2311-000	PART	定距橡皮	top out spring bumper	1	#13.8X48L
6	M5FKD-2723-000	PART	煞車軸	pivot	2	M10X1.25
5	M5FHJ-2Y70-100	PART	C型扣環	CTW	2	Ø41.9xØ3x36
4	M231-D24-L40-60	PART	壓縮橡皮	Compressible buna	1	#25.40L#HS50
3	H5GDPCK14	ASSEMBLY	TNL鎖死棒(120)	Travel lock-out Cartridge	1	行程120
2	H5FVP-2162-100	ASSEMBLY	調整座組 2006	Adjuster Assembly	1	M27.5X1.0
1	1022A-02512C-B	PART	六角承蓋螺絲(黑)	HEX BOLT	1	M2.5x0.45
NO	PART NO	TYPE	CHINESE NAME	ENGLISH NAME	QTY	NOTE

Bill of material

MATERIAL	Assembly	QTY	1	MODEL	PULSE29 TNL(120)	
UNIT	MM	SCALE	0.550	DRAW NO	PGE081BG	rev. 1.0
FASHING		TREAT		NAME	爆炸圖	
DESIGN	DRAWING	CHECK	CONFIG	APPE	RST	