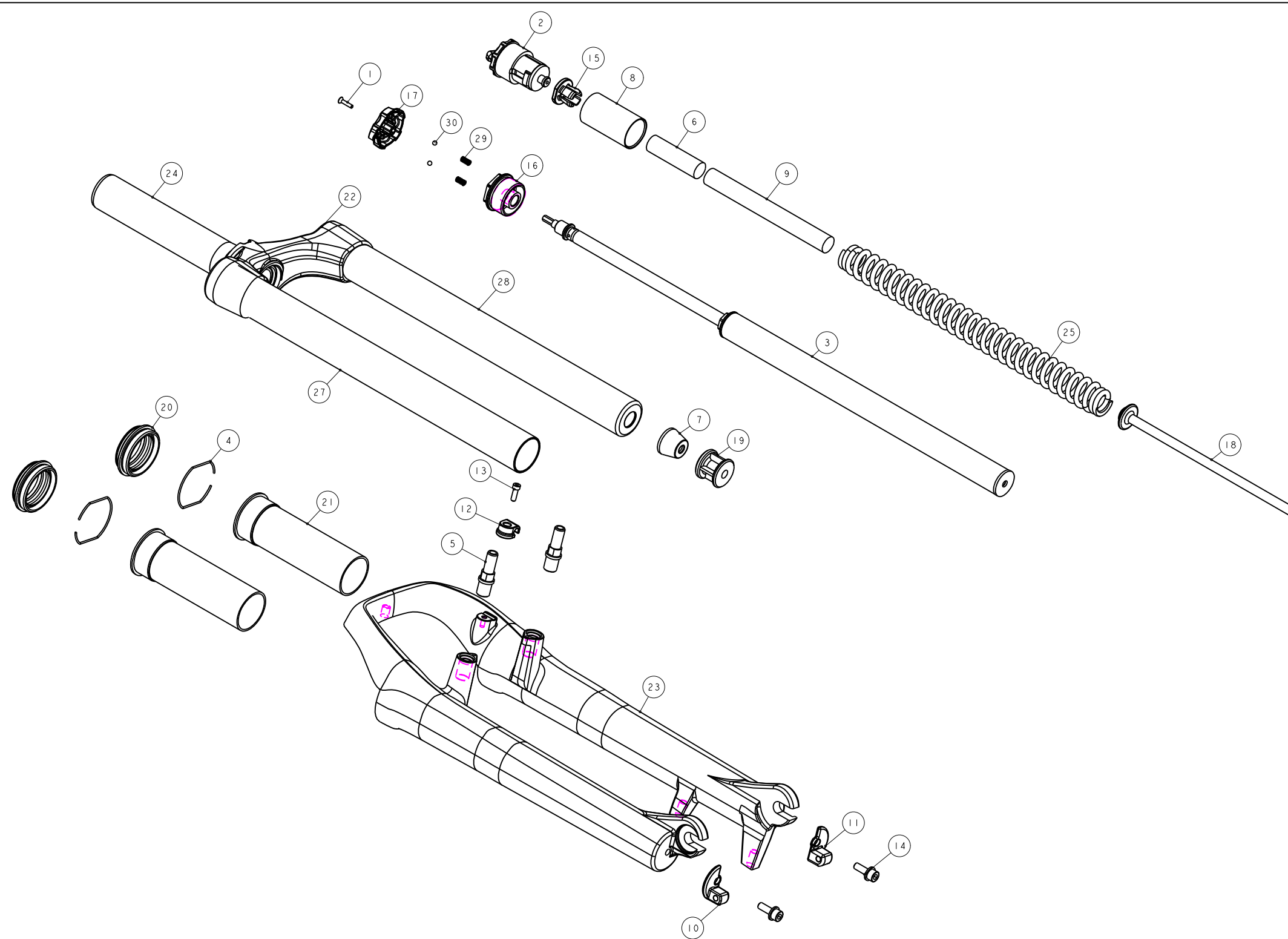


機械加工尺寸一般容許公差					REV.	DATE	DESCRIPTION	CHANGER	CHECK
尺寸	長寬高	尺寸	孔徑	軸徑					
1 <= 10	±0.2	1 <= 10	+0.2 -0.1	+0.2 -0.2					
10.001 <= 100	±0.3	10.001 <= 100	+0.3 -0.1	+0.3 -0.3					
100.001 <= 250	±0.5	100.001 <= 250	+0.5 -0.1	+0.5 -0.5					
250.001 <= 500	±0.8	250.001 <= 500	+0.8 -0.1	+0.8 -1.0					
500 <	±1.3	500 <	+1.3 -0.1	+1.3 -1.5					



NO	PART NO	TYPE	CHINESE NAME	ENGLISH NAME	QTY	NOTE
30	M5K43-2730-000	PART	小鋼珠	Steel ball	2	*4
29	M5K43-2351-000	PART	彈簧	Spring	2	Pitch 0.85
28	M5GSTAD0310B000	PART	內管	Slanchion	1	*30X320L
27	M5GSTAD0310B000	PART	內管	Slanchion	1	*30X320L
26	M5GSPB-503-40	PART	緩衝墊	Top-Out Bumper	1	總長40
25	M5GSP91260-092	PART	彈簧	Spring	1	
24	M5GRTBA260	ASSEMBLY	轉向管	Steerer	1	
23	M5GFRE11-0000	PART	BLAZE有軸外管	RAXXON Casting	1	P125 *30
22	M5GCR82ECGA2000	PART	08P125*30壓球頭管座	Crown	1	
21	M5GBH8DB1-1	PART	長型膠套	Bush	2	120
20	M5GBH8CDC2	ASSEMBLY	油封	oil seal	2	*30內管
19	M5GAEMB20	PART	外管座	Bottom-Oul spacer	1	20L
18	M5GAEJC170	PART	壓力膠下座	Compression Rod	1	170L
17	M5GAE8TZ-2	PART	鎖死蓋帽	Lock out adjust cap	1	
16	M5GAE0DA275	PART	DT固定座(DA, TNL共用)	DI anchorage	1	M27.5*1.0
15	M5GAE-0PB021	PART	彈簧座	Spring Guide	1	
14	M5GACC0617-01	PART	圓筒內六角螺絲	bolt	2	M5X15L
13	M5GAC9-1004	PART	圓筒內六角螺絲	HEX Bolts	1	M3X0.5X10L
12	M5GACB-0731	PART	鎖式固定夾	Wire Clip	1	For M3x0.5
11	M5GAC1203-106	PART			1	
10	M5GAC1203-105	PART			1	
9	M5FWS-2311-000	PART	定距橡皮(試)	top out spring bumper	1	*13.8X120L
8	M5FUA-2310-000	PART	彈簧護套	Spring Sheath	1	NBR
7	M5FQS-2310-000	PART	緩衝墊	Top-Out Bumper	1	15L
6	M5FM2-2311-000	PART	定距橡皮(試)	top out spring bumper	1	*13.8X48L
5	M5FKD-2723-000	PART	煞車軸	pivot	2	M10X1.25
4	M5FHJ-2Y70-100	PART	C型加環	CINW	2	∅41.9x∅3x36
3	H5GDPCBK14	ASSEMBLY	TNL鎖死棒(120)	Travel lock-out Cartridge	1	行程120
2	H5FVP-2162-100	ASSEMBLY	調整座組 2006	Adjuster Assembly	1	M27.5X1.0
1	1022A-02512C-B	PART	六角承頂螺絲(黑)	HEX BOLT	1	M2.5x0.45

此圖面共用於PULSE26 TNL(120)系列
除表內零件需更換外,其餘皆相同

品號	外管替換料件	煞車軸	差異性
PGE078BG	M5GFRE11-0000	M5FKD-2723-000	有軸 行程120
PGE077BG	M5GFRE11-1000	不使用	無軸 行程120

Bill of material									
MATERIAL	Assembly	QTY	1	MODEL	PULSE26 TNL(120)				
UNIT	MM	SCALE	0.600	DRAW NO	PGE078BG	rev.	1.0		
FASHING		TREAT		DESIGN	RST				
DRAWING	CHECK	CONFIG	APPE	NAME	爆炸圖				