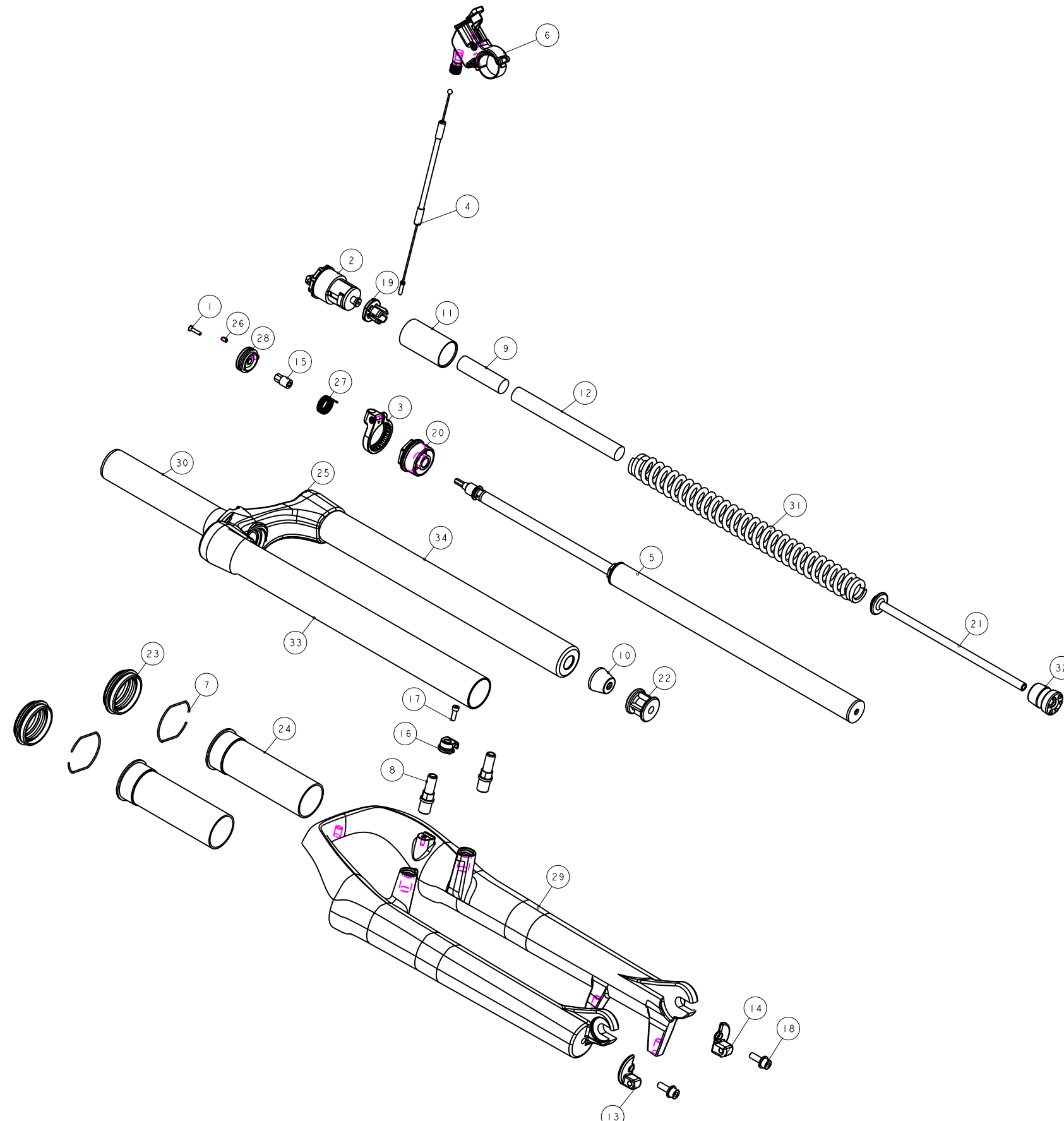


機械加工尺寸一般容許公差					REV.	DATE	DESCRIPTION	CHANGER	CHECK
尺寸	長度	尺寸	孔徑	軸徑					
1 < 10	±0.2	1 < 10	+0.2 -0.2	+0.2 -0.2					
10.001 < 100	±0.3	10.001 < 100	+0.3 -0.3	+0.3 -0.3					
100.001 < 250	±0.5	100.001 < 250	+0.5 -0.5	+0.5 -0.5					
250.001 < 500	±0.8	250.001 < 500	+1.0 -1.0	+1.0 -1.0					
500 <	±1.3	500 <	+1.5 -1.5	+1.5 -1.5					



此圖面共用PULSE 26 RL(120)系列
除表內零件需更換外,其餘皆相同

品號	外管替換料件	煞車軸	差異性
PGE078CG	M5GFRE11-0000	M5FKD-2723-000	有軸 行程120
PGE077CG	M5GFRE11-1000	不使用	無軸 行程120

34	M5GSTAD1310B000	PART	內管	Stanchion	1	Φ30X320L
33	M5GSTAD0310B000	PART	內管	Stanchion	1	Φ30X320L
32	M5GSPB-503-40	PART	緩衝墊	Top-Out Bumper	1	Φ40
31	M5GSP91260-092	PART	彈簧	Spring	1	
30	M5GRTBA260	ASSEMBLY	轉向管	Steerer	1	
29	M5GFRE11-0000	PART	BLAZE有軸外管	RAXXON Casting	1	P125 Φ30
28	M5GDPAK03	PART	線控旋轉器	Turn Base	1	8h
27	M5GDP7ARL-020	PART	鎖簧	Corkscrew Coil Spring	1	20h
26	M5GDP7ARL-013	PART	止付螺柱	Grub screw	1	M3X5L
25	M5GCR82ECGA2000	PART	08P125Φ30壓球帽管座	Crown	1	
24	M5GBHEDB1-1	PART	長型膠套	Bush	2	120
23	M5GBH8CDC2	ASSEMBLY	油封	oil seal	2	Φ30內徑
22	M5GAEMB20	PART	外管座	Bottom-Out spacer	1	20L
21	M5GAEJC170	PART	壓力壓下座	Compression Rod	1	170L
20	M5GAE0DA275	PART	DT固定座(DA, TNL共用)	DT anchorage	1	M27.5x1.0
19	M5GAE-0PB021	PART	彈簧座	Spring Guide	1	
18	M5GACC0617-01	PART	圓筒內六角螺柱	bolt	2	M5X15L
17	M5GAC9-1004	PART	圓筒內六角螺柱	HEX Bolts	1	M3X0.5X10L
16	M5GAC8-0731	PART	鎖式固定夾	Wire Clip	1	For M3x0.5
15	M5GAC8-0404	PART	導套	Switch Stand	1	14.8L
14	M5GAC1203-106	PART			1	
13	M5GAC1203-105	PART			1	
12	M5FWS-2311-000	PART	定距橡皮(試)	top out spring bumper	1	Φ13.8X120L
11	M5FUA-2310-000	PART	彈簧護套	Spring Sheath	1	NBR
10	M5FQS-2310-000	PART	緩衝墊	Top-Out Bumper	1	15L
9	M5FM2-2311-000	PART	定距橡皮(試)	top out spring bumper	1	Φ13.8X48L
8	M5FKD-2723-000	PART	煞車軸	pivot	2	M10X1.25
7	M5FHJ-2Y70-100	PART	C型扣環	CTW	2	Φ41.9xΦ3x36
6	H5GDPCBR1	ASSEMBLY	2012年一般線桿組	Remote control Assembly	1	
5	H5GDPCBR14	ASSEMBLY	TNL線桿組(120)	travel lock-out Cartridge	1	行程120
4	H5GDPCARL3-1	ASSEMBLY	12"RL煞車線外線組	Remote Outline Assembly	1	
3	H5GDP8ARL6	ASSEMBLY	08"RL扣環組(高級)	Remote Outline Base	1	
2	H5FVP-2162-100	ASSEMBLY	調整座組 2006	Adjuster Assembly	1	M27.5x1.0
1	1022A-02512C-B	PART	六角承頂螺絲(黑)	HEX BOLT	1	M2.5x0.45

Bill of material

MATERIAL	Assembly	Q'TY	1	MODEL	PULSE26 RL(120)	
UNIT	MM	SCALE	0.500	DRAW NO	PGE078CG	rev. 1.0
FASHING		TREAT		NAME	爆炸圖	
DESIGN	DRAWING	CHECK	CONFIG	APPE	RST	