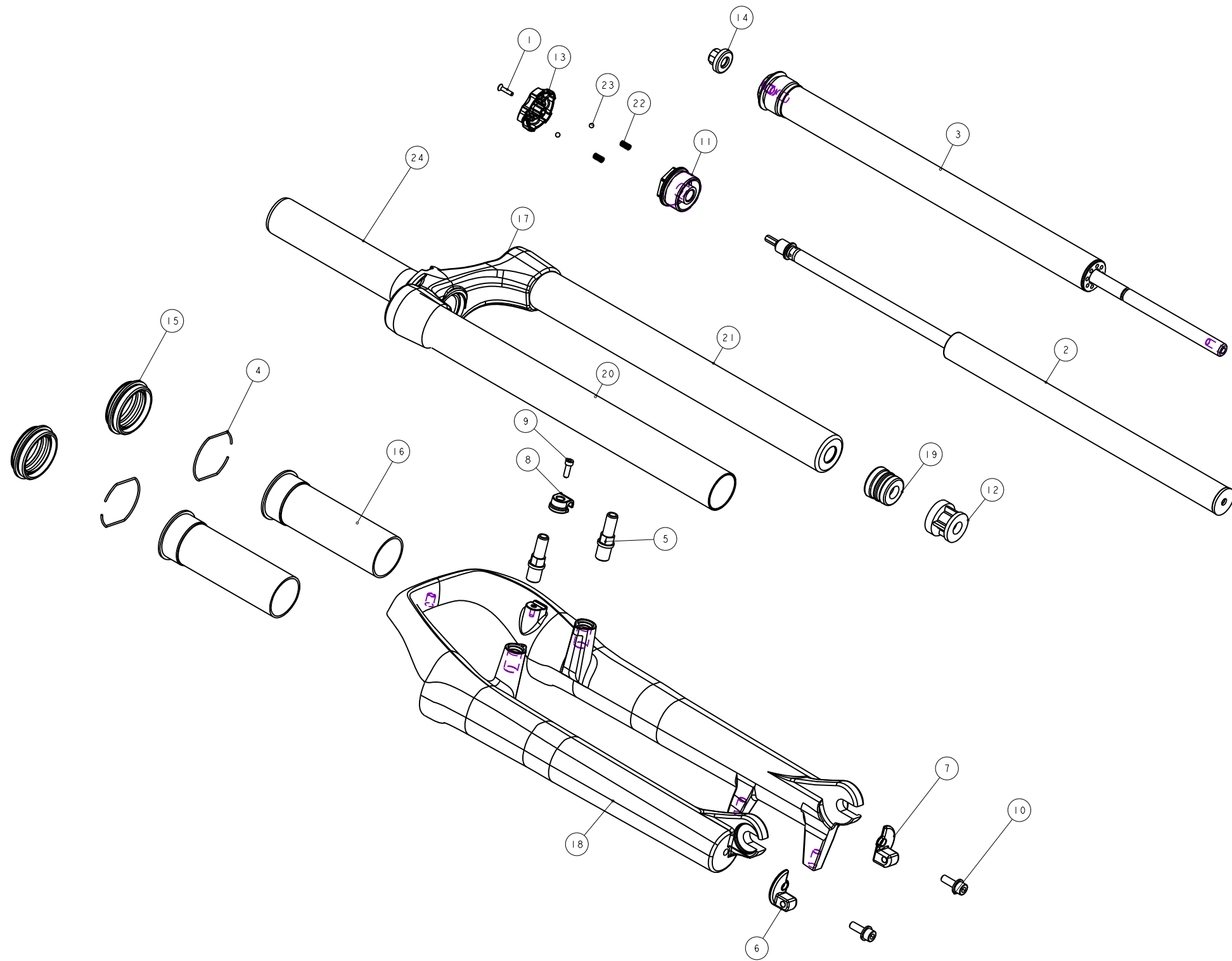


機械加工尺寸一般容許公差					REV.	DATE	DESCRIPTION	CHANGER	CHECK
尺寸	長度	尺寸	孔徑	軸徑					
1 <= 10	±0.2	1 <= 10	+0.2 -0.2	+0.2 -0.2					
10.001 <= 100	±0.3	10.001 <= 100	+0.3 -0.3	+0.3 -0.3					
100.001 <= 250	±0.5	100.001 <= 250	+0.5 -0.5	+0.5 -0.5					
250.001 <= 500	±0.8	250.001 <= 500	+1.0 -1.0	+1.0 -1.0					
500 <	±1.3	500 <	+1.5 -1.5	+1.5 -1.5					



此圖面共用於PULSE26 AIR-TNL(50/80/100)系列
除表內零件需更換外,其餘皆相同

品號	外管組替換料件	煞車軸	氣壓棒	差異性
PGE0788F	M5GFRE11-0000	M5FKD-2723-000	H5GDPEDC291-1	有軸 行程100
PGE0788E	M5GFRE11-0000	M5FKD-2723-000	H5GDPEDC291-8	有軸 行程80
PGE0788B	M5GFRE11-0000	M5FKD-2723-000	H5GDPEDC291-5	有軸 行程50
PGE0778F	M5GFRE11-1000	不使用	H5GDPEDC291-1	無軸 行程100
PGE0778E	M5GFRE11-1000	不使用	H5GDPEDC291-8	無軸 行程80
PGE0778B	M5GFRE11-1000	不使用	H5GDPEDC291-5	無軸 行程50

24	MFPV-286-100	PART	轉向管	Steerer	1	φ28.6
23	M5K43-2730-000	PART	小鋼珠	Steel ball	2	φ4
22	M5K43-2351-000	PART	彈簧	Spring	2	Pitch 0.85
21	M5GSTAD1310B000	PART	內管	Stanchion	1	φ30X320L
20	M5GSTAD0310B000	PART	內管	Stanchion	1	φ30X320L
19	M5GSPB-401-5	PART	緩衝墊	Top-Out Dumper	1	φ24X20LX50MM
18	M5GFRE11-0000	PART	BLAZE有軸外管	RAIXON Casting	1	P125 φ30
17	M5GCR82ECGA2000	PART	08P125φ30壓球管帽	Crown	1	
16	M5GBHEDB1-1	PART	長型膠套	Bush	2	120
15	M5GBH8CDC2	ASSEMBLY	油封	oil seal	2	φ30mm
14	M5GAE9DA183	PART	氣壓蓋	Air Cap	1	TBD
13	M5GAE8TZ-2	PART	鎖死旋鈕	Lock out adjust cap	1	
12	M5GAE8JB027	PART	外管座	Bottom-out spacer	1	20(18)L
11	M5GAE0DA275	PART	DT固定座(DA, TNL共用)	DT anchorage	1	M27.5x1.0
10	M5GACC0617-01	PART	圓筒六角螺絲	bolt	2	M5X15L
9	M5GAC9-1004	PART	圓筒六角螺絲	HEX Bolts	1	M3X0.5X10L
8	M5GAC8-0731	PART	插式固定夾	Wire Clip	1	For M3x0.5
7	M5GAC1203-106	PART	土除支架片(右)		1	
6	M5GAC1203-105	PART	土除支架片(左)		1	
5	M5FKD-2723-000	PART	煞車軸	pivot	2	M10X1.25
4	M5FHJ-2Y70-100	PART	C型扣環	C/W	2	φ41.9xφ3x36
3	H5GDPEDC291-1	ASSEMBLY	氣壓棒	AIR CARTRIDGE	1	
2	H5GDPCK10	ASSEMBLY	TNL 鎖死棒	Travel lock-out Cartridge	1	行程120-80
1	1022A-02512C-B	PART	六角承蓋螺絲(黑)	HEX BOLT	1	M2.5x0.45
NO	PART NO	TYPE	CHINESE NAME	ENGLISH NAME	QTY	NOTE

Bill of material

MATERIAL	Assembly	Q'TY	1	MODEL	PULSE26 AIR-TNL(50/80/100)		
UNIT	MM	SCALE	0.600	DRAW NO	PGE0788F	rev.	A
FASHING		TREAT		NAME	爆炸圖		
DESIGN	DRAWING	CHECK	CONFIG	APPE	RST		