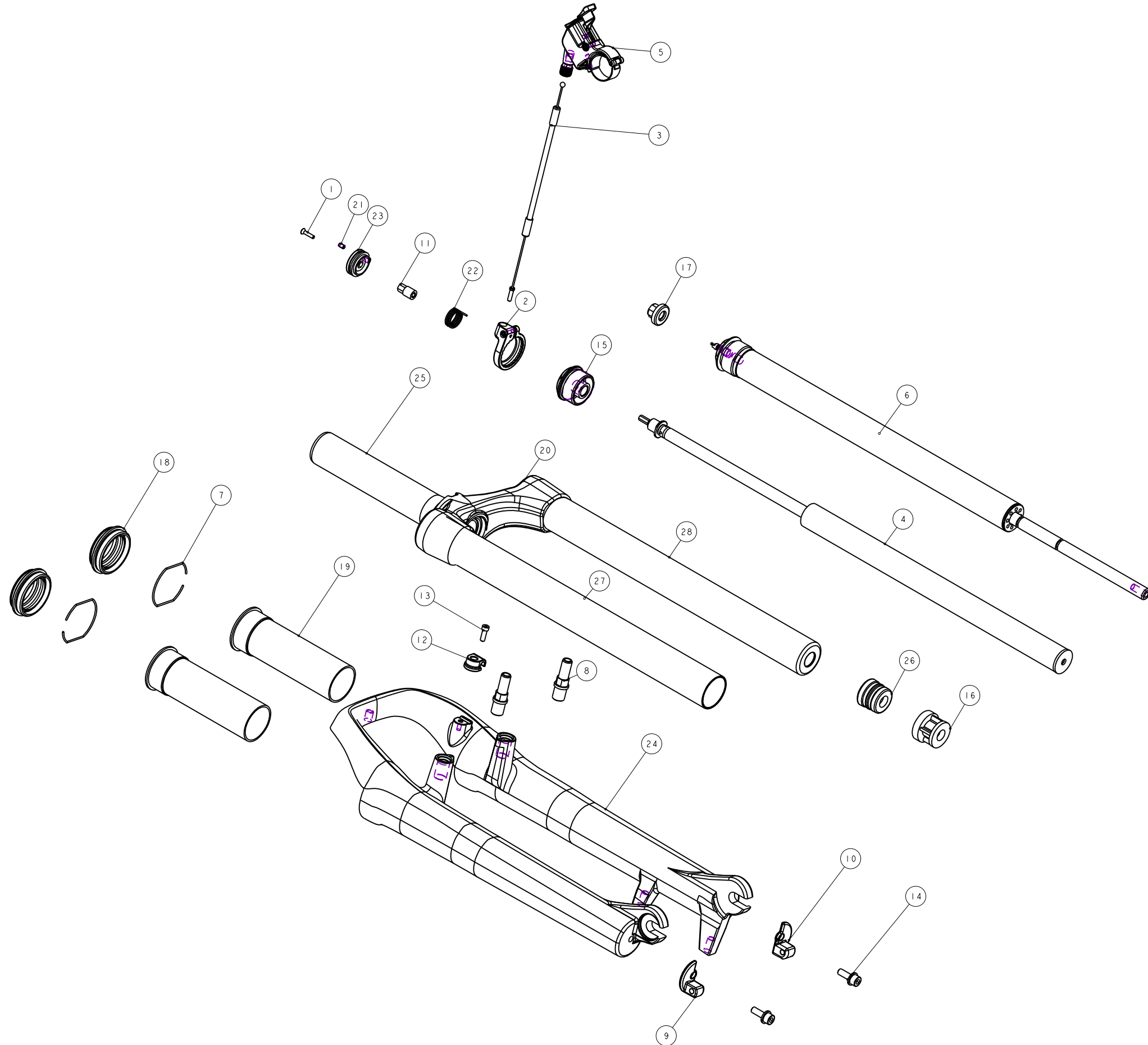


機械加工尺寸一般容許公差					REV.	DATE	DESCRIPTION	CHANGER	CHECK
尺寸	長度	尺寸	孔徑	軸徑					
1 <= 10	±0.2	1 <= 10	+0.2 -0.2	+0 -0.2					
10.001 <= 100	±0.3	10.001 <= 100	+0.3 -0.3	+0 -0.3					
100.001 <= 250	±0.5	100.001 <= 250	+0.5 -0.5	+0 -0.5					
250.001 <= 500	±0.8	250.001 <= 500	+1.0 -1.0	+1.0 -1.0					
500 <	±1.3	500 <	+1.5 -1.5	+1.5 -1.5					



此圖面共用於PULSE 26 AIR-RL (120) 系列  
除表內零件需更換外,其餘皆相同

品號	外管組替換料件	煞車軸	差異性
PGE078VG	M5GFRE11-0000	M5FKD-2723-000	有軸 行程120
PGE077VG	M5GFRE11-1000	不使用	無軸 行程120

28	M5GSTAD1310B000	PART	內管	Stanchion	1	Φ30X320L
27	M5GSTAD0310B000	PART	內管	Stanchion	1	Φ30X320L
26	M5GSPB-401-5	PART	緩衝墊	Top-Out Bumper	1	Φ24X20LX50mm
25	M5GRTBA260	ASSEMBLY	轉向管	Sleerer	1	
24	M5GFRE11-0000	PART	BLAZE有軸外管	RAXXON Casting	1	P125 Φ30
23	M5GDPAK03	PART	總成轉頭	Turn Base	1	8h
22	M5GDP7ARL-020	PART	彈簧	Corkscrew Coil Spring	1	20h
21	M5GDP7ARL-013	PART	止付螺絲	Grab screw	1	M3X5L
20	M5GCR82ECGA2000	PART	08P125Φ30壓縮彈簧	Crown	1	
19	M5GBHEDB1-1	PART	長變膠套	Bush	2	120
18	M5GBH8CDC2	ASSEMBLY	油封	oil seal	2	Φ30mm
17	M5GAE9DA183	PART	氣阻蓋	Air Cap	1	TBD
16	M5GAE8JB027	PART	外管座	Bottom-out spacer	1	20(18)L
15	M5GAE0DA275	PART	DT固定座 (DA, TNL 共用)	DT anchorage	1	M27.5x1.0
14	M5GACC0617-01	PART	六角螺絲	bolt	2	M5X15L
13	M5GAC9-1004	PART	六角螺絲	HEX Bolts	1	M3X0.5X10L
12	M5GAC8-0731	PART	線式固定夾	Wire Clip	1	For M3x0.5
11	M5GAC8-0404	PART	導套	Switch Stand	1	14.8L
10	M5GAC1203-106	PART	土除支架片 (右)		1	
9	M5GAC1203-105	PART	土除支架片 (左)		1	
8	M5FKD-2723-000	PART	煞車軸	pivot	2	M10X1.25
7	M5FHJ-2Y70-100	PART	C型彈簧	CTW	2	Φ41.9xΦ3x36
6	H5GDPEDC291-2	ASSEMBLY	氣壓棒	AIR CARTRIDGE	1	
5	H5GDPCBR1	ASSEMBLY	2012年一般線桿組	Remote control Assembly	1	
4	H5GDPCBK14	ASSEMBLY	TNL線桿 (120)	Travel lock-out Cartridge	1	行程120
3	H5GDPCARL3-1	ASSEMBLY	12'RL煞車線外線組	Remote Outline Assembly	1	
2	H5GDPBARL6	ASSEMBLY	08'RL加壓組 (高線)	Remote Outline Base	1	
1	1022A-02512C-B	PART	六角螺絲 (黑)	HEX BOLT	1	M2.5x0.45

Bill of material

MATERIAL	Assembly	Q'TY	1	MODEL	PULSE26 AIR-RL (120)	
UNIT	MM	SCALE	0.600	DRAW NO	PGE078VG	rev. A
FASHING	TREAT			NAME	爆炸圖	
DESIGN	DRAWING	CHECK	CONFIG	APPE	RST	