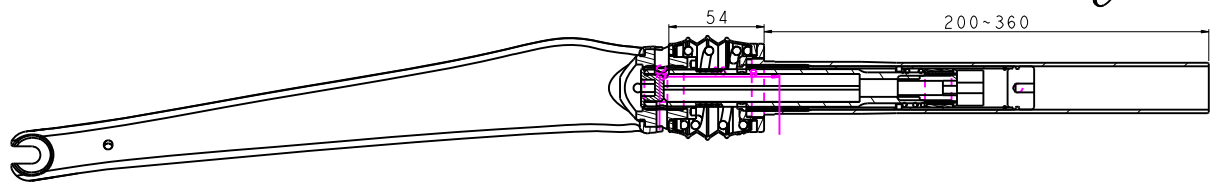
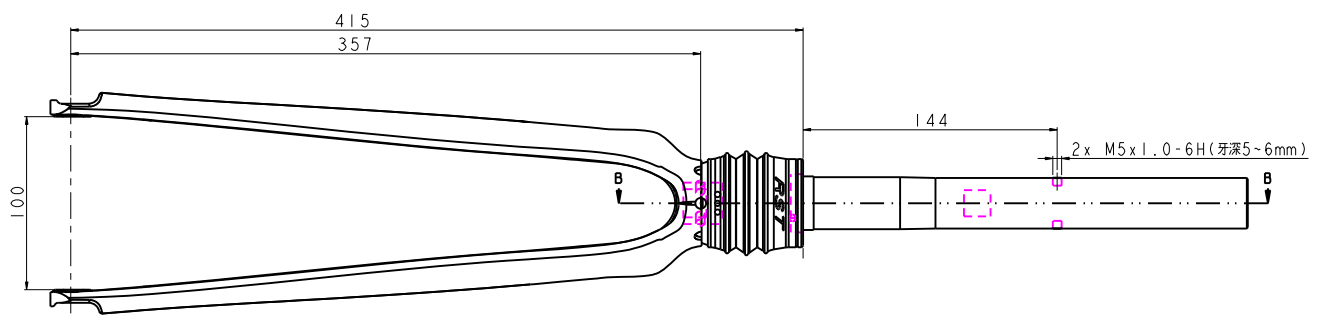


縮率 0.600



剖面 B-B



NO	PART NO	TYPE	CHINESE NAME	ENGLISH NAME	QTY	NOTE
20	M5GSPE1039-300	PART	緩衝彈簧		1	
19	M5GSPCA-5015	PART	定距橡皮		1	20*15mm
18	M5GSP01013-400	PART	彈簧		1	
17	M5GBHDFAC6	PART	內藏式伸縮套		1	
16	M5GBH8B82-8	PART	修正蓋端孔用圈		1	
15	M5GBHOCNC1	PART	油封		1	
14	M5GAEOLA340-3	PART	轉向管固定螺帽		1	M510.8*MM6mm
13	M5GAECFA245-1	PART	治緊固定螺		1	
12	M5GAEBFA254-2	PART	上滑動軸承固定螺		1	
11	M5GAOLA018-1	PART	中心軸固定螺帽		1	
10	M5GAC9-0816	PART	彈簧襯墊片		2	
9	M5GAC9-0626-1	PART	墊片		1	
8	M5GACO-1215-4	PART	螺套		1	
7	M5GACO-0929-1	PART	治緊螺絲	Bolt	2	
6	M5GACO-0625-1	PART	治緊螺絲	Bolt	2	
5	H5GR1CAAXX2500	ASSEMBLY	轉向管組		1	
4	H5GRF001-0100	ASSEMBLY	SS-R外管組		1	
3	H5GHCNF1	ASSEMBLY	清潔		1	
2	H5GAE9EB015	ASSEMBLY	上滑動軸承組		1	
1	8064C-01900	PART	O形環	O-ring	1	BAS568-019
NO	PART NO	TYPE	CHINESE NAME	ENGLISH NAME	QTY	NOTE

Bill of material

MATERIAL	ASSEMBLY	QTY	UNIT	SCALE	MODEL	REV.	DATE	DESCRIPTION	CHANGER	CHECK
		1	MM	0.700	I4'SS-R					
FASHING				TREAT	DRAW NO					
DESIGN	DRAWING	CHECK	CONFIG	APPE	NAME					
					組立圖					
					RST					

尺寸	公差	尺寸	公差
1.45-10	±0.2	1.45-10	±0.2
10.00±1.00	±0.3	10.00±1.00	±0.3
100.00±1.250	±0.5	100.00±1.250	±0.5
250.00±1.500	±0.8	250.00±1.500	±0.8
500 <	±1.3	500 <	±1.3