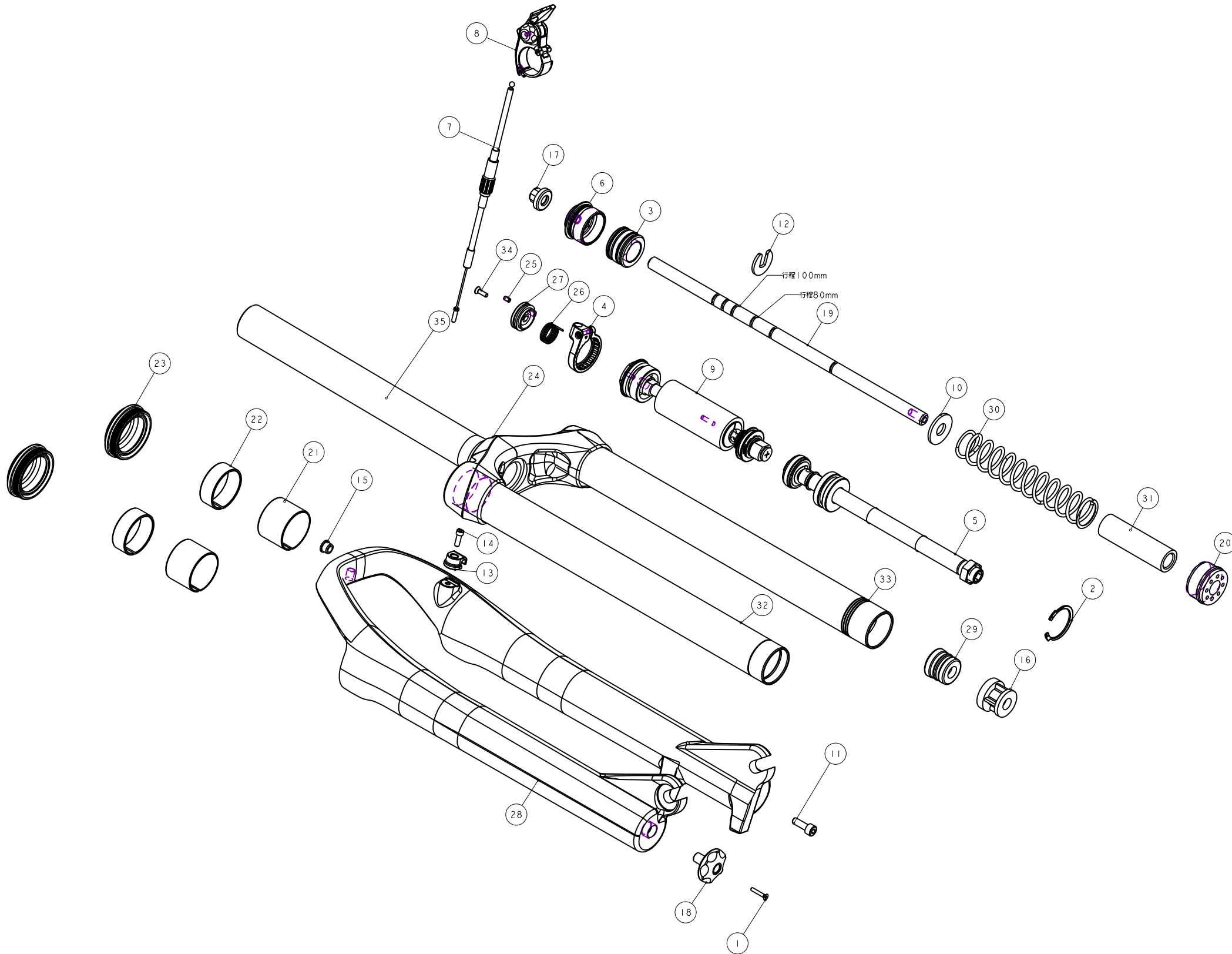


機械加工尺寸一般容許公差					REV.	DATE	DESCRIPTION	CHANGER	CHECK
尺寸	長度	尺寸	孔徑	軸徑					
1 <= 10	±0.2	1 <= 10	+0.2 0	0 -0.2					
10.001 <= 100	±0.3	10.001 <= 100	+0.3 0	0 -0.3					
100.001 <= 250	±0.5	100.001 <= 250	+0.5 0	0 -0.5					
250.001 <= 500	±0.8	250.001 <= 500	+1.0 0	0 -1.0					
500 <	±1.3	500 <	+1.5 1.0	0 -1.5					



品號共用如下，除下座插溝位置更換外，其餘皆共用。

品號	優力膠下座位置	規格
PGE0199F-	100	無軸有碟 行程100mm 總高495mm
PGE0199E-	80	無軸有碟 行程80mm 總高475mm

35	MFBV-286-700	PART	轉向管	Steerer	1	040550
34	M5R22-2Y11-100	PART	螺絲小螺絲	bolt	1	M3X0.5
33	M5GST2EE328H100	PART	內管加工	Stanchion	1	345L
32	M5GST2EA328H100	PART	內管加工	stanchion	1	345L
31	M5GSPEA-4065	PART	定距橡皮		1	
30	M5GSPB1127-294	PART	彈簧	Spring	1	067818
29	M5GSPB-401-5	PART	緩衝墊	Top-Out Bumper	1	ø24X20LX50H
28	M5GFRED2-1100	PART	650B無軸外管	RAXXON Casting	1	P130 ø32
27	M5GDPAK03	PART	總控旋轉	Turn Base	1	8h
26	M5GDP7ARL-020	PART	鎖簧	Corkscrew Coil Spring	1	20h
25	M5GDP7ARL-013	PART	止行螺絲	Grab screw	1	M3X5L
24	M5GCRE-FDZAJ000	PART	130磅管徑 0.6	Crown	1	
23	M5GBH8CEC1	ASSEMBLY	油封		2	TBD
22	M5GBH8AEF-U	PART	上襯套	Up Bushing	2	
21	M5GBH8AEF-D	PART	下襯套	Lower Bushing	2	
20	M5GAE8-300	PART	內管下座(氣內管用)	Cap	1	TBD
19	M5GAECJA285	PART	優力膠下座		1	
18	M5GAEBZ200	PART	調整座	Rebound Knob	1	068584
17	M5GA9DA183	PART	氣筒蓋	Air Cap	1	TBD
16	M5GA8JB027	PART	外管座	Bottom-out spacer	1	201181L
15	M5GACC0603-01	PART	轉接座	ADAPTER	1	
14	M5GAC9-1004	PART	圓筒內六角螺絲	HEX Bolts	1	M3X0.5X10L
13	M5GAC8-0731	PART	鎖式固定夾	Wire Clip	1	For M3x0.5
12	M5GAC8-001	PART	下座墊片		1	040968
11	M5GAC6002	PART	圓筒內六角螺絲(NYSEAL)	bolt(NYSEAL)	1	M5X0.8X15L
10	M5FPX-2Y21-000	PART	墊片	Washer	1	
9	H5GDPKAK30B	ASSEMBLY	鎖死螺絲組	lock-out Assembly	1	
8	H5GDPDAR1	ASSEMBLY	TRL鎖桿組(可鎖式)	Tiny Remote Lockout	1	
7	H5GDPDAK08	ASSEMBLY	高級TRL外線組(500L)	Remote Outline Assembly	1	
6	H5GDPCC245	ASSEMBLY	輕量氣筒螺絲組		1	
5	H5GDP9AD300-3	ASSEMBLY	TITAN鎖死螺絲組	Hydraulic Damping Assembly	1	
4	H5GDPBARL6	ASSEMBLY	08'RL扣環組(高級)	Remote Outline Base	1	
3	H5GAEOLP32	ASSEMBLY	活塞組	Air Piston	1	
2	3052D-30000	PART	孔用中心止輪	C-Clip	1	1R30
1	1022A-02515	PART	螺絲螺絲	Bolt	1	M2.5X0.45X15L
NO	PART NO	TYPE	CHINESE NAME	ENGLISH NAME	QTY	NOTE

### Bill of material

MATERIAL	ASSEMBLY	Q'TY	1	MODEL	14'FIRST 650B AIR.TRL(80/100)
UNIT	MM	SCALE	0.600	DRAW NO	PGE0199F- rev. B
FASHING	TREAT			NAME	爆炸圖
DESIGN	DRAWING	CHECK	CONFIG	APPE	RST