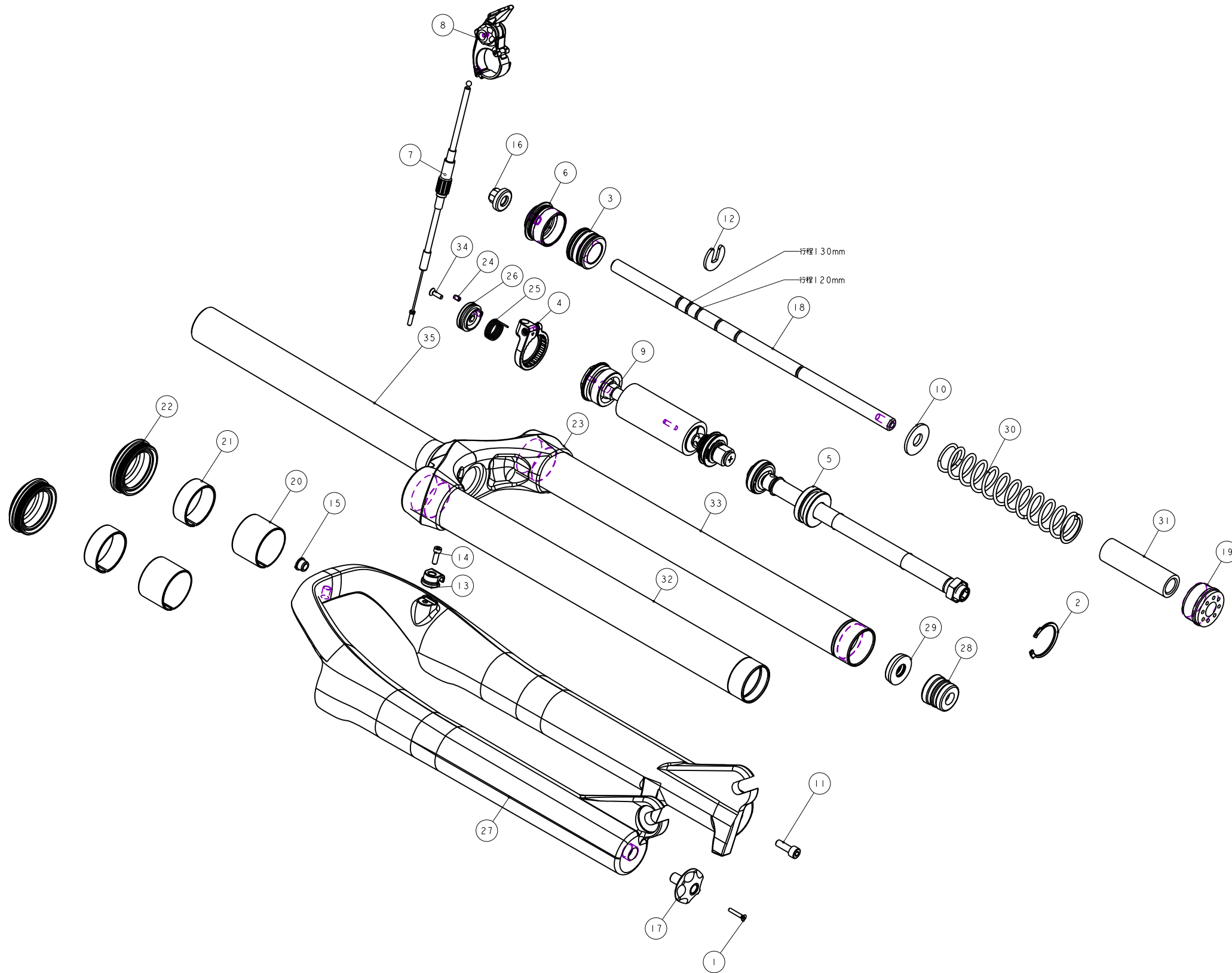


機械加工尺寸一般容許公差					REV.	DATE	DESCRIPTION	CHANGER	CHECK
尺寸	長度	尺寸	孔徑	軸徑					
1 <= 10	±0.2	1 <= 10	+0.2 -0.2	+0.2 -0.2					
10.001 <= 100	±0.3	10.001 <= 100	+0.3 -0.3	+0.3 -0.3					
100.001 <= 250	±0.5	100.001 <= 250	+0.5 -0.5	+0.5 -0.5					
250.001 <= 500	±0.8	250.001 <= 500	+1.0 -1.0	+1.0 -1.0					
500 <	±1.3	500 <	+1.5 -1.5	+1.5 -1.5					



品號	機力膠下座位置	規格
PGE0199G-	120	無軸有碟 行程120mm 總高51.5mm
PGE0199H-	130	無軸有碟 行程130mm 總高52.5mm

35	MFBV-286-700	PART	轉向管	Steerer	1	040550
34	M5R22-2Y11-100	PART	螺絲小螺絲	bolt	1	M3X0.5
33	M5GST2EE345H000	PART	內管加工	Stanchion	1	345L
32	M5GST2EA345H000	PART	內管加工	stanchion	1	345L
31	M5GSPEA-4065	PART	定距橡皮		1	
30	M5GSPB1127-294	PART	彈簧	Spring	1	067818
29	M5GSPB-5006-2	PART	緩衝墊	Top-Out Bumper	1	*24X*10.5X6L
28	M5GSPB-401-5	PART	緩衝墊	Top-Out Bumper	1	*24X20LX50M
27	M5GFRED2-1100	PART	650B無軸外管	RAXXON Casting	1	P130 *32
26	M5GDPAK03	PART	總控旋轉鈕	Turn Base	1	8h
25	M5GDP7ARL-020	PART	彈簧	Corkscrew Coil Spring	1	20h
24	M5GDP7ARL-013	PART	止付螺絲	Grub screw	1	M3X5L
23	M5GCRE-FDZAJ000	PART	130磅管徑 0.6	Crown	1	
22	M5GBH8CEC1	ASSEMBLY	油封		2	TBD
21	M5GBH8AEF-U	PART	上襯套	Up Bushing	2	
20	M5GBH8AEF-D	PART	下襯套	Lower Bushing	2	
19	M5GAEEB-300	PART	內管下座(氣內管用)	Cop	1	TBD
18	M5GAECJA285	PART	機力膠下座		1	
17	M5GAEBAZ200	PART	調整座	Rebound Knob	1	068584
16	M5GAE9DA183	PART	氣筒蓋	Air Cap	1	TBD
15	M5GACC0603-01	PART	轉接座	ADAPTER	1	
14	M5GAC9-1004	PART	圓筒內六角螺絲	HEX Bolts	1	M3X0.5X10L
13	M5GAC8-0731	PART	鎖式固定夾	Wire Clip	1	For M3x0.5
12	M5GAC8-001	PART	下座墊片		1	040968
11	M5GAC6002	PART	圓筒內六角螺絲(NYSEAL)	bolt(NYSEAL)	1	M5X0.8X15L
10	M5FPX-2Y21-000	PART	墊片	Washer	1	
9	H5GDPKAK30B	ASSEMBLY	鎖死螺絲組	lock-out Assembly	1	
8	H5GDPDARI	ASSEMBLY	TRL螺絲組(可鎖式)	Tiny Remote Lockout	1	
7	H5GDPDAK08	ASSEMBLY	高級TRL外螺絲組(500L)	Remote Outline Assembly	1	
6	H5GDPCCC245	ASSEMBLY	輕量氣筒螺絲組		1	
5	H5GDPBAD14	ASSEMBLY	TITANIUM 140/120 活瓣螺絲組	outlet Damping Assembly	1	
4	H5GDPBARL6	ASSEMBLY	08'RL扣環組(高級)	Remote Outline Base	1	
3	H5GAEOLP32	ASSEMBLY	活瓣組	Air Piston	1	
2	3052D-30000	PART	孔用中心止輪	C-Clip	1	1R30
1	1022A-02515	PART	螺絲螺絲	Bolt	1	M2.5X0.45X15L
NO	PART NO	TYPE	CHINESE NAME	ENGLISH NAME	QTY	NOTE

Bill of material

MATERIAL	ASSEMBLY	Q'TY	1	MODEL	14'FIRST 650B AIR.TRL(120/130)
UNIT	MM	SCALE	0.600	DRAW NO	PGE0199G- rev. B
FASHING	TREAT				
DESIGN	DRAWING	CHECK	CONFIG	APPE	NAME
					爆炸圖
					RST