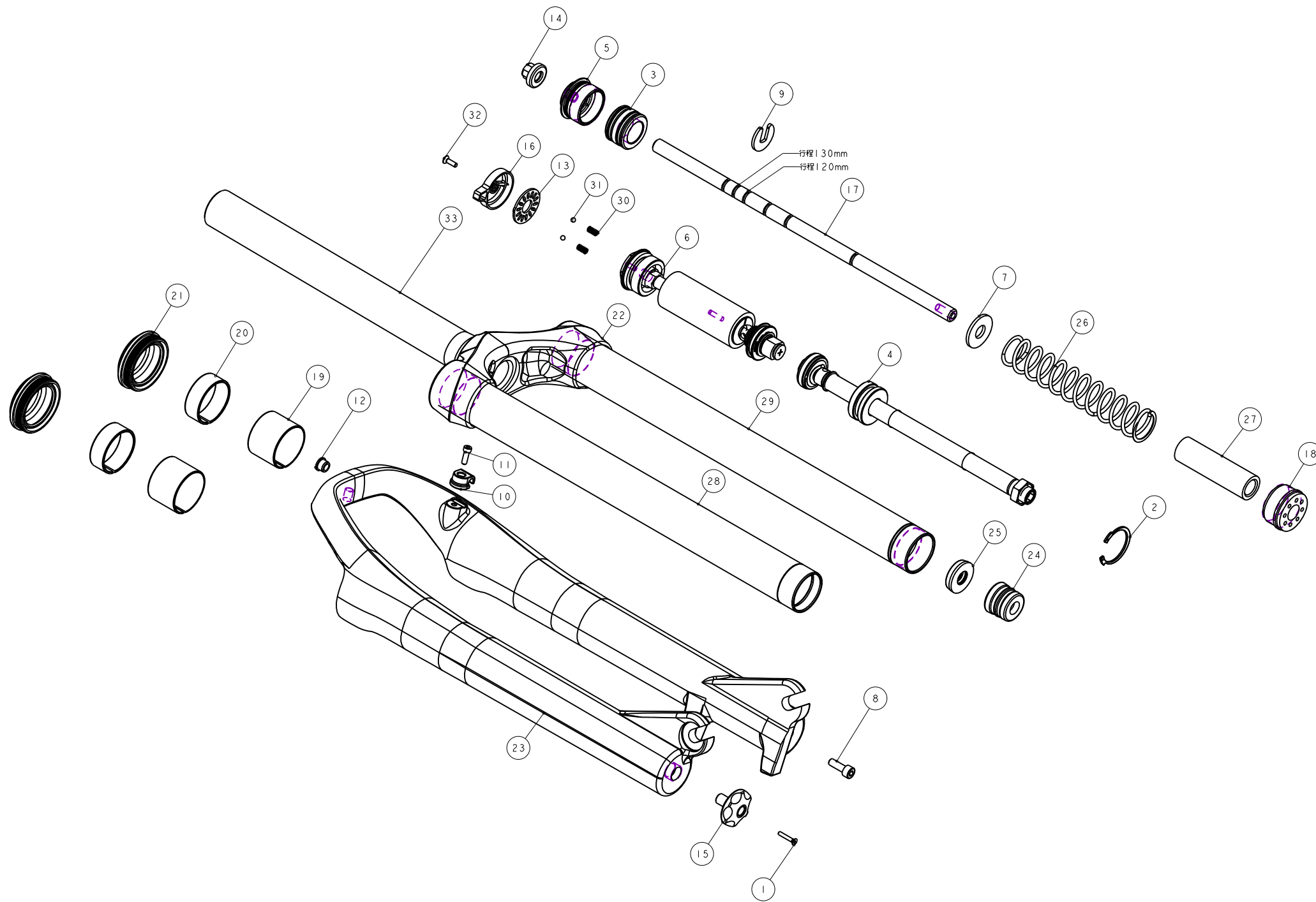


機械加工尺寸一般容許公差					REV.	DATE	DESCRIPTION	CHANGER	CHECK
尺寸	長度	尺寸	孔徑	軸徑					
1 <= 10	±0.2	1 <= 10	+0.2 -0.2	+0.2 -0.2					
10.001 <= 100	±0.3	10.001 <= 100	+0.3 -0.3	+0.3 -0.3					
100.001 <= 250	±0.5	100.001 <= 250	+0.5 -0.5	+0.5 -0.5					
250.001 <= 500	±0.8	250.001 <= 500	+1.0 -1.0	+1.0 -1.0					
500 <	±1.3	500 <	+1.5 -1.5	+1.5 -1.5					



品號	優力膠下座位置	規格
PGE019FG-	120	無軸有碟 行程120mm 總高51.5mm
PGE019FH-	130	無軸有碟 行程130mm 總高52.5mm

33	MFBV-286-700	PART	轉向管	Steerer	1	040550
32	M5R22-2Y11-100	PART	螺絲小螺絲	bolt	1	M3X0.5
31	M5K43-2730-000	PART	小鋼珠	Steel ball	2	#4
30	M5K43-2351-000	PART	彈簧	Spring	2	Pitch 0.85
29	M5GST2EE345H000	PART	內管加工	Stanchion	1	345L
28	M5GST2EA345H000	PART	內管加工	stanchion	1	345L
27	M5GSPEA-4065	PART	定距橡皮		1	
26	M5GSPB1127-294	PART	彈簧	Spring	1	067818
25	M5GSPB-5006-2	PART	緩衝墊	Top-Out Bumper	1	#24X10.5X6L
24	M5GSPB-401-5	PART	緩衝墊	Top-Out Bumper	1	#24X20LX50M
23	M5GFRED2-1100	PART	650B無軸外管	RANXON Casting	1	P130 #32
22	M5GCRE-FDZAJ000	PART	130磅管 0.6	Crown	1	
21	M5GBH8CEC1	ASSEMBLY	油封		2	TBD
20	M5GBH8AEF-U	PART	上襯套	Up Bushing	2	
19	M5GBH8AEF-D	PART	下襯套	Lower Bushing	2	
18	M5GAEB-300	PART	內管下座(氣內管用)	Cap	1	TBD
17	M5GAC JA285	PART	優力膠下座		1	
16	M5GACBTN38	PART	鎖死調整座	OCR KNOBS	1	073060
15	M5GACBAZ200	PART	調整座	Rebound Knob	1	068584
14	M5GAE9DA183	PART	氣筒蓋	Air Cap	1	TBD
13	M5GAE9CS27-1	PART	OCR鎖死調整座墊片	shim	1	073059-01
12	M5GACCO603-01	PART	轉接座	ADAPTER	1	
11	M5GAC9-1004	PART	圓筒內六角螺絲	HEX Bolts	1	M3X0.5X10L
10	M5GAC8-0731	PART	鐵式固定夾	Wire Clip	1	For M3x0.5
9	M5GAC8-001	PART	下座墊片		1	040968
8	M5GAC6002	PART	圓筒內六角螺絲(NYSEAL)	bolt(NYSEAL)	1	M5X0.8X15L
7	M5FPX-2Y21-000	PART	墊片	Washer	1	
6	H5GDPKAK30B	ASSEMBLY	鎖死螺絲	lock-out Assembly	1	
5	H5GDPCCC245	ASSEMBLY	輕量氣筒螺絲		1	
4	H5GDPBAD14	ASSEMBLY	TITANIUM 140/120活瓣螺絲	oulvic Damping Assembly	1	
3	H5GAEOLP32	ASSEMBLY	活瓣螺絲	Air Piston	1	
2	3052D-30000	PART	孔用中心止輪	C-Clip	1	1R30
1	1022A-02515	PART	螺絲螺絲	Bolt	1	M2.5X0.45X15L
NO	PART NO	TYPE	CHINESE NAME	ENGLISH NAME	QTY	NOTE

Bill of material

MATERIAL	ASSEMBLY	Q'TY	UNIT	SCALE	MODEL	14'FIRST 650B AIR(120/130)
		1	MM	0.600		
			TREAT		DRAW NO	PGE019FG- rev. B
DESIGN	DRAWING	CHECK	CONFIG	APPE	NAME	爆炸圖
						RST