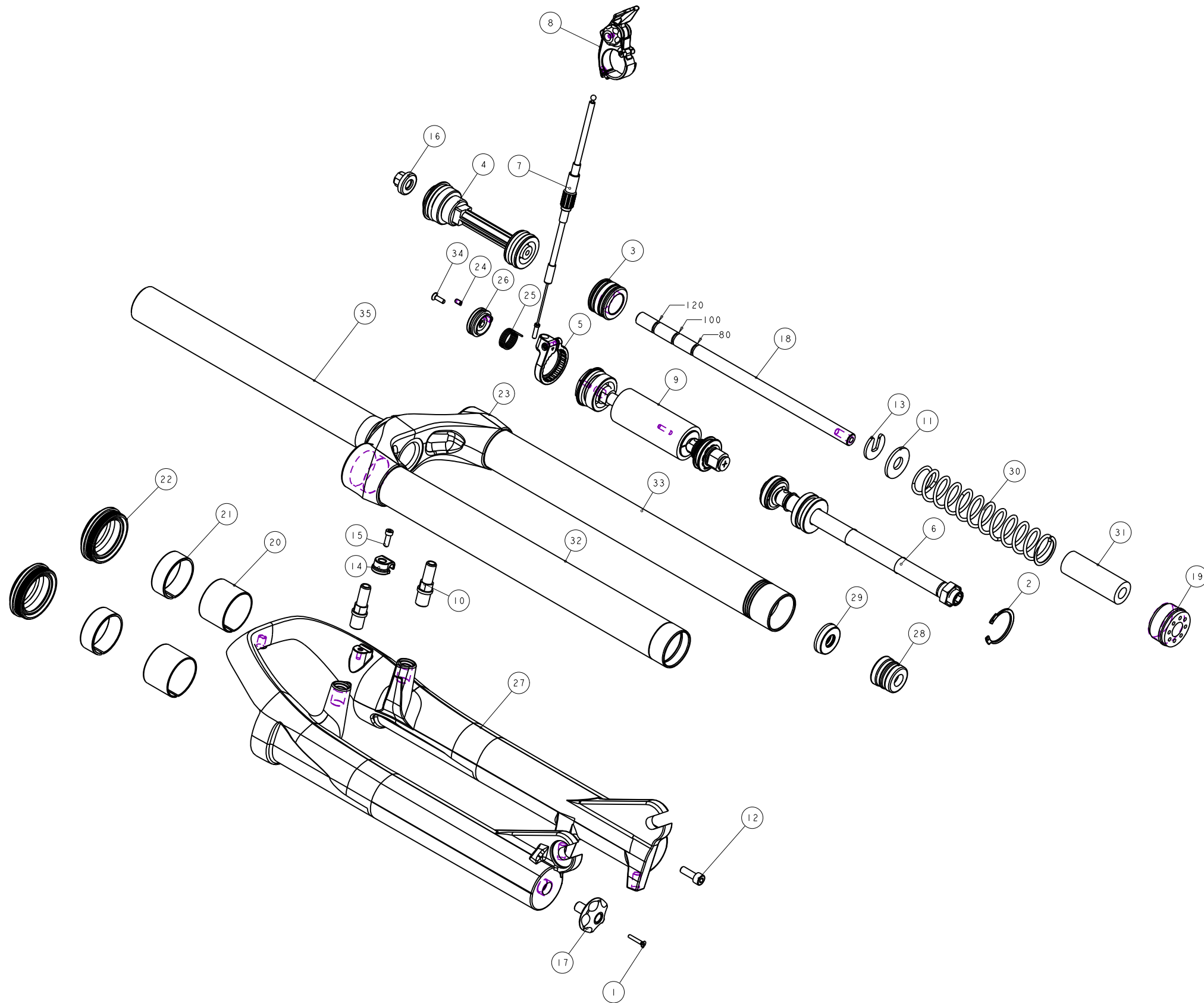


| 機械加工尺寸一般容許公差   |      |                |              |              | REV. | DATE | DESCRIPTION | CHANGER | CHECK |
|----------------|------|----------------|--------------|--------------|------|------|-------------|---------|-------|
| 尺寸             | 長度   | 尺寸             | 孔徑           | 軸徑           |      |      |             |         |       |
| 1 <= 10        | ±0.2 | 1 <= 10        | +0.2<br>-0.2 | +0<br>-0.2   |      |      |             |         |       |
| 10.001 <= 100  | ±0.3 | 10.001 <= 100  | +0.3<br>-0.3 | +0<br>-0.3   |      |      |             |         |       |
| 100.001 <= 250 | ±0.5 | 100.001 <= 250 | +0.5<br>-0.5 | +0<br>-0.5   |      |      |             |         |       |
| 250.001 <= 500 | ±0.8 | 250.001 <= 500 | +1.0<br>-1.0 | +1.0<br>-1.0 |      |      |             |         |       |
| 500 <          | ±1.3 | 500 <          | +1.5<br>-1.5 | +1.5<br>-1.5 |      |      |             |         |       |



NOTE :

此圖面與下列品號共用，除外管須依表更換外，其餘零件皆共用

| 品號        | 外管                    | 規格說明               |
|-----------|-----------------------|--------------------|
| PGE0139G- | M5GFRKCI-0100<br>有軸外管 | 有軸 行程120mm 總高500mm |
| PGE0139F- | M5GFRKCI-0100<br>有軸外管 | 有軸 行程100mm 總高480mm |
| PGE0139E- | M5GFRKCI-0100<br>有軸外管 | 有軸 行程80mm 總高460mm  |
| PGE0149G- | M5GFRKCI-1100<br>無軸外管 | 無軸 行程120mm 總高500mm |
| PGE0149F- | M5GFRKCI-1100<br>無軸外管 | 無軸 行程100mm 總高480mm |
| PGE0149E- | M5GFRKCI-1100<br>無軸外管 | 無軸 行程80mm 總高460mm  |

| NO | PART NO         | CHINESE NAME | ENGLISH NAME    | QTY | NOTE                       |
|----|-----------------|--------------|-----------------|-----|----------------------------|
| 35 | MFBV-286-700    | PART         | 轉向管             | 1   | 040550                     |
| 34 | M5R22-2Y11-100  | PART         | 螺絲小螺絲           | 1   | M3X0.5                     |
| 33 | M5GST2EE328H100 | PART         | 內管加工            | 1   | 345L                       |
| 32 | M5GST2EA328H100 | PART         | 內管加工            | 1   | 345L                       |
| 31 | M5GSPBB-4055    | PART         | 緩衝墊             | 1   |                            |
| 30 | M5GSPB1127-294  | PART         | 彈簧              | 1   | 067818                     |
| 29 | M5GSPB-5006-2   | PART         | 緩衝墊             | 1   | *24X*10.5X6L               |
| 28 | M5GSPB-401-5    | PART         | 緩衝墊             | 1   | *24X20LX50mm               |
| 27 | M5GFRKCI-0100   | PART         | 12'FIRST32-螺絲外管 | 1   | P130 *32                   |
| 26 | M5GDPAK03       | PART         | 螺絲螺絲            | 1   | 8h                         |
| 25 | M5GDP7ARL-020   | PART         | 螺絲              | 1   | 20h                        |
| 24 | M5GDP7ARL-013   | PART         | 止付螺絲            | 1   | M3X5L                      |
| 23 | M5GCRC-FDZA2000 | PART         | 12'FIRST32螺絲    | 1   |                            |
| 22 | M5GBH8CEC1      | ASSEMBLY     | 油封              | 2   | TBD                        |
| 21 | M5GBH8AEF-U     | PART         | 上襯套             | 2   |                            |
| 20 | M5GBH8AEF-D     | PART         | 下襯套             | 2   |                            |
| 19 | M5GAEB-300      | PART         | 內管下套(氣內管用)      | 1   | TBD                        |
| 18 | M5GAECJA218     | PART         | 壓力膠下套           | 1   |                            |
| 17 | M5GAEBAZ200     | PART         | 調整座             | 1   | 068584                     |
| 16 | M5GA9DA183      | PART         | 氣筒蓋             | 1   | TBD                        |
| 15 | M5GAC9-1004     | PART         | 螺絲六角螺絲          | 1   | M3X0.5X10L                 |
| 14 | M5GAC8-0731     | PART         | 鐵式固定夾           | 1   | For M3x0.5                 |
| 13 | M5GAC8-001      | PART         | 下套墊片            | 1   | 040968                     |
| 12 | M5GAC6002       | PART         | 螺絲六角螺絲(NYSEAL)  | 1   | M5X0.8X15L                 |
| 11 | M5FPX-2Y21-000  | PART         | 墊片              | 1   |                            |
| 10 | M5FKD-2723-000  | PART         | 螺絲軸             | 2   | M10X1.25                   |
| 9  | H5GDPPEAK30B    | ASSEMBLY     | 鎖死螺絲            | 1   | lock-out Assembly          |
| 8  | H5GDPDARI       | ASSEMBLY     | TRL螺絲(可鎖式)      | 1   | Tiny Remote Lockout        |
| 7  | H5GDPDAK08      | ASSEMBLY     | 高線TRL外螺絲(500L)  | 1   | Remote Outline Assembly    |
| 6  | H5GDP9AD300-3   | ASSEMBLY     | TITAN螺絲螺絲       | 1   | Hydraulic Damping Assembly |
| 5  | H5GDP8ARL6      | ASSEMBLY     | 08'RL螺絲(高線)     | 1   | Remote Outline Base        |
| 4  | H5GDP0CR80      | ASSEMBLY     | 螺絲螺絲(含螺絲)       | 1   | Fixed Guide Assembly       |
| 3  | H5GAELP32       | ASSEMBLY     | 活套螺             | 1   | Air Piston                 |
| 2  | 3052D-30000     | PART         | 孔用中心止輪          | 1   | C-Clip 1R30                |
| 1  | 1022A-02515     | PART         | 螺絲螺絲            | 1   | M2.5X0.45X15L              |

Bill of material

| MATERIAL | Assembly | Q'TY  | 1      | MODEL   | 14'FIRST32 AIR TRL(80/100/120) |
|----------|----------|-------|--------|---------|--------------------------------|
| UNIT     | MM       | SCALE | 0.600  | DRAW NO | PGE0139G- rev. 1.0             |
| FASHING  | TREAT    |       |        | NAME    | 爆炸圖                            |
| DESIGN   | DRAWING  | CHECK | CONFIG | APPE    | RST                            |