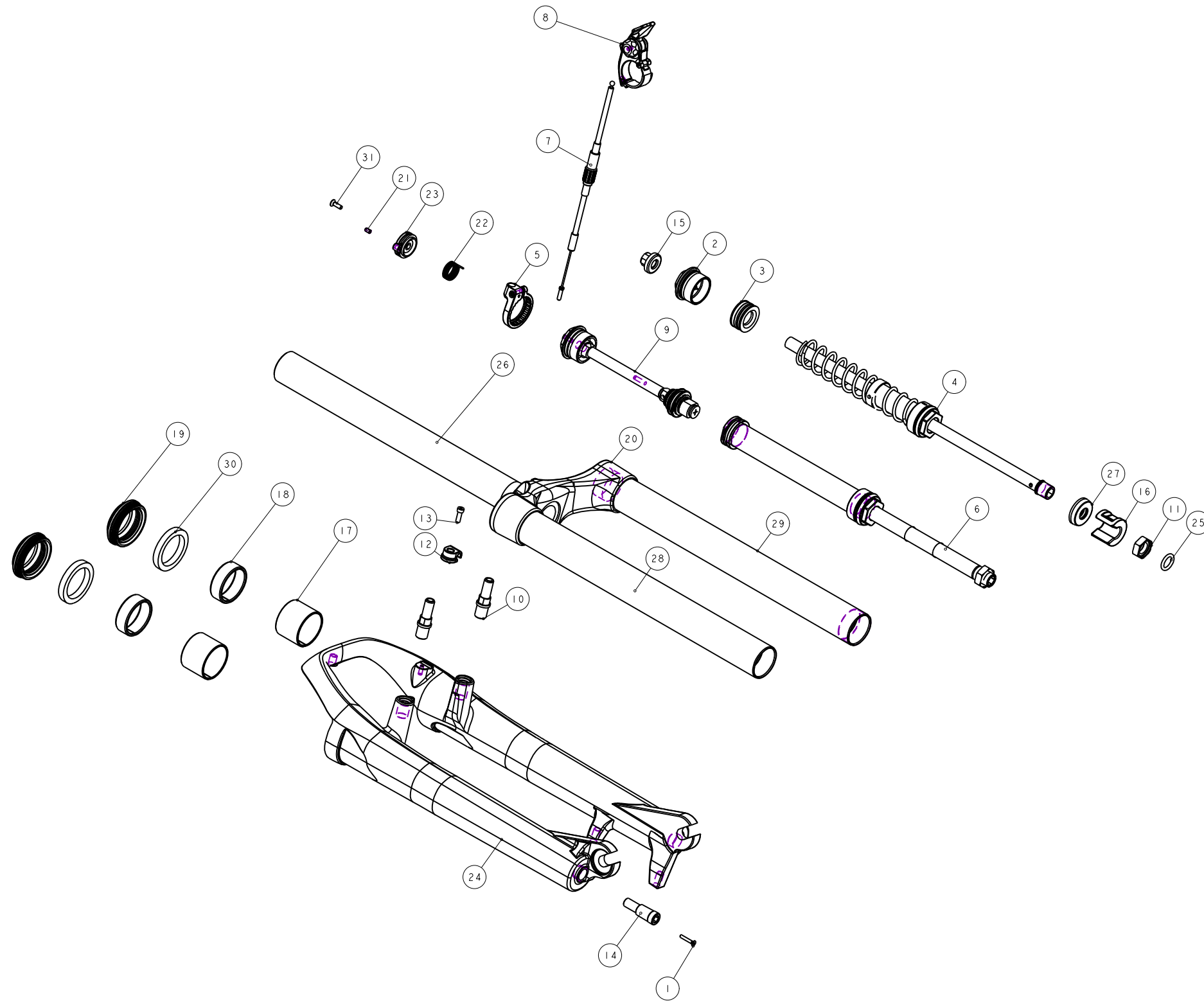


機械加工尺寸一般容許公差						REV.	DATE	DESCRIPTION	CHANGER	CHECK
尺寸	長度	尺寸	孔徑	軸徑						
1 <= 10	±0.2	1 <= 10	+0.2 -0.2	+0.2 -0.2						
10.001 <= 100	±0.3	10.001 <= 100	+0.3 -0.3	+0.3 -0.3						
100.001 <= 250	±0.5	100.001 <= 250	+0.5 -0.5	+0.5 -0.5						
250.001 <= 500	±0.8	250.001 <= 500	+1.0 -1.0	+1.0 -1.0						
500 <	±1.3	500 <	+1.5 -1.5	+1.5 -1.5						



NOTE:
此圖面共用於14' FIRST 30 Platinum(80mm/100mm)
除外管組及優力膠下座組需依以下列表替換外,其餘零件皆為共用

品號	外管組替換料件	優力膠下座組	差異性
PGE015SF-	M5GFRUII-0200	H5GAECHA287	有軸 行程100
PGE015SE-	M5GFRUII-0200	H5GAECHA287-I	有軸 行程80
PGE016SF-	M5GFRUII-1200	H5GAECHA287	無軸 行程100
PGE016SE-	M5GFRUII-1200	H5GAECHA287-I	無軸 行程80

31	M5R22-2Y11-100	PART	埋頭小螺絲	bolt	1	M3X0.5
30	M5K41-2310-000	PART	襯墊	Liner	2	064622
29	M5GST2DE298H800	PART	氣用內管(輕量)	Stanchion	1	Ø 30
28	M5GST2DA298H700	PART	油用內管(輕量)	Stanchion	1	Ø 30
27	M5GSPB-5006-2	PART	緩衝墊	Top-Out Bumper	1	Ø24X*10.5X6L
26	M5GRT9A300	PART	轉向管(輕量)	Steerer	1	
25	M5GOR8-240-1080	PART	O-RING	O-Ring	1	
24	M5GFRUII-0200	PART	FIRST有軸外管	RAXXON Casting	1	P130 Ø30
23	M5GDPAK03	PART	線控旋轉鈕	Turn Base	1	8h
22	M5GDP7ARL-020	PART	鉗簧	Corkscrew Coil Spring	1	20h
21	M5GDP7ARL-013	PART	止付螺絲	Grub screw	1	M3X5L
20	M5GCR9-FCZA200A	PART	130壓鑄頭(粉烤亮黑)	Crown	1	P130
19	M5GBHCCCI-1	PART	油封	Oil seal	2	
18	M5GBH9ADA-U	PART	上襯套	Bush	2	
17	M5GBH9ADA-D	PART	下襯套	Bush	2	
16	M5GAE9JP131	PART	外管座	Bottom-out spacer	1	
15	M5GAE9DA183	PART	氣閘蓋	Air Cap	1	TBD
14	M5GAE9AZ034-1	PART	回彈調整旋鈕(鋁合金版)	Rebound knob	1	
13	M5GAC9-1004	PART	圓頭內六角螺絲	HEX Bolts	1	M3X0.5X10L
12	M5GAC8-0731	PART	鎖式固定夾	Wire Clip	1	For M3x0.5
11	M5GAC66	PART	六角杯型螺帽	Nut	1	M5X0.8六角8mm
10	M5FKD-2723-000	PART	煞車軸	pivot	2	M10X1.25
9	H5GDPEAK30B-2	ASSEMBLY	鎖死棒組	lock-out Assembly	1	
8	H5GDPDARI	ASSEMBLY	TRL撥桿組(可鎖式)	Tiny Remote Lockout	1	
7	H5GDPDAK08	ASSEMBLY	高級TRL外線組(500mm)	Elite Outline Assembly	1	
6	H5GDP9AD265	ASSEMBLY	管中管活塞桿組(輕量)	Hydraulic Damping	1	
5	H5GDP8ARL6	ASSEMBLY	08"RL扣環組(高級)	Remote Outline Base	1	
4	H5GAECHA287	ASSEMBLY	輕量版優力膠下座組		1	
3	H5GAE9FA248	ASSEMBLY	活塞組	Air piston	1	TBD
2	H5GAE9DA233	ASSEMBLY	氣閘組	Fixed Guide Assembly	1	068155
1	I022A-02515	PART	埋頭螺絲	Bolt	1	M2.5X0.45X15L
NO	PART NO	TYPE	CHINESE NAME	ENGLISH NAME	QTY	NOTE

Bill of material

MATERIAL	ASSEMBLY	Q'TY	1	MODEL	14' FIRST 30 PLATINUM-TRL(80/100)		
UNIT	MM	SCALE	0.500	DRAW NO	PGE015SF-	rev.	1.0
FASHING	TREAT			NAME	爆炸圖		
DESIGN	DRAWING	CHECK	CONF IG	APPE	RST		