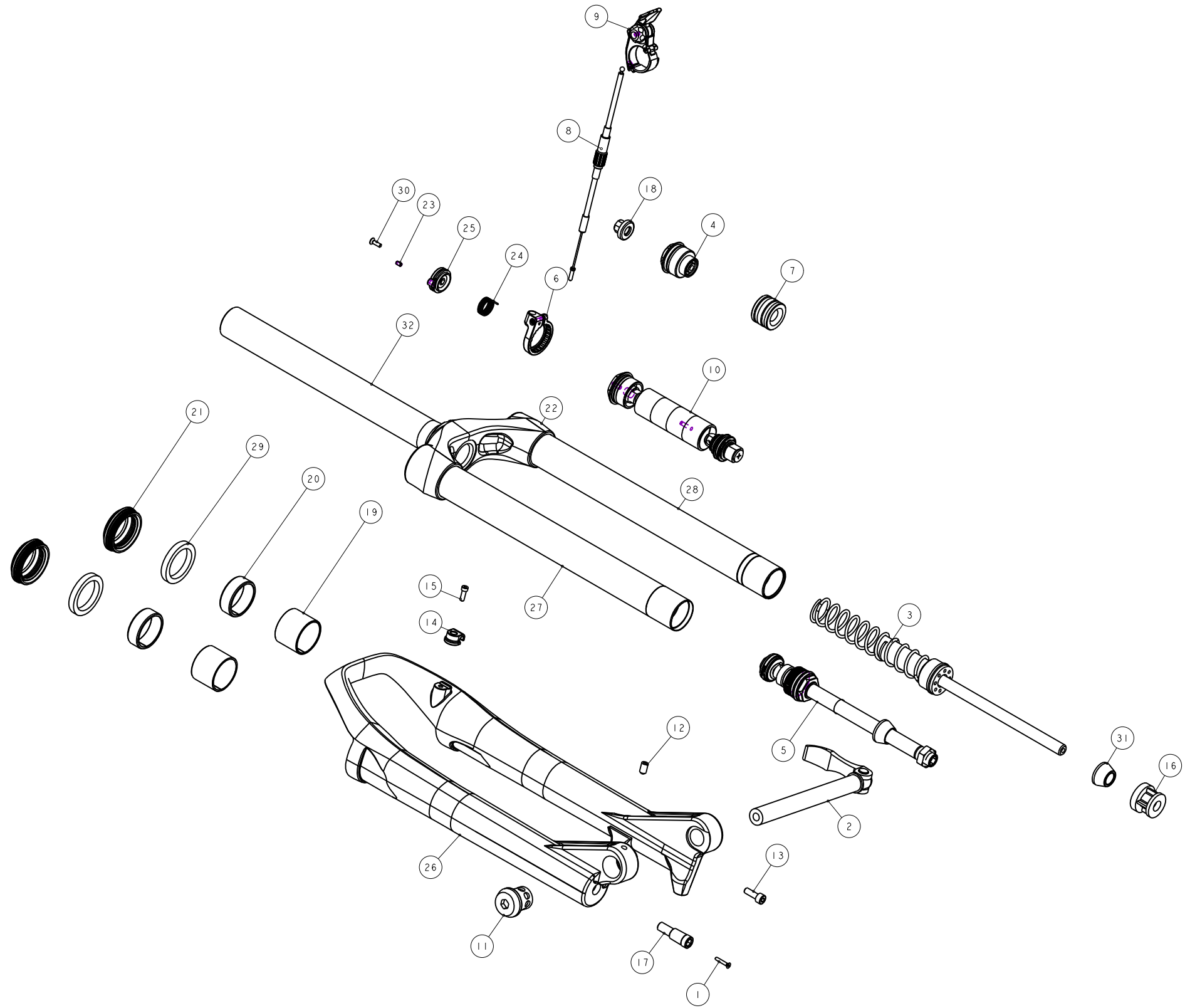


機械加工尺寸一般容許公差					REV.	DATE	DESCRIPTION	CHANGER	CHECK
尺寸	長度	尺寸	孔徑	軸徑					
1 <= 10	±0.2	1 <= 10	+0.2 -0	+0 -0.2					
10.001 <= 100	±0.3	10.001 <= 100	+0.3 -0	+0 -0.3					
100.001 <= 250	±0.5	100.001 <= 250	+0.5 -0	+0 -0.5					
250.001 <= 500	±0.8	250.001 <= 500	+1.0 -0	+0 -1.0					
500 <	±1.3	500 <	+1.5 -1.0	+0 -1.5					



32	MFBV-286-700	PART	轉向管	Steerer	1	040550
31	M5S32-2310-000	PART	緩衝墊	Top-Out Bumper	1	#21.5X11.5
30	M5R22-2Y11-100	PART	螺絲小螺絲	bolt	1	M3X0.5
29	M5K41-2310-000	PART	襯墊	Liner	2	064622
28	M5GST2DE308H100	PART	氣用內管	Stanchion	1	
27	M5GST2DA308H100	PART	油用內管	Stanchion	1	
26	M5GFRU15-1100	PART	12'FIRST 15外管	RAXXON Casting	1	P130 #32
25	M5GDPAK03	PART	總攪轉軸	Turn Base	1	8h
24	M5GDP7ARL-020	PART	彈簧	Corkscrew Coil Spring	1	20h
23	M5GDP7ARL-013	PART	止付螺絲	Grub screw	1	M3X5L
22	M5GCRC-FCZA2000	PART	12'FIRST30_15轉管	Crown	1	
21	M5GBHCCCC1-1	PART	油封	Oil seal	2	
20	M5GBH8ADF-U	PART	上襯套	Bush	2	
19	M5GBH8ADF-D	PART	下襯套	Bush	2	
18	M5GAE9DA183	PART	氣嘴蓋	Air Cap	1	TBD
17	M5GAE9AZ034	PART	回彈調整旋鈕	Rebound knob	1	
16	M5GAE8JB027	PART	外管座	Bottom-out spacer	1	20(18)L
15	M5GAC9-1004	PART	圓筒內六角螺絲	HEX Bolts	1	M3X0.5X10L
14	M5GAC8-0731	PART	鎖式固定夾	Wire Clip	1	For M3x0.5
13	M5GAC6002	PART	圓筒內六角螺絲 ( NYSEAL )	bolt(NYSEAL)	1	M5X0.8X15L
12	M5GAC06010	PART	固定螺絲	Bolt	1	
11	M5GAC00212	PART	固定螺	Bolt	1	
10	H5GDPEAK30B-1	ASSEMBLY	鎖死螺絲	lock-out Assembly	1	
9	H5GDPDAR1	ASSEMBLY	TRL 鎖桿組 ( 可鎖式 )	Tiny Remote Lockout	1	
8	H5GDPDAK08	ASSEMBLY	高級 TRL 外鎖組 ( 500L )	Remote Outline Assembly	1	
7	H5GDPBD26	ASSEMBLY	F1 活塞組	Air piston	1	
6	H5GDP8ARL6	ASSEMBLY	08'RL 扣環組 ( 高級 )	Remote Outline Base	1	
5	H5GDPDAD265-3	ASSEMBLY	活塞彈簧組	Rebound Assembly	1	
4	H5GAECMA-265-1	ASSEMBLY	固定螺絲組	Fixed Guide	1	
3	H5GAECJA215	ASSEMBLY	復力膠下座組	Compression Rod Assembly	1	
2	H5GAC00211	ASSEMBLY	15 軸心	15 OR Axle	1	
1	I022A-02515	PART	螺絲螺絲	Bolt	1	M2.5X0.45X15L

Bill of material						
MATERIAL	ASSEMBLY	Q'TY	1	MODEL	14' FIRST 30-15 AIR-TRL(120)	
UNIT	MM	SCALE	0.500	DRAW NO	PGE0179G-	rev. 1.0
FASHING	TREAT			NAME	爆炸圖	
DESIGN	DRAWING	CHECK	CONFIG	APPE	RST	