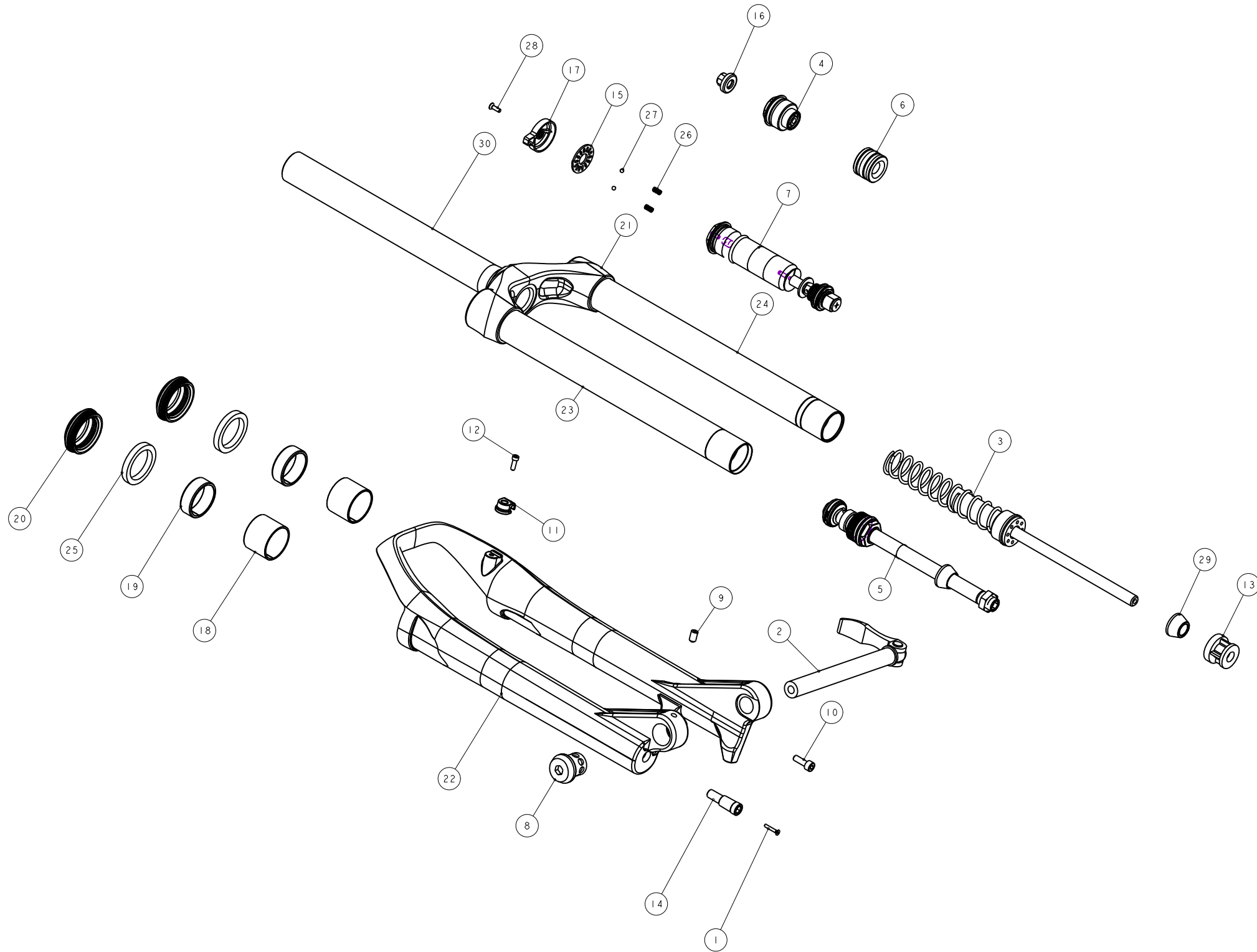


機械加工尺寸一般容許公差					REV.	DATE	DESCRIPTION	CHANGER	CHECK
尺寸	長度	尺寸	孔徑	軸徑					
1 <= 10	±0.2	1 <= 10	+0.2 -0.2	+0.2 -0.2					
10.001 <= 100	±0.3	10.001 <= 100	+0.3 -0.3	+0.3 -0.3					
100.001 <= 250	±0.5	100.001 <= 250	+0.5 -0.5	+0.5 -0.5					
250.001 <= 500	±0.8	250.001 <= 500	+1.0 -1.0	+1.0 -1.0					
500 <	±1.3	500 <	+1.5 -1.5	+1.5 -1.5					



30	MFBV-286-700	PART	轉向管	Steerer	1	040550
29	M5S32-2310-000	PART	緩衝墊	Top-Out Bumper	1	φ21.5X11.5
28	M5R22-2Y11-100	PART	螺絲	bolt	1	M3X0.5
27	M5K43-2730-000	PART	小鋼珠	Steel ball	2	φ4
26	M5K43-2351-000	PART	彈簧	Spring	2	Pitch 0.85
25	M5K41-2310-000	PART	襯墊	Liner	2	064622
24	M5GST2DE308H100	PART	氣用內管	Stanchion	1	
23	M5GST2DA308H100	PART	油用內管	Stanchion	1	
22	M5GFRU15-1100	PART	12' FIRST 15外管	RAXXON Casting	1	P130 φ32
21	M5GCRC-FCZA2000	PART	12' FIRST 30_15噴嘴	Crown	1	
20	M5GBHCCCC1-I	PART	油封	Oil seal	2	
19	M5GBH8ADF-U	PART	上襯套	Bush	2	
18	M5GBH8ADF-D	PART	下襯套	Bush	2	
17	M5GAE8TN38	PART	鎖死螺絲	OCR KNOBS	1	073060
16	M5GAE9DA183	PART	氣筒蓋	Air Cap	1	TBD
15	M5GAE9CS27-1	PART	OCR鎖死調整垫片	shim	1	073059-01
14	M5GAE9AZ034	PART	回彈調整螺絲	Rebound knob	1	
13	M5GAE8JB027	PART	外管徑	Bottom-out spacer	1	20(18)L
12	M5GAC9-1004	PART	六角螺絲	HEX Bolts	1	M3X0.5X10L
11	M5GAC8-0731	PART	鎖式固定夾	Wire Clip	1	For M3x0.5
10	M5GAC6002	PART	圓錐六角螺絲(NYSEAL)	bolt(NYSEAL)	1	M5X0.8X15L
9	M5GAC06010	PART	六角螺絲	Bolt	1	
8	M5GAC00212	PART	固定螺絲	Bolt	1	
7	H5GDPEAK30B-1	ASSEMBLY	鎖死螺絲	lock-out Assembly	1	
6	H5GDPBD26	ASSEMBLY	F1活瓣組	Air piston	1	
5	H5GDPOAD265-3	ASSEMBLY	活瓣彈簧組	Rebound Assembly	1	
4	H5GAECMA-265-1	ASSEMBLY	固定螺絲	Fixed Guide	1	
3	H5GAECJA215	ASSEMBLY	復力膠下壓組	Compression Rod Assembly	1	
2	H5GAC00211	ASSEMBLY	15軸心	15 OR Axle	1	
1	I022A-02515	PART	螺絲	Bolt	1	M2.5X0.45X15L
NO	PART NO	TYPE	CHINESE NAME	ENGLISH NAME	QTY	NOTE

Bill of material

MATERIAL	ASSEMBLY	Q'TY	1	MODEL	14' FIRST 30-15 AIR(120)		
UNIT	MM	SCALE	0.500	DRAW NO	PGE017FG-	rev.	1.0
FASHING	TREAT			NAME	爆炸圖		
DESIGN	DRAWING	CHECK	CONFIG	APPE	RST		