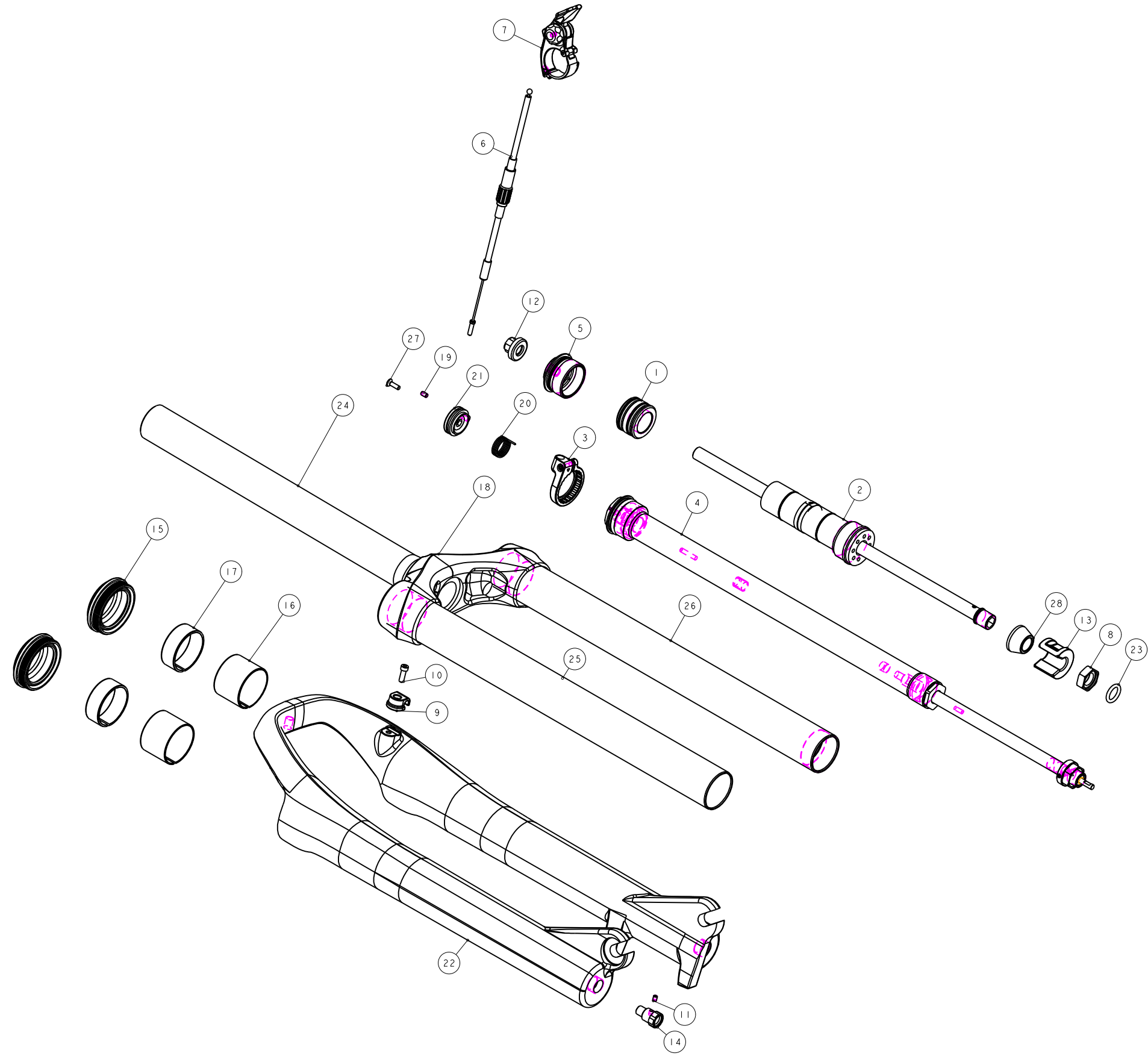


機械加工尺寸一般容許公差					REV.	DATE	DESCRIPTION	CHANGER	CHECK
尺寸	長寬高	尺寸	孔徑	軸徑					
1 <= 10	±0.2	1 <= 10	+0.2 -0.3	+0.2 -0.2					
10.001 <= 100	±0.3	10.001 <= 100	+0.3 -0.4	+0.3 -0.3					
100.001 <= 250	±0.5	100.001 <= 250	+0.5 -0.6	+0.5 -0.5					
250.001 <= 500	±0.8	250.001 <= 500	+0.8 -1.0	+0.8 -1.0					
500 <	±1.3	500 <	+1.3 -1.5	+1.3 -1.5					



備註：此圖面共用下列成品品號  
除優力膠下座組須依表替換外，其餘零件皆共用

項目	成品品號	優力膠下座組替換品號	規格說明
1	PGE0539F-	H5GAEHA287-1	無軸·總高49.5mm·行程10.0mm
2	PGE0539E-	H5GAEHA287-2	無軸·總高47.5mm·行程8.0mm

28	M5S32-2310-000	PART	緩衝墊	Top-Out Bumper	1	φ21.5X11.5
27	M5R22-2Y11-100	PART	螺絲小螺絲	bolt	1	M3X0.5
26	M5GST2EE329H100	PART	輕量內管(氣邊)		1	328.6L
25	M5GST2EA329H200	PART	輕量內管(下無牙)		1	328.6L
24	M5GRT9A300	PART	轉向管(輕量)	Steerer	1	
23	M5GOR8-240-1080	PART	O-RING	O-Ring	1	
22	M5GFRED2-1200	PART	650B無軸外管	RAXXON Coasting	1	P130 φ32
21	M5GDPAK03	PART	總控旋轉鈕	Turn Base	1	8h
20	M5GDP7ARL-020	PART	鉤簧	Corkscrew Coil Spring	1	20h
19	M5GDP7ARL-013	PART	止付螺絲	Grub screw	1	M3X5L
18	M5GCRE-FDZAJ000	PART	130頭管座 0.6	Crown	1	
17	M5GBHCAEA-U	PART	上襯套(鋁)	Up Bushing	2	
16	M5GBHCAEA-D	PART	下襯套(鋁)	Lower Bushing	2	
15	M5GBH8CEC1	ASSEMBLY	油封		2	TBD
14	M5GAECBA010	PART	OCRC 回彈調整旋鈕		1	
13	M5GAE9JP131	PART	外管座	Bottom-out spacer	1	
12	M5GAE9DA183	PART	氣閘蓋	Air Cap	1	TBD
11	M5GACC0930-01	PART	止付螺絲	Grub screw	1	M3X4L
10	M5GAC9-1004	PART	圓筒內六角螺絲	HEX Bolts	1	M3X0.5X10L
9	M5GAC8-0731	PART	錯式固定夾	Wire Clip	1	For M3x0.5
8	M5GAC66	PART	六角杯型螺帽	Nut	1	M5X0.8xφ8mm
7	H5GDPDARI	ASSEMBLY	TRL 撥桿組(可鎖式)	Tiny Remote Lockout	1	
6	H5GDPDAK08	ASSEMBLY	高級TRL外線組(500L)	Remote Outline Assembly	1	
5	H5GDPCC245	ASSEMBLY	輕量氣閘空組		1	
4	H5GDPCCBE322-2	ASSEMBLY	OCRC油壓棒		1	
3	H5GDP8ARL6	ASSEMBLY	08'RL扣環組(高級)	Remote Outline Base	1	
2	H5GAEHA287-1	ASSEMBLY	輕量版優力膠下座組		1	
1	H5GAEOLP32	ASSEMBLY	活塞組	Air Piston	1	

Bill of material									
MATERIAL	ASSEMBLY	Q'TY	1	MODEL	14'CHAMP 650B_TRL(80/100)				
UNIT	MM	SCALE	0.600	DRAW NO	PGE0539F- rev. 1.0				
FASHING	TREAT			NAME	爆炸圖				
DESIGN	DRAWING	CHECK	CONFIG	APPE	RST				