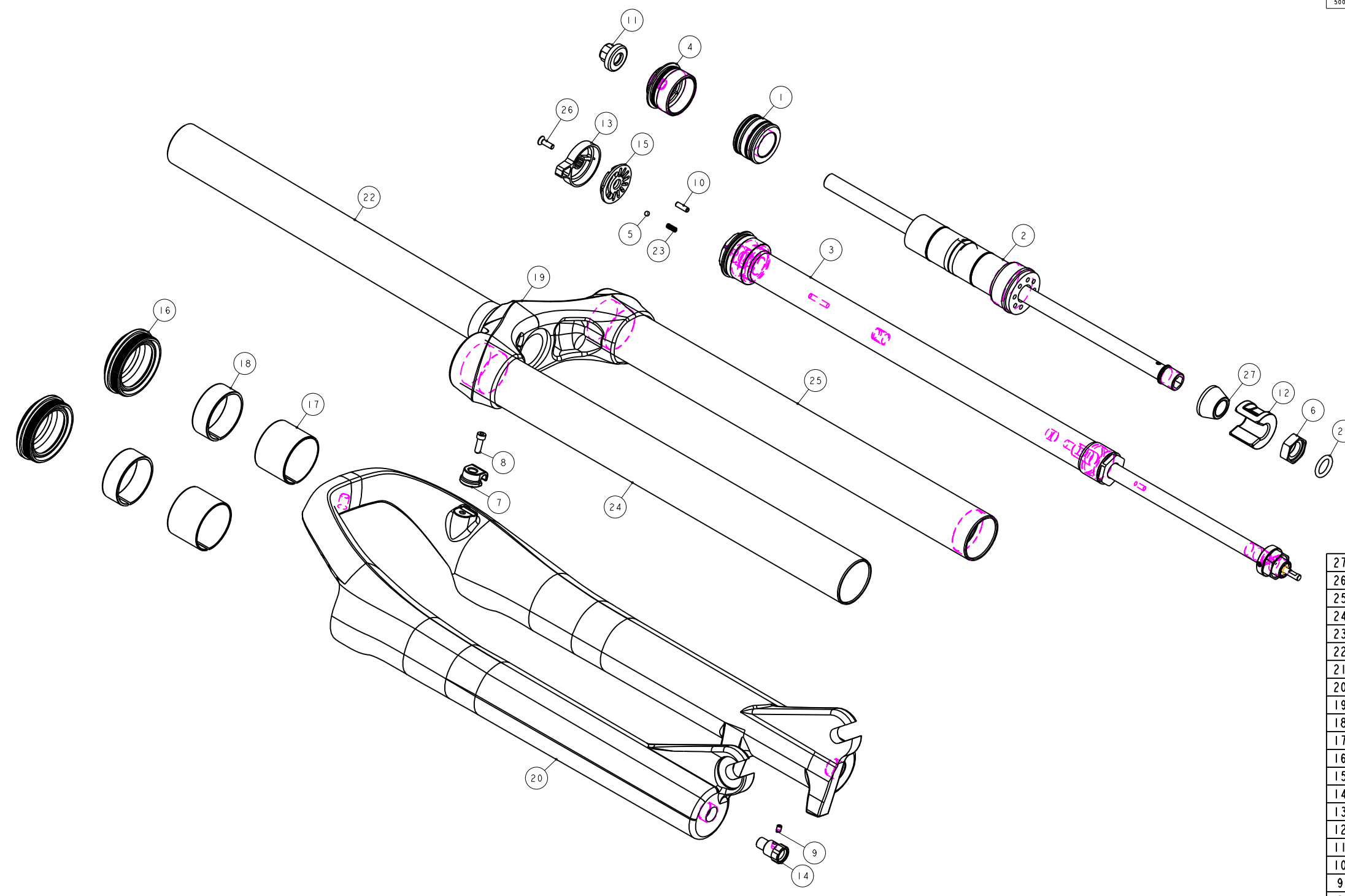


機械加工尺寸一般容許公差					REV.	DATE	DESCRIPTION	CHANGER	CHECK
尺寸	長度	尺寸	孔徑	軸徑					
1 < 10	±0.2	1 < 10	+0.2 -0.2	+0.2 -0.2					
10.001 < 100	±0.3	10.001 < 100	+0.3 -0.3	+0.3 -0.3					
100.001 < 250	±0.5	100.001 < 250	+0.5 -0.5	+0.5 -0.5					
250.001 < 500	±0.8	250.001 < 500	+1.0 -1.0	+1.0 -1.0					
500 <	±1.3	500 <	+1.5 -1.5	+1.5 -1.5					



備註：此圖面共用下列成品品號
除優力膠下座組須依表替換外，其餘零件皆共用

項目	成品品號	優力膠下座組替換品號	規格說明
1	PGE053FF	H5GAEHA287-1	無軸·總高49.5mm·行程10.0mm
2	PGE053FE	H5GAEHA287-2	無軸·總高47.5mm·行程8.0mm

27	M5S32-2310-000	PART	緩衝墊	Top-Out Bumper	1	φ21.5x11.5
26	M5R22-2Y11-100	PART	埋頭小螺絲	bolt	1	M3X0.5
25	M5GST2EE329H100	PART	輕量內管(氣邊)		1	328.6L
24	M5GST2EA329H200	PART	輕量內管(下無牙)		1	328.6L
23	M5GSPC2007-013	PART	彈簧	Spring	1	0.32x2.9x7
22	M5GRT9A300	PART	轉向管(輕量)	Steerer	1	
21	M5GOR8-240-1080	PART	O-RING	O-Ring	1	
20	M5GFRED2-1200	PART	650B無軸外管	RAXXON Casting	1	P130 φ32
19	M5GCRE-FDZAJ000	PART	130頭管座 0.6	Crown	1	
18	M5GBHCAEA-U	PART	上襯套(鋁)	Up Bushing	2	
17	M5GBHCAEA-D	PART	下襯套(鋁)	Lower Bushing	2	
16	M5GBH8CEC1	ASSEMBLY	油封		2	TBD
15	M5GAECES274	PART	鎖死調整座墊片	shim	1	073059-01
14	M5GAECBA010	PART	OCRC 回彈調整旋鈕		1	
13	M5GAE9J131	PART	鎖死調整座	OCR KNOBS	1	073060
12	M5GAE9DA183	PART	外管座	Bottom-out spacer	1	
11	M5GAE9DA183	PART	氣閥蓋	Air Cap	1	TBD
10	M5GAC1109-01	PART	定位銷		1	3.5x9.5
9	M5GACC0930-01	PART	止付螺絲	Grub screw	1	M3X4L
8	M5GAC9-1004	PART	圓頭內六角螺絲	HEX Bolts	1	M3X0.5X10L
7	M5GAC8-0731	PART	鎖式固定夾	Wire Clip	1	For M3x0.5
6	M5GAC66	PART	六角杯型螺帽	Nut	1	M5X0.8x10mm
5	M5FLX-2730-000	PART	鋼珠	Steel ball	1	TBD
4	H5GDPCC245	ASSEMBLY	輕量氣閥座組		1	
3	H5GDPCCBE322-2	ASSEMBLY	OCRC油壓棒		1	
2	H5GAEHA287-1	ASSEMBLY	輕量版優力膠下座組		1	
1	H5GAEOLP32	ASSEMBLY	活塞組	Air Piston	1	
NO	PART NO	TYPE	CHINESE NAME	ENGLISH NAME	QTY	NOTE

Bill of material

MATERIAL	ASSEMBLY	QTY	1	MODEL	14'CHAMP 650B(80/100)	
UNIT	MM	SCALE	0.700	DRAW NO	PGE053FF	rev. 1.0
FASHING		TREAT		NAME	爆炸圖	
DESIGN	DRAWING	CHECK	CONFIG	APPE	RST	