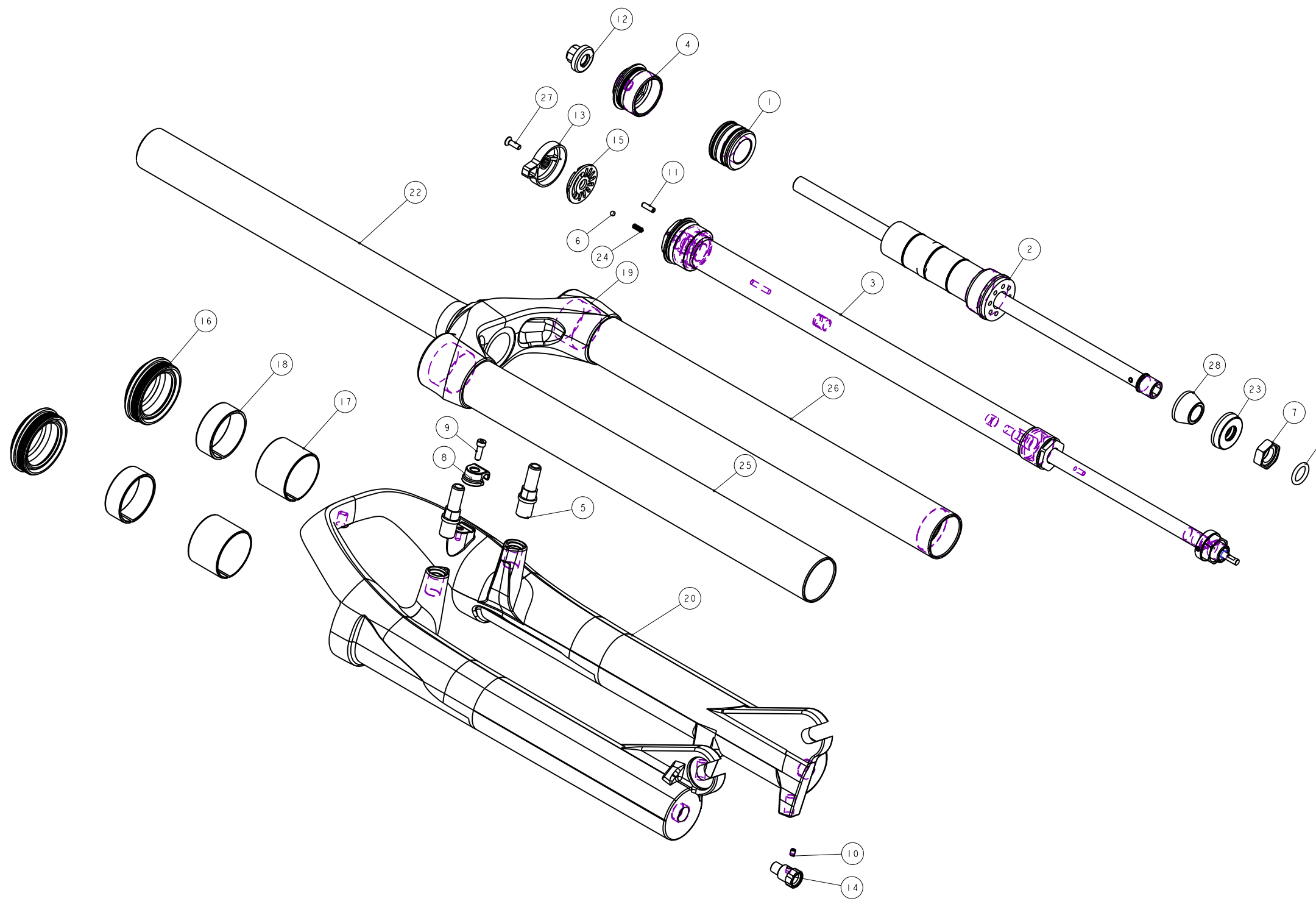


機械加工尺寸一般容許公差					REV.	DATE	DESCRIPTION	CHANGER	CHECK
尺寸	長度	尺寸	孔徑	軸徑					
1 <= 10	±0.2	1 <= 10	+0.2	+0.2					
10.001 <= 100	±0.3	10.001 <= 100	+0.3	+0.3					
100.001 <= 250	±0.5	100.001 <= 250	+0.5	+0.5					
250.001 <= 500	±0.8	250.001 <= 500	+1.0	+1.0					
500 <	±1.3	500 <	+1.5	+1.5					



備註：此圖面與下列成品品號共用
 除外管與優力膠下座組須依表更換外，其餘零件皆共用

項目	成品品號	外管替換品號	優力膠下座組替換品號	規格說明
1	PGE050FG-	M5GFRKI-0200	H5GAECHA297	有軸·總高500mm·行程120mm
2	PGE050FF-	M5GFRKI-0200	H5GAECHA297-1	有軸·總高480mm·行程100mm
3	PGE050FE-	M5GFRKI-0200	H5GAECHA297-2	有軸·總高460mm·行程80mm
4	PGE051FG-	M5GFRKI-1200	H5GAECHA297	無軸·總高500mm·行程120mm
5	PGE051FF-	M5GFRKI-1200	H5GAECHA297-1	無軸·總高480mm·行程100mm
6	PGE051FE-	M5GFRKI-1200	H5GAECHA297-2	無軸·總高460mm·行程80mm

28	M5S32-2310-000	PART	緩衝墊	Top-Out Bumper	1	Φ21.5X11.5
27	M5R22-2Y11-100	PART	埋頭小螺絲	bolt	1	M3X0.5
26	M5GST2EE329H100	PART	輕量內管(氣邊)		1	328.6L
25	M5GST2EA329H200	PART	輕量內管(下無牙)		1	328.6L
24	M5GSPC2007-013	PART	彈簧	Spring	1	0.32x2.9x7
23	M5GSPB-5006-2	PART	緩衝墊	Top-Out Bumper	1	Φ24X10.5X6L
22	M5GRT9A300	PART	轉向管(輕量)	Steerer	1	
21	M5GOR8-240-1080	PART	O-RING	O-Ring	1	
20	M5GFRKI-0200	PART	外管	ON Casting	1	PI30 Φ32
19	M5GCRC-FDZA2000	PART	管座	Crown	1	
18	M5GBHCAEA-U	PART	上襯套(鋁)	Up Bushing	2	
17	M5GBHCAEA-D	PART	下襯套(鋁)	Lower Bushing	2	
16	M5GBH8CECI	ASSEMBLY	油封		2	TBD
15	M5GAECSS274	PART	鎖死調整座墊片	shim	1	073059-01
14	M5GAECBA010	PART	鎖死調整座	OCR CROWN	1	
13	M5GAEBTN38-1	PART	鎖死調整座	OCR KNOBS	1	073060
12	M5GAE9DA183	PART	氣閘蓋	Air Cap	1	TBD
11	M5GACCI109-01	PART	定位銷		1	3.5x9.5
10	M5GACC0930-01	PART	止付螺絲	Grub screw	1	M3X4L
9	M5GAC9-1004	PART	圓頭內六角螺絲	HEX Bolts	1	M3X0.5X10L
8	M5GAC8-0731	PART	鎖式固定夾	Wire Clip	1	For M3x0.5
7	M5GAC66	PART	六角杯型螺帽	Nut	1	M5X0.8x11mm
6	M5FLX-2730-000	PART	鋼珠	Steel ball	1	TBD
5	M5FKD-2723-000	PART	煞車軸	pivot	2	M10X1.25
4	H5GDPCCC245	ASSEMBLY	輕量氣閘座組		1	
3	H5GDPBCE322-2	ASSEMBLY	OCRC油壓棒		1	
2	H5GAECHA297	ASSEMBLY	輕量優力膠下座組		1	
1	H5GAOLP32	ASSEMBLY	活塞組	Air Piston	1	

Bill of material

MATERIAL	ASSEMBLY	Q'TY	SCALE	MODEL	14'CHAMP 32 AIR(80/100/120)		
UNIT	MM		0.700	DRAW NO	PGE050FG-	rev.	1.0
FASHING	TREAT			NAME	爆炸圖		
DESIGN	DRAWING	CHECK	CONFIG	APPE	RST		