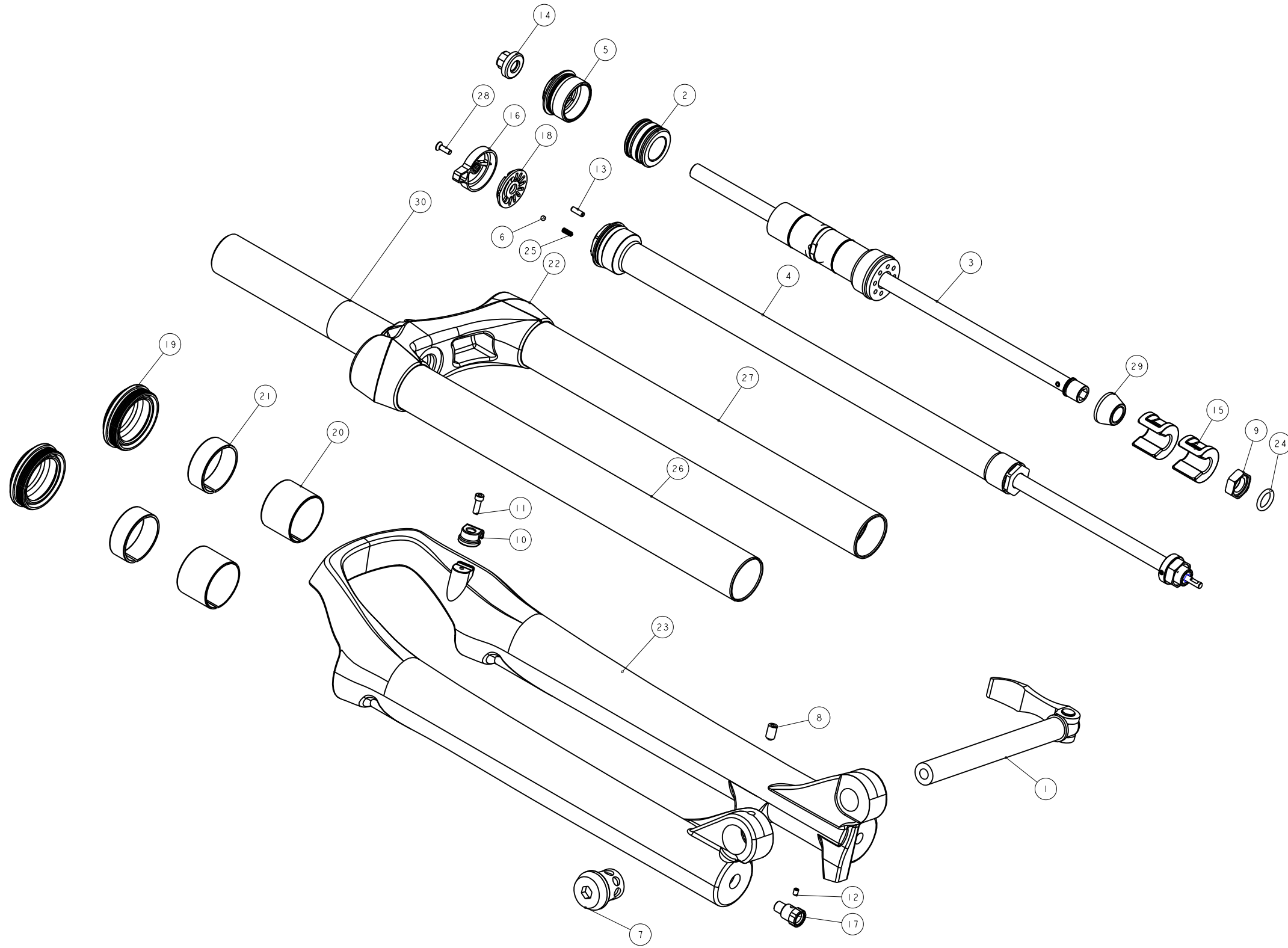


| 機械加工尺寸一般容許公差 | | | | | REV. | DATE | DESCRIPTION | CHANGER | CHECK |
|----------------|------|----------------|--------------|--------------|------|------|-------------|---------|-------|
| 尺寸 | 長度 | 尺寸 | 孔徑 | 軸徑 | | | | | |
| 1 <= 10 | ±0.2 | 1 <= 10 | +0.2 -0.2 | +0.2 -0.2 | | | | | |
| 10.001 <= 100 | ±0.3 | 10.001 <= 100 | +0.3 -0.3 | +0.3 -0.3 | | | | | |
| 100.001 <= 250 | ±0.5 | 100.001 <= 250 | +0.5 -0.5 | +0.5 -0.5 | | | | | |
| 250.001 <= 500 | ±0.8 | 250.001 <= 500 | +1.0 -1.0 | +1.0 -1.0 | | | | | |
| 500 < | ±1.3 | 500 < | +1.5 -1.5 | +1.5 -1.5 | | | | | |



備註：此圖面與下列成品品號共用
除優力膠下座組須依表替換外，其餘零件皆共用

| 項目 | 成品品號 | 優力膠下座組替換品號 | 規格說明 |
|----|-----------|---------------|--------------------|
| 1 | PGE054FG- | H5GAECHA327 | 無軸·總高530mm·行程120mm |
| 2 | PGE054FF- | H5GAECHA327-1 | 無軸·總高510mm·行程100mm |
| 3 | PGE054FE- | H5GAECHA327-2 | 無軸·總高490mm·行程80mm |

| | | | | | | |
|----|-----------------|----------|-----------------|-------------------|---|--------------|
| 30 | MFBV-286-900 | PART | 轉向管 | | 1 | 備註 |
| 29 | M5S32-2310-000 | PART | 緩衝墊 | Top-Out Bumper | 1 | Ø21.5X11.5 |
| 28 | M5R22-2Y11-100 | PART | 埋頭小螺絲 | bolt | 1 | M3X0.5 |
| 27 | M5GST2EE329H100 | PART | 輕量內管(氣邊) | | 1 | 328.6L |
| 26 | M5GST2EA329H200 | PART | 輕量內管(下無牙) | | 1 | 328.6L |
| 25 | M5GSPC2007-013 | PART | 彈簧 | Spring | 1 | 0.32x2.9x7 |
| 24 | M5GOR8-240-1080 | PART | O-RING | O-Ring | 1 | |
| 23 | M5GFRJCS-1200 | PART | 29-15 外管(三大) | | 1 | 2本 |
| 22 | M5GCRC1FDZA2000 | PART | 29 FIRST 29 頭管座 | Crown | 1 | |
| 21 | M5GBHCAEA-U | PART | 上襯套(鋁) | Up Bushing | 2 | |
| 20 | M5GBHCAEA-D | PART | 下襯套(鋁) | Lower Bushing | 2 | |
| 19 | M5GBH8CEC1 | ASSEMBLY | 油封 | | 2 | TBD |
| 18 | M5GAECSS274 | PART | 鎖死調整座墊片 | shim | 1 | 073059-01 |
| 17 | M5GAECBA010 | PART | OCRC 回彈調整旋鈕 | | 1 | |
| 16 | M5GAEBTN38-1 | PART | 鎖死調整座 | OCR KNOBS | 1 | 073060 |
| 15 | M5GAE9JP131 | PART | 外管座 | Bottom-out spacer | 2 | |
| 14 | M5GAE9DA183 | PART | 氣閥蓋 | Air Cap | 1 | TBD |
| 13 | M5GACCI109-01 | PART | 定位銷 | | 1 | 3.5x9.5 |
| 12 | M5GACC0930-01 | PART | 止付螺絲 | Grub screw | 1 | M3X4L |
| 11 | M5GAC9-1004 | PART | 圓頭內六角螺絲 | HEX Bolts | 1 | M3X0.5X10L |
| 10 | M5GAC8-0731 | PART | 鎖式固定夾 | Wire Clip | 1 | For M3x0.5 |
| 9 | M5GAC66 | PART | 六角杯型螺帽 | Nut | 1 | M5X0.8六角杯8mm |
| 8 | M5GAC06010 | PART | 迫緊螺絲 | Bolt | 1 | |
| 7 | M5GAC00212 | PART | 固定螺 | Bolt | 1 | |
| 6 | M5FLX-2730-000 | PART | 鋼珠 | Steel ball | 1 | TBD |
| 5 | H5GDPCC245 | ASSEMBLY | 輕量氣閥座組 | | 1 | |
| 4 | H5GDPCE322-1 | ASSEMBLY | OCRC油壓棒 | | 1 | |
| 3 | H5GAECHA327 | ASSEMBLY | 輕量優力膠下座組 | | 1 | |
| 2 | H5GAEOLP32 | ASSEMBLY | 活塞組 | Air Piston | 1 | |
| 1 | H5GAC00211 | ASSEMBLY | 15軸心 | 15 OR Axle | 1 | |

Bill of material

| MATERIAL | ASSEMBLY | Q'TY | UNIT | SCALE | MODEL | 14'CHAMP 29.15 AIR(80/100/120) |
|----------|----------|------|------|-------|---------|--------------------------------|
| | | 1 | | 0.700 | | |
| | | | | | DRAW NO | PGE054FG- rev. 1.0 |
| | | | | | NAME | 爆炸圖 |
| | | | | | | RST |