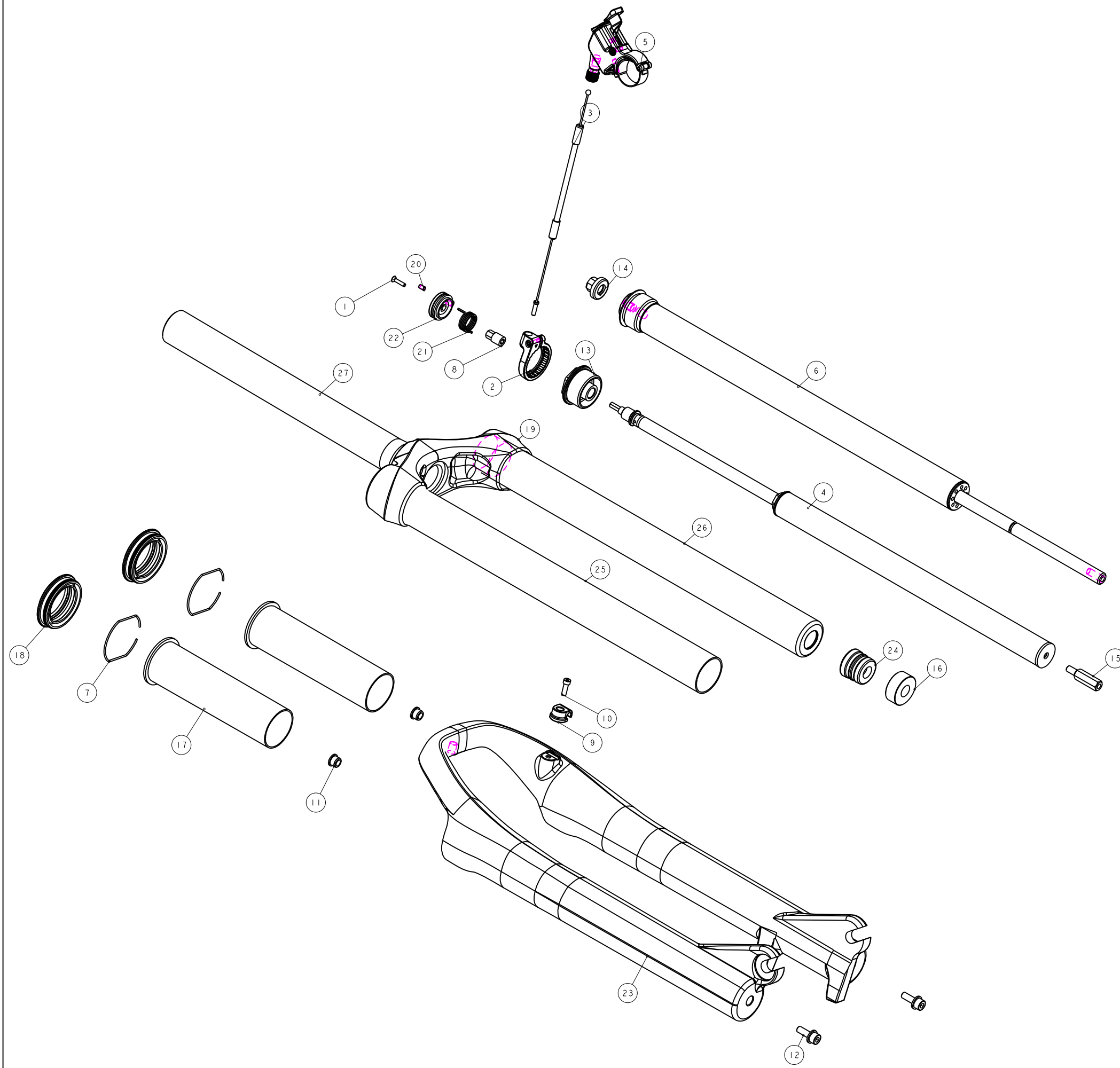


機械加工尺寸一般容許公差					REV.	DATE	DESCRIPTION	CHANGER	CHECK
尺寸	長寬高	尺寸	孔徑	軸徑	△	07 MAY'13	M5GAEMB10-1→ M5GAEEJP10	許晉盛	
1 < 10	±0.2	1 < 10	+0.2 -0.2	+0.2 -0.2					
10.001 < 100	±0.3	10.001 < 100	+0.3 -0.3	+0.3 -0.3					
100.001 < 250	±0.5	100.001 < 250	+0.5 -0.5	+0.5 -0.5					
250.001 < 500	±0.8	250.001 < 500	+1.0 -1.0	+1.0 -1.0					
500 <	±1.3	500 <	+1.5 -1.5	+1.5 -1.5					



品號	氣壓棒	規格說明
PGE093CH	H5GDPCDC29-5	無軸 標準頭管徑 行程130mm 總高525mm
PGE093CG	H5GDPCDC29-2	無軸 標準頭管徑 行程120mm 總高515mm
PGE093CF	H5GDPCDC29-3	無軸 標準頭管徑 行程100mm 總高495mm
PGE093CE	H5GDPCDC29-4	無軸 標準頭管徑 行程80mm 總高475mm

27	MFBV-286-700	PART	轉向管	Sleerer	1	040550
26	M5GSTAE1345B100	PART	內管	Stanchion	1	Φ32x345L-#
25	M5GSTAE0345B100	PART	內管	Stanchion	1	Φ32x345L-#
24	M5GSPB-401-5	PART	緩衝墊	Top-Out Bumper	1	Φ24X20LX50#
23	M5GFRED3-1000	PART	650B無軸外管	RAXXON Casting	1	P130 Φ32
22	M5GDPAK03	PART	總控旋轉鈕	Turn Base	1	8h
21	M5GDP7ARL-020	PART	錯簧	Corkscrew Coil Spring	1	20h
20	M5GDP7ARL-013	PART	止付螺絲	Grub screw	1	M3X5L
19	M5GCRE-FDZAJ000	PART	130噴管 0.6	Crown	1	
18	M5GBHBAEC1	ASSEMBLY	油封	OIL SEAL	2	TBD
17	M5GBHOAE-1	PART	長接噴嘴套	Bushing(plastic)	2	125L
16	M5GAEEJP10	PART	外管徑	Bottom-Out Spacer	1	
15	M5GAE9L023	PART	螺絲桿	Shank	1	M5X0.8
14	M5GAE9DA183	PART	氣壓蓋	Air Cap	1	TBD
13	M5GAE0DA29	PART	RA固定座	DT anchorage	1	M29Φ1.0
12	M5GACC0617-01	PART	圓筒內六角螺絲	bolt	2	M5X15L
11	M5GACC0603-01	PART	轉接座	ADAPTER	2	
10	M5GAC9-1004	PART	圓筒內六角螺絲	HEX Bolts	1	M3X0.5X10L
9	M5GAC8-0731	PART	鎖式固定夾	Wire Clip	1	For M3x0.5
8	M5GAC8-0404	PART	導套	Switch Stand	1	14.8L
7	M5FHJ-2Y70-300	PART	C型扣環	CTW	2	TBD
6	H5GDPCDC29-5	ASSEMBLY	氣壓棒	AIR CARTRIDGE	1	
5	H5GDPCBR1	ASSEMBLY	2012年一般撥桿組	Remote control Assembly	1	
4	H5GDPCBK14	ASSEMBLY	TNL鎖死棒(120)	Travel lock-out Cartridge	1	行程120
3	H5GDPCARL3-1	ASSEMBLY	12'RL無軸線外線組	Remote Outline Assembly	1	
2	H5GDP8ARL6	ASSEMBLY	08'RL扣環組(高級)	Remote Outline Base	1	
1	1022A-02512C-B	PART	六角承窩螺絲(黑)	HEX BOLT	1	M2.5x0.45
NO	PART NO	TYPE	CHINESE NAME	ENGLISH NAME	QTY	NOTE

Bill of material						
MATERIAL	ASSEMBLY	QTY	1	MODEL	14'AERIAL 650B RL(80/100/120/130)	
UNIT	MM	SCALE	0.650	DRAW NO	PGE093CH	rev. B
FASHING		TREAT		NAME	爆炸圖	
DESIGN	DRAWING	CHECK	CONFIG	APPE	RST	