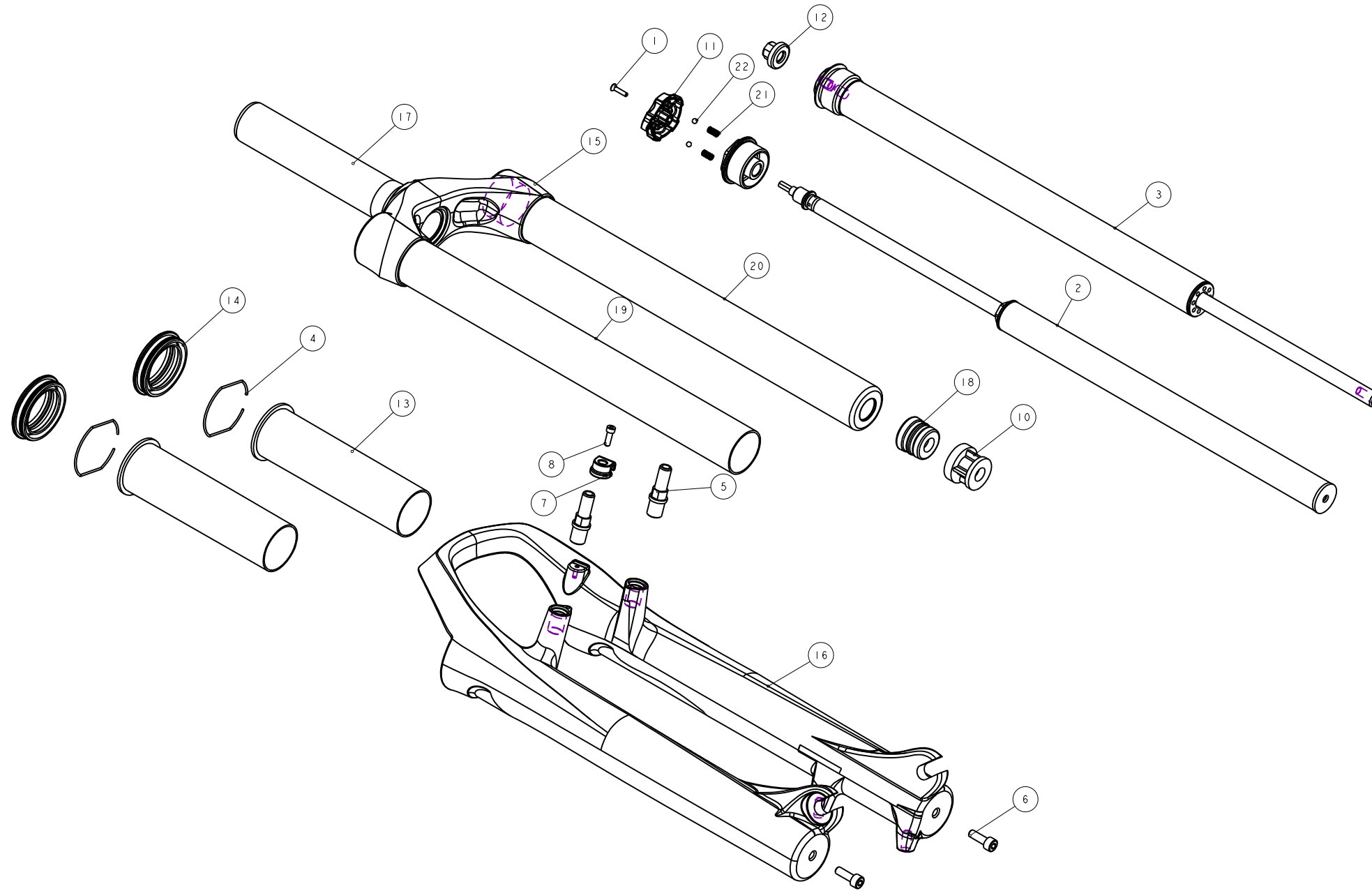


機械加工尺寸一般容許公差					REV.	DATE	DESCRIPTION	CHANGER	CHECK
尺寸	長度	尺寸	孔徑	軸徑					
1 <= 10	±0.2	1 <= 10	+0.2 -0.2	+0.2 -0.2					
10.001 <= 100	±0.3	10.001 <= 100	+0.3 -0.3	+0.3 -0.3					
100.001 <= 250	±0.5	100.001 <= 250	+0.5 -0.5	+0.5 -0.5					
250.001 <= 500	±0.8	250.001 <= 500	+1.0 -1.0	+1.0 -1.0					
500 <	±1.3	500 <	+1.5 -1.5	+1.5 -1.5					



品號	外管替換料件	煞車軸	氣壓棒	差異性
PGE085BG-	M5GFRH11-0000	M5FKD-2723-000	H5GDPCDC32-1	有軸 行程120
PGE085BF-		M5FKD-2723-000	H5GDPCDC32-2	有軸 行程100
PGE085BE-		M5FKD-2723-000	H5GDPCDC32-3	有軸 行程80
PGE095BG-	M5GFRH11-1000	不使用	H5GDPCDC32-1	無軸 行程120
PGE095BF-		不使用	H5GDPCDC32-2	無軸 行程100
PGE095BE-		不使用	H5GDPCDC32-3	無軸 行程80

22	M5K43-2730-000	PART	小鋼珠	Steel ball	2	Φ4
21	M5K43-2351-000	PART	彈簧	Spring	2	Pitch 0.85
20	M5GSTAE1325B100	PART	內管	Stanchion	1	Φ32x325L-Ⅱ
19	M5GSTAE0325B100	PART	內管	Stanchion	1	Φ32x325L-Ⅱ
18	M5GSPB-401-5	PART	緩衝墊	Top-Out Bumper	1	Φ24x20Lx50mm
17	M5GRTBA260	ASSEMBLY	轉向管	Steerer	1	
16	M5GFRH11-0000	PART	11" SATURN外管加工	Casting	1	TBD
15	M5GCRC-FDZA2000	PART	12" FIRST 32嘴管徑	Crown	1	
14	M5GBHBAEC1	ASSEMBLY	油封	OIL SEAL	2	TBD
13	M5GBHOAEB-1	PART	長壁膠環墊	Bushing(plastic)	2	125L
12	M5GAE9DA183	PART	氣筒蓋	Air Cap	1	TBD
11	M5GAE8TZ-2	PART	鎖死旋鈕	lock out adjust cap	1	
10	M5GAE8JB027	PART	外管徑	Bottom-out spacer	1	20(18)L
9	M5GAE0DA29	PART	RA固定座	DT anchorage	1	M29*1.0
8	M5GAC9-1004	PART	圓頭內六角螺絲	HEX Bolts	1	M3X0.5X10L
7	M5GAC8-0731	PART	鎖式固定夾	Wire Clip	1	For M3x0.5
6	M5GAC6002	PART	圓頭內六角螺絲(NYSEAL)	bolt(NYSEAL)	2	M5X0.8X15L
5	M5FKD-2723-000	PART	煞車軸	pivot	2	M10X1.25
4	M5FHJ-2Y70-300	PART	C型扣環	CTW	2	TBD
3	H5GDPCDC32-1	ASSEMBLY	氣壓棒	AIR CARTRIDGE	1	
2	H5GDPCBK14	ASSEMBLY	TNL鎖死棒(120)	Travel lock-out Cartridge	1	行程120
1	1022A-02512C-B	PART	六角承螺絲(黑)	HEX BOLT	1	M2.5x0.45
NO	PART NO	TYPE	CHINESE NAME	ENGLISH NAME	QTY	NOTE

Bill of material						
MATERIAL	ASSEMBLY	Q'TY	1	MODEL	14'AERIAL 32 TNL(80/100/120)	
UNIT	MM	SCALE	0.600	DRAW NO	PGE085BG-	rev. 1.0
FASHING	TREAT			NAME	爆炸圖	
DESIGN	DRAWING	CHECK	CONFIG	APPE	RST	