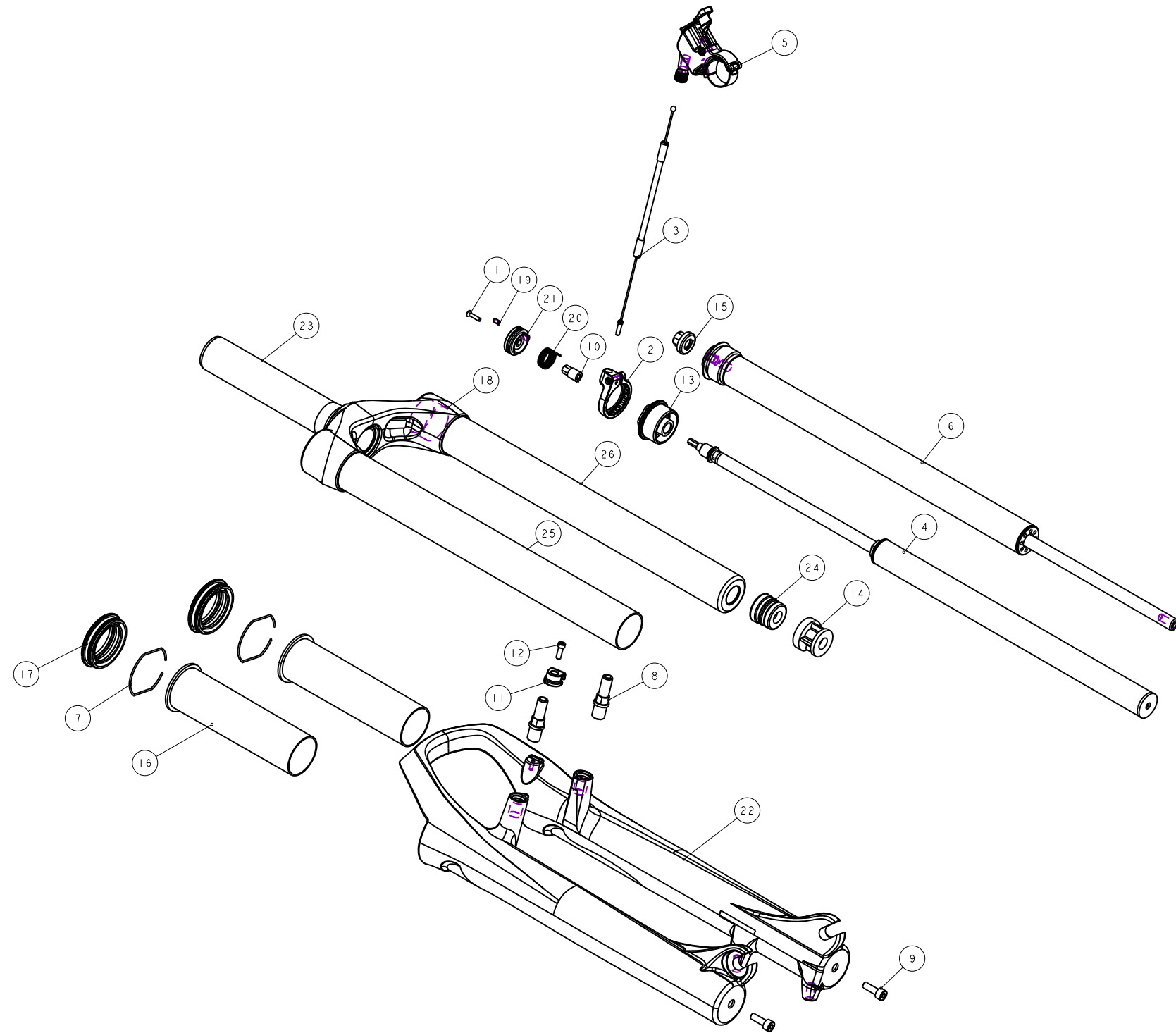


機械加工尺寸一般容許公差					REV.	DATE	DESCRIPTION	CHANGER	CHECK
尺寸	長度	尺寸	孔徑	軸徑					
1 <= 10	±0.2	1 <= 10	+0.2 -0.2	+0.2 -0.2					
10.001 <= 100	±0.3	10.001 <= 100	+0.3 -0.3	+0.3 -0.3					
100.001 <= 250	±0.5	100.001 <= 250	+0.5 -0.5	+0.5 -0.5					
250.001 <= 500	±0.8	250.001 <= 500	+1.0 -1.0	+1.0 -1.0					
500 <	±1.3	500 <	+1.5 -1.5	+1.5 -1.5					



品號	外管替換件	煞車軸	氣壓棒	差異性
PGE085CG-	M5GFRH11-0000	M5FKD-2723-000	H5GDPDCDC32-1	有軸 行程120
PGE085CF-		M5FKD-2723-000	H5GDPDCDC32-2	有軸 行程100
PGE085CE-		M5FKD-2723-000	H5GDPDCDC32-3	有軸 行程80
PGE095CG-	M5GFRH11-1000	不使用	H5GDPDCDC32-1	無軸 行程120
PGE095CF-		不使用	H5GDPDCDC32-2	無軸 行程100
PGE095CE-		不使用	H5GDPDCDC32-3	無軸 行程80

26	M5GSTAE1325B100	PART	內管	Stanchion	1	●32x325L-#
25	M5GSTAE0325B100	PART	內管	Stanchion	1	●32x325L-#
24	M5GSPB-401-5	PART	緩衝墊	Top-Out Bumper	1	●24X20LY50#
23	M5GRTBA260	ASSEMBLY	轉向管	Steerer	1	
22	M5GFRH11-0000	PART	11" SATURN 外管加工	Casting	1	TBD
21	M5GDPAK03	PART	旋控旋轉	Turn Base	1	8h
20	M5GDP7ARL-020	PART	彈簧	Corkscrew Coil Spring	1	20h
19	M5GDP7ARL-013	PART	止付螺絲	Grab screw	1	M3X5L
18	M5GCRC-FDZA2000	PART	12" FIRST32 噴嘴	Crown	1	
17	M5GBHBAEC1	ASSEMBLY	油封	OIL SEAL	2	TBD
16	M5GBHOAEB-1	PART	長型膠套	Bushing(plastic)	2	125L
15	M5GAE9DA183	PART	氣壓蓋	Air Cap	1	TBD
14	M5GAE8JB027	PART	外管座	Bottom-out spacer	1	20(18)L
13	M5GAE0DA29	PART	RA固定座	DI anchorage	1	M29*1.0
12	M5GAC9-1004	PART	六角內六角螺絲	HEX Bolts	1	M3X0.5X10L
11	M5GAC8-0731	PART	鐵式固定夾	Wire Clip	1	For M3x0.5
10	M5GAC8-0404	PART	螺絲	Switch Stand	1	14.8L
9	M5GAC6002	PART	六角內六角螺絲(NYSEAL)	bolts(NYSEAL)	2	M5X0.8X15L
8	M5FKD-2723-000	PART	煞車軸	pivot	2	M10X1.25
7	M5FHJ-2Y70-300	PART	C型螺絲	CTW	2	TBD
6	H5GDPDCDC32-1	ASSEMBLY	氣壓棒	AIR CARTRIDGE	1	
5	H5GDPBRI	ASSEMBLY	2012年一般遙控組	Remote control Assembly	1	
4	H5GDPBCK14	ASSEMBLY	TNL 螺絲(120)	Travel lock-out Cartridge	1	行程120
3	H5GDPBARI3-1	ASSEMBLY	12" RL 煞車軸外管組	Remote Outline Assembly	1	
2	H5GDPBARI6	ASSEMBLY	08" RL 加螺絲(高線)	Remote Outline Base	1	
1	1022A-02512C-B	PART	六角內六角螺絲(黑)	HEX BOLT	1	M2.5x0.45
NO	PART NO	TYPE	CHINESE NAME	ENGLISH NAME	QTY	NOTE

Bill of material						
MATERIAL	Assembly	Q'TY	1	MODEL	14" AERIAL 32 RL(80/100/120)	
UNIT	MM	SCALE	0.500	DRAW NO	PGE085CG-	rev. 1.0
FASHING	TREAT			NAME	爆炸圖	
DESIGN	DRAWING	CHECK	CONFIG	APPE	RST	