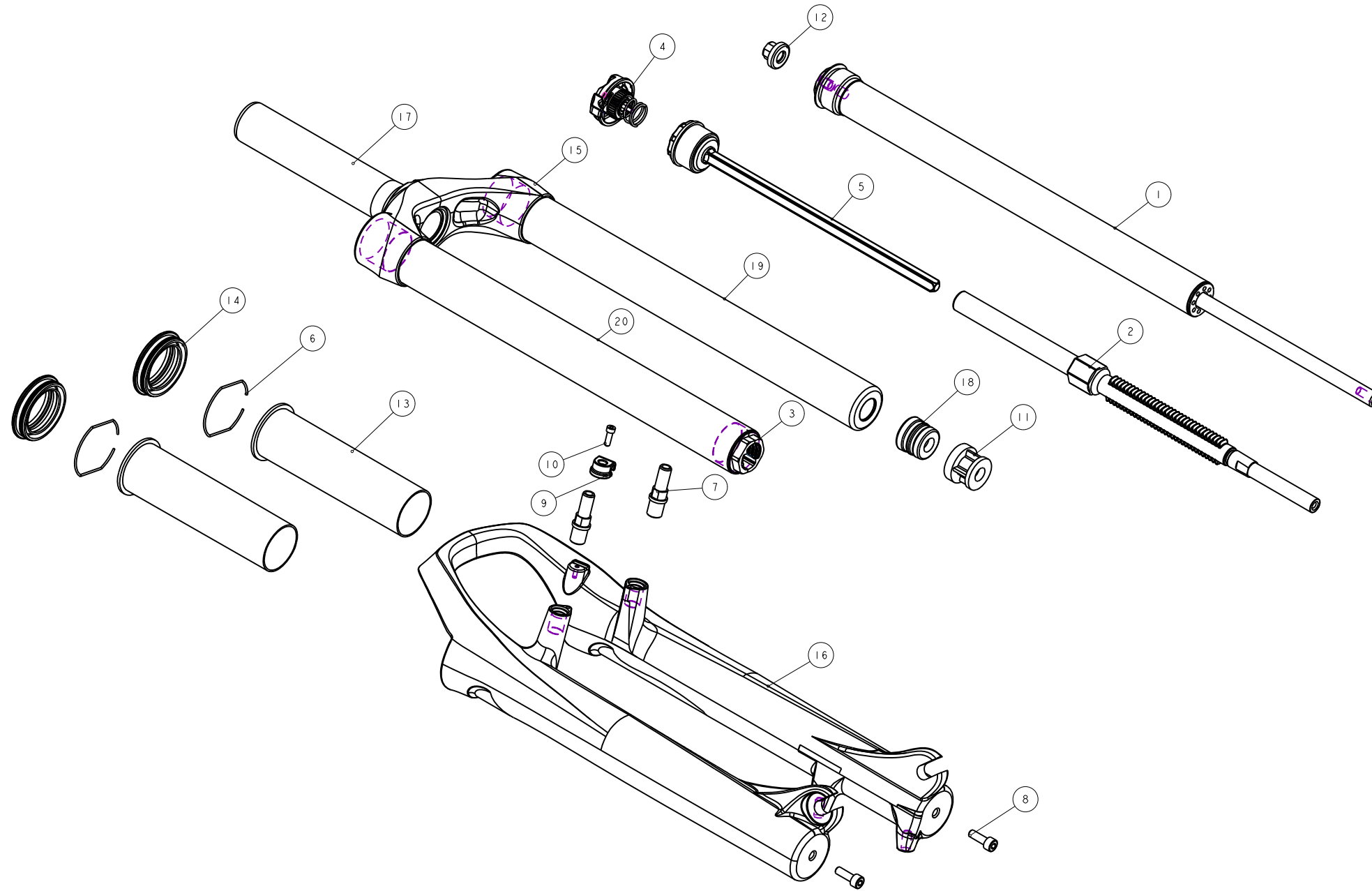


機械加工尺寸一般容許公差					REV.	DATE	DESCRIPTION	CHANGER	CHECK
尺寸	長寬高	尺寸	孔徑	軸徑					
1 <= 10	±0.2	1 <= 10	+0.2 -0.2	+0 -0					
10.001 <= 100	±0.3	10.001 <= 100	+0.3 -0.3	+0 -0					
100.001 <= 250	±0.5	100.001 <= 250	+0.5 -0.5	+0 -0					
250.001 <= 500	±0.8	250.001 <= 500	+1.0 -1.0	+0 -0					
500 <	±1.3	500 <	+1.5 -1.5	+0 -0					



品號	外管替換料件	煞車軸	氣壓棒	差異性
PGE085DG-	M5GFRH11-0000	M5FKD-2723-000	H5GDPCDC32-1	有軸 行程120
PGE085DF-		M5FKD-2723-000	H5GDPCDC32-2	有軸 行程100
PGE085DE-		M5FKD-2723-000	H5GDPCDC32-3	有軸 行程80
PGE095DG-	M5GFRH11-1000	不使用	H5GDPCDC32-1	無軸 行程120
PGE095DF-		不使用	H5GDPCDC32-2	無軸 行程100
PGE095DE-		不使用	H5GDPCDC32-3	無軸 行程80

20	M5GSTAE4325B100	PART	內管	Stanchion	1	Φ32X325L
19	M5GSTAE1325B100	PART	內管	Stanchion	1	Φ32x325L-#
18	M5GSPB-401-5	PART	緩衝墊	Top-Out Bumper	1	Φ24X20LX50#
17	M5GRTBA260	ASSEMBLY	轉向管	Steerer	1	
16	M5GFRH11-0000	PART	11" SATURN外管加工	Casting	1	TBD
15	M5GCRC-FDZA2000	PART	12" FIRST 32嘴管徑	Crown	1	
14	M5GBHBAEC1	ASSEMBLY	油封	OIL SEAL	2	TBD
13	M5GBHOAEB-1	PART	長壁膠環墊	Bushing(plastic)	2	125L
12	M5GAE9DA183	PART	氣筒蓋	Air Cap	1	TBD
11	M5GAE8JB027	PART	外管徑	Bottom-out spacer	1	20(18)L
10	M5GAC9-1004	PART	圓頭內六角螺絲	HEX Bolts	1	M3X0.5X10L
9	M5GAC8-0731	PART	鎖式固定夾	Wire Clip	1	For M3x0.5
8	M5GAC6002	PART	圓頭內六角螺絲(NYSEAL)	bolts(NYSEAL)	2	M5X0.8X15L
7	M5FKD-2723-000	PART	煞車軸	pivot	2	M10X1.25
6	M5FHJ-2Y70-300	PART	C型封環	CTW	2	TBD
5	H5GMLC-009-200	ASSEMBLY	調整棒組	Fixed Guide Assembly	1	
4	H5GMLC-007-286	ASSEMBLY	旋轉蓋組	Cap Assembly	1	
3	H5GML-009-32	ASSEMBLY	鎖死內管下座	Lock-Out Spacer	1	TBD
2	H5GML-005-72-1	ASSEMBLY	齒輪棒組(含外管徑)	Hypoid Assembly	1	
1	H5GDPCDC32-1	ASSEMBLY	氣壓棒	AIR CARTRIDGE	1	
NO	PART NO	TYPE	CHINESE NAME	ENGLISH NAME	QTY	NOTE

Bill of material						
MATERIAL	ASSEMBLY	Q'TY	1	MODEL	14" AERIAL 32 ML(80/100/120)	
UNIT	MM	SCALE	0.600	DRAW NO	PGE085DG-	rev. 1.0
FASHING	TREAT			NAME	爆炸圖	
DESIGN	DRAWING	CHECK	CONFIG	APPE	RST	